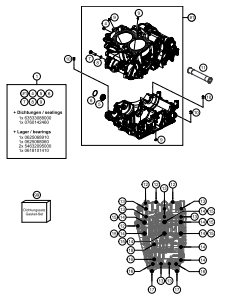
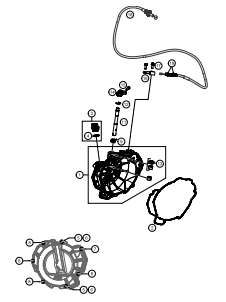
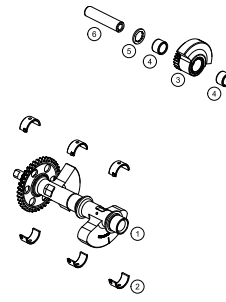
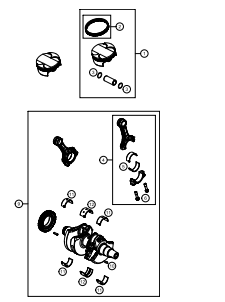
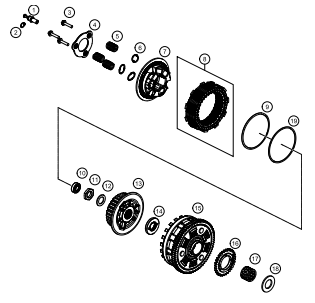
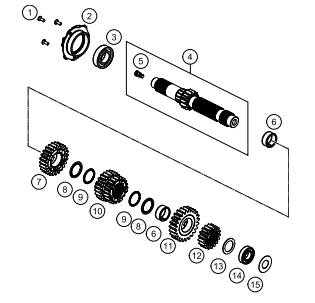
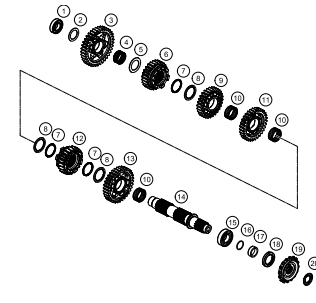
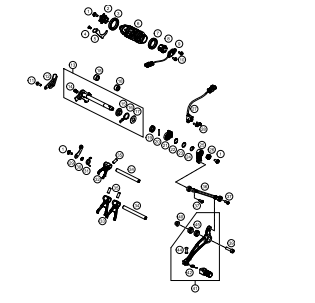
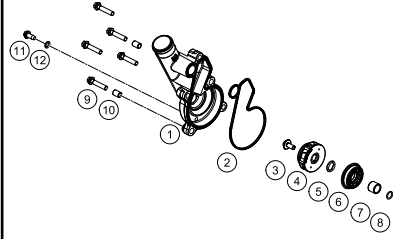
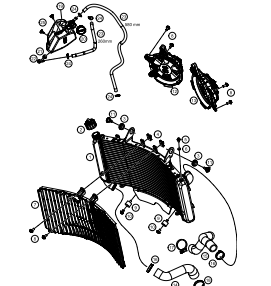
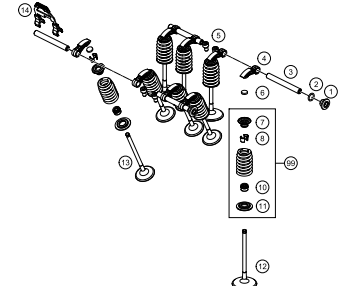
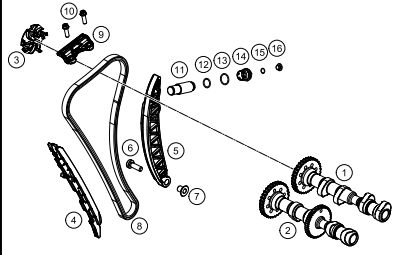


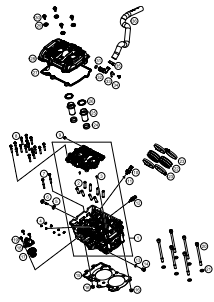
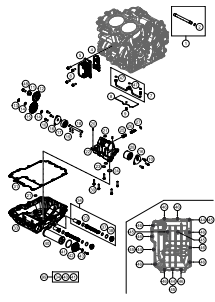
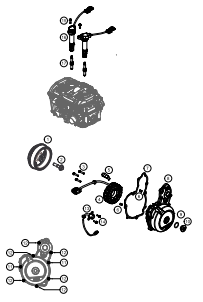
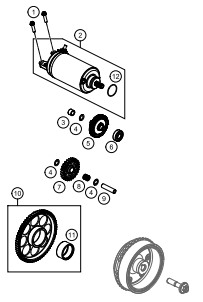
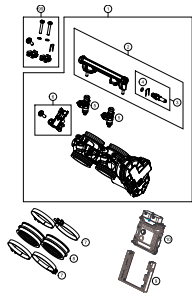
# Engine 790 Adventure 2019

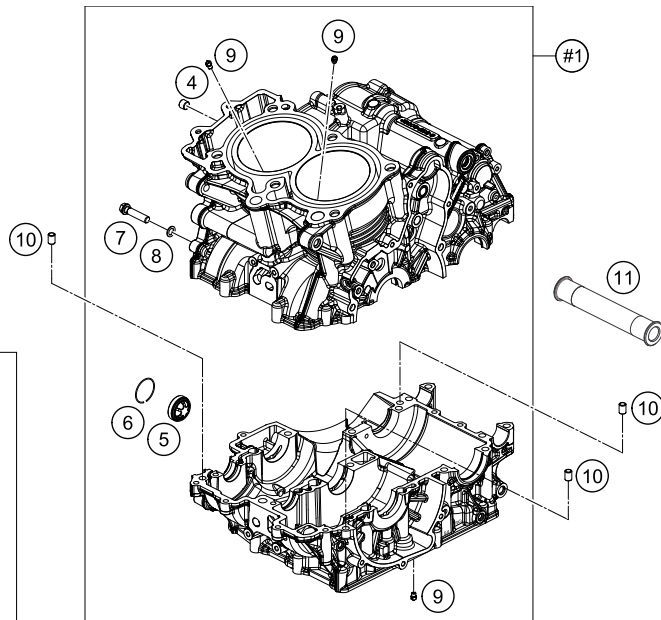
ART.-NR.: 088710SEN



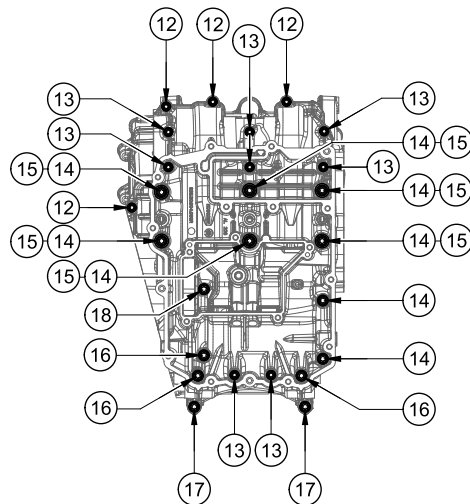


<p><b>ENGINE CASE</b></p>  <p><b>3</b></p>	<p><b>CLUTCH COVER</b></p>  <p><b>4</b></p>	<p><b>BALANCER SHAFT</b></p>  <p><b>5</b></p>	<p><b>CRANKSHAFT, PISTON</b></p>  <p><b>6</b></p>
<p><b>CLUTCH</b></p>  <p><b>7</b></p>	<p><b>TRANSMISSION I - MAIN SHAFT</b></p>  <p><b>8</b></p>	<p><b>TRANSMISSION II - COUNTERSHAFT</b></p>  <p><b>9</b></p>	<p><b>SHIFTING MECHANISM</b></p>  <p><b>10</b></p>
<p><b>WATER PUMP</b></p>  <p><b>12</b></p>	<p><b>COOLING SYSTEM</b></p>  <p><b>13</b></p>	<p><b>VALVE DRIVE</b></p>  <p><b>14</b></p>	<p><b>TIMING DRIVE</b></p>  <p><b>15</b></p>

<p><b>CYLINDER HEAD</b></p>  <p style="text-align: right;"><b>16</b></p>	<p><b>LUBRICATING SYSTEM</b></p>  <p style="text-align: right;"><b>17</b></p>	<p><b>IGNITION SYSTEM</b></p>  <p style="text-align: right;"><b>19</b></p>	<p><b>ELECTRIC STARTER</b></p>  <p style="text-align: right;"><b>20</b></p>
<p><b>THROTTLE BODY</b></p>  <p style="text-align: right;"><b>21</b></p>	<div style="display: flex; align-items: center;"> <div style="background-color: #cccccc; width: 50px; height: 50px; display: flex; align-items: center; justify-content: center; margin-right: 10px;"> <span style="font-size: 2em; font-weight: bold;">!</span> </div> <div> <p>All information contained is without obligation. KTM Sportmotorcycle GmbH particularly reserves the right to modify any equipment, technical specifications, prices, colors, shapes, materials, services, service work, constructions, equipment and the like so as to adapt them to local conditions or to cancel any of the above items, all without previous announcement and without giving reasons. KTM may stop manufacturing certain models without previous notice. KTM shall not be held liable for any deviations of availability and/or ability to deliver, illustrations, descriptions, printing and/or other errors. The illustrated models partly contain extra equipment, which is not applied to standard models.</p> <p>© by KTM Sportmotorcycle GmbH, Mattighofen AUSTRIA; All rights reserved; Reprint, also in extracts, with written allowance of KTM Sportmotorcycle GmbH, Mattighofen only.</p> </div> </div>		



- 1
- |    |   |   |   |
|----|---|---|---|
| #1 | 4 | 5 | 6 |
| 7  | 8 | 9 |   |
- + Dichtungen / sealings**  
 1x 63533088000  
 1x 0760142460
- + Lager / bearings**  
 1x 0625068910  
 1x 0625068060  
 2x 54632095000  
 1x 0618101410



186353010

POS	PARTNUMBER	PARTNAME	PIECE
1*	6353000014424	Engine case cml.	1
4	0906100100	pipe plug DIN 906 M10x1	1
5	59030019200	OIL SIGHT GLASS	1
6	61030019050	CIRCLIP OIL LEVEL GLASS 03	1
7	0025080356	HH collar screw M8x35 TX40	1
8	0603082131	COPPER GASK.DIN7603- 8,2X13X1	1
9	60030063070	oil jet 70 M5	3
10	59030023000	dowel sleeve 6x8x11.5	3
11	63530010000	housing socket	1
12	0025060306	HH collar screw M6x30 TX30	4
13	0025060606	HH collar screw M6x60 TX30	8
14	0025080906	HH collar screw M8x90 TX40	8
15	0125080003	washer DIN 125 A -8.4	6
16	0025080656	HH collar screw M8x65 TX40	3
17	0025080556	HH collar screw M8x55 TX40	2
18	0025080456	HH collar screw M8x45 TX40	1
99	63530099000	Engine gasket 790 Duke	1

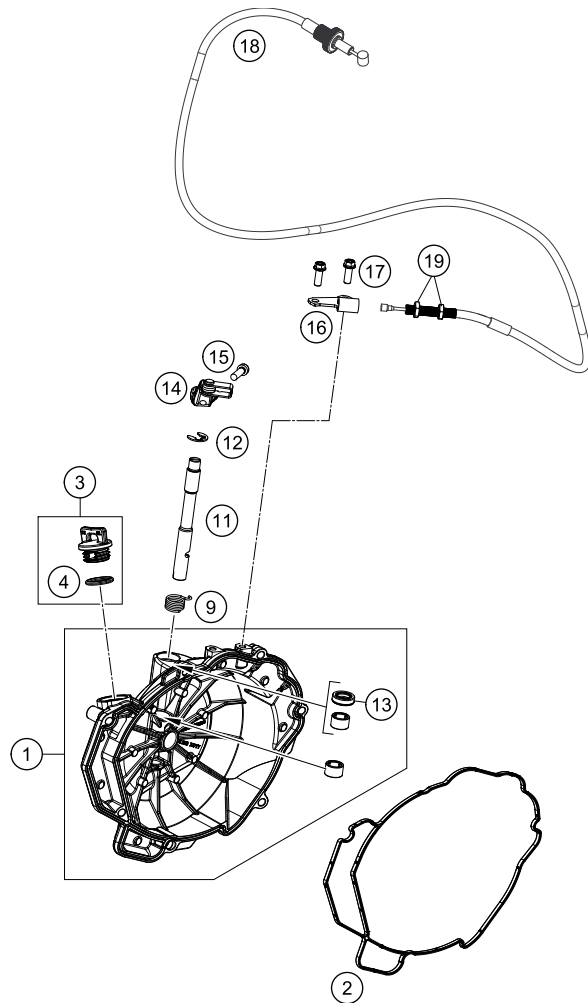
51292

\* NEW PART

X ON DEMAND

# CLUTCH COVER

Engine 790 Adventure 2019



POS	PARTNUMBER	PARTNAME	PIECE
1	6353000104441	Clutch cover complete	1
2	63530025100	clutch cover gasket	1
3	58030020100	oil plug cpl. M24x3	1
4	0770191015	O-RING 19,00X3,00 NBR	1
5	59030023000	dowel sleeve 6x8x11.5	2
6	0025060306	HH collar screw M6x30 TX30	3
7	0025060356	HH collar screw M6x35 TX30	1
8	0025060256	HH collar screw M6x25 TX30	3
9	63532048003	clutch release lever spring	1
11	63532049000	clutch release shaft	1
12	0799090003	retaining washer DIN 6799 - 9	1
13	0760122060	Shaft seal ring 32x45x6.5	1
14	63532048233	Release lever assembly	1
15	014580060206S	Cyl. screw ISO 14580 M6x20 SS	1
16	63532052100	Cable retaining bracket	1
17	0025060166	HH collar screw M6x16 TX30	2
18	64102090000	Clutch cable	1
19	0934080006	HEXAGON NUT DIN 934 M8	2

186353020

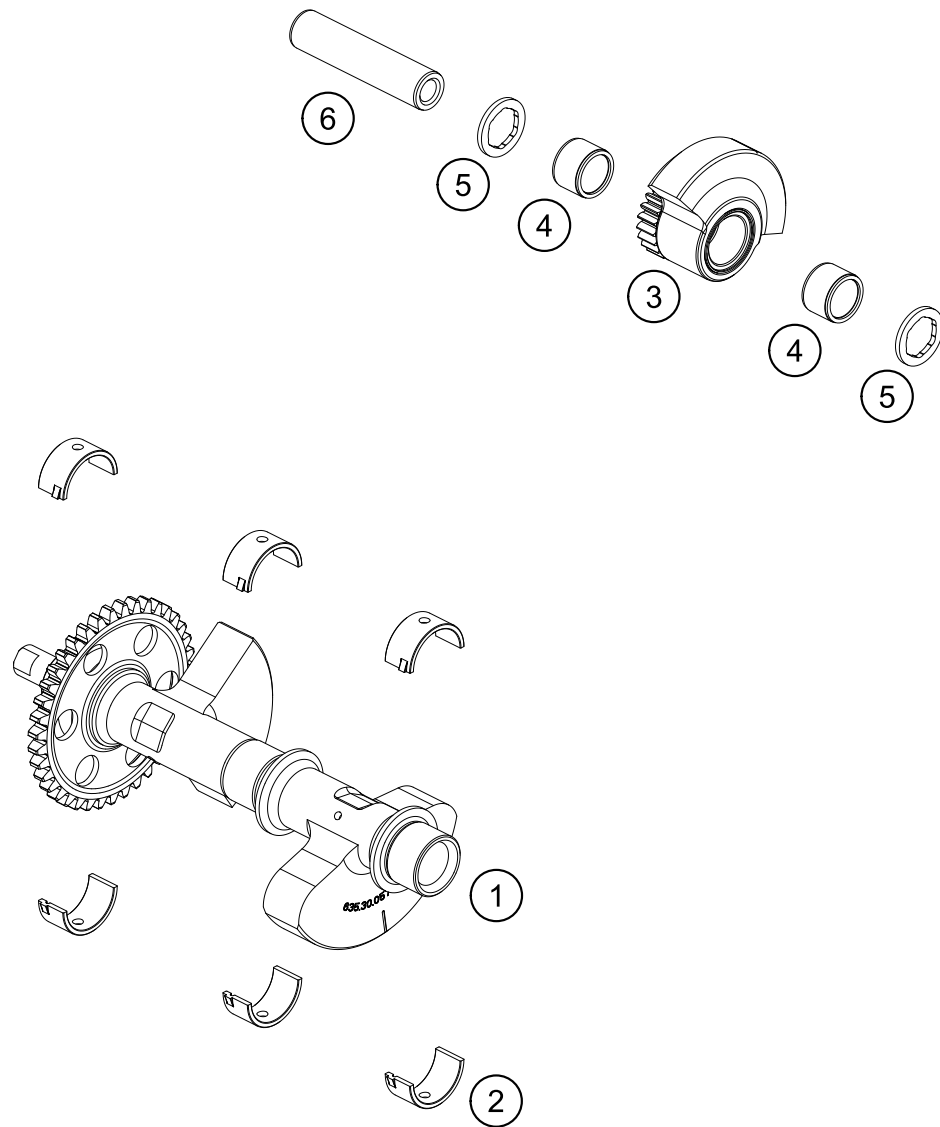
49610

\* NEW PART

X ON DEMAND

# BALANCER SHAFT

Engine 790 Adventure 2019



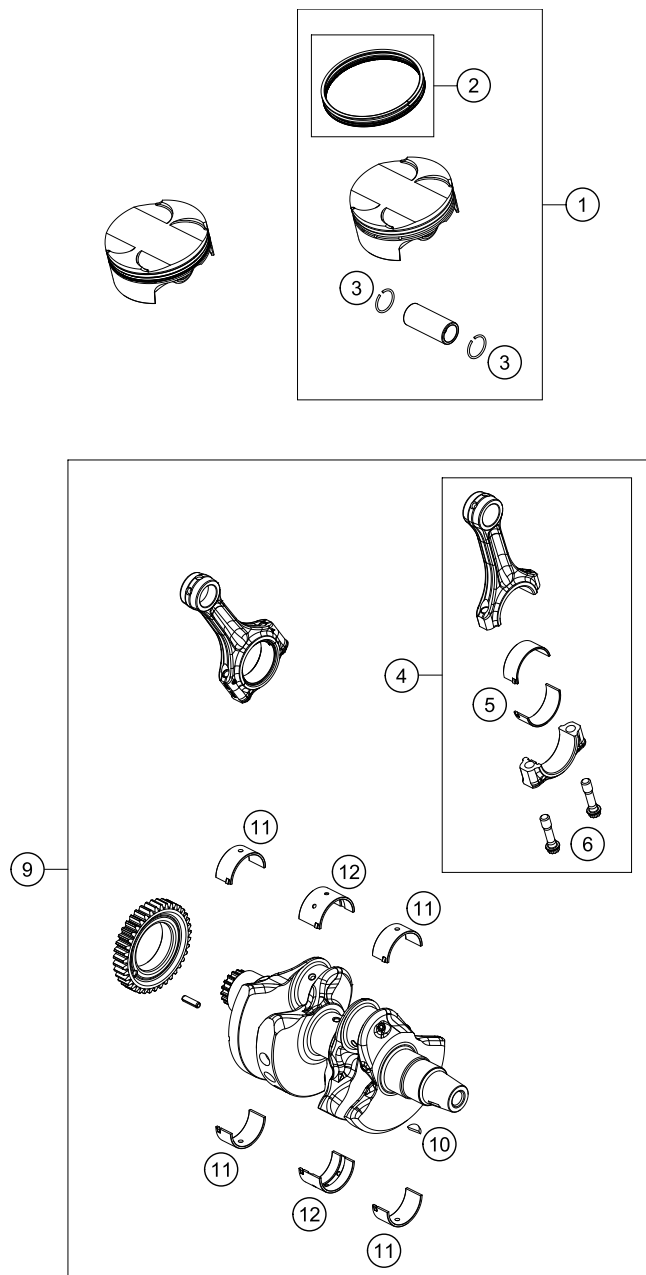
POS	PARTNUMBER	PARTNAME	PIECE
1	63530057044	balancer shaft cpl.	1
2	63530057050	Bearing Shell 22/26/13	6
3	63530059200	Counter Balancer shaft cpl.	1
4	0405151913	needle roller and cage assy. K 15x19x13	2
5	63530059060	thrust washer 15.5/22.5/2	2
6	63530059050	pivot	1

186353030

49611

\* NEW PART

X ON DEMAND



186353060

POS	PARTNUMBER	PARTNAME	PIECE
1	63530007000	piston cpl.	2
2	63530031044	Piston Ring Set D=88mm	2
3	63530074000	Circlip	4
4	63530015000	conrod assy	2
5	635300140001	Bearing Shell, blue	x
5	635300140002	Bearing Shell, red	x
6	63530013000	conrod bolt M8x0.75	4
9	63530018044	Crankshaft cpl.	1
10	0888040050	woodruff key DIN 6888 4x5x13	1
11	635300820001	Main Bearing blue	x
11	635300820002	Main Bearing red	x
12	635301820001	Main Bearing blue	x
12	635301820002	Main Bearing red	x

49635

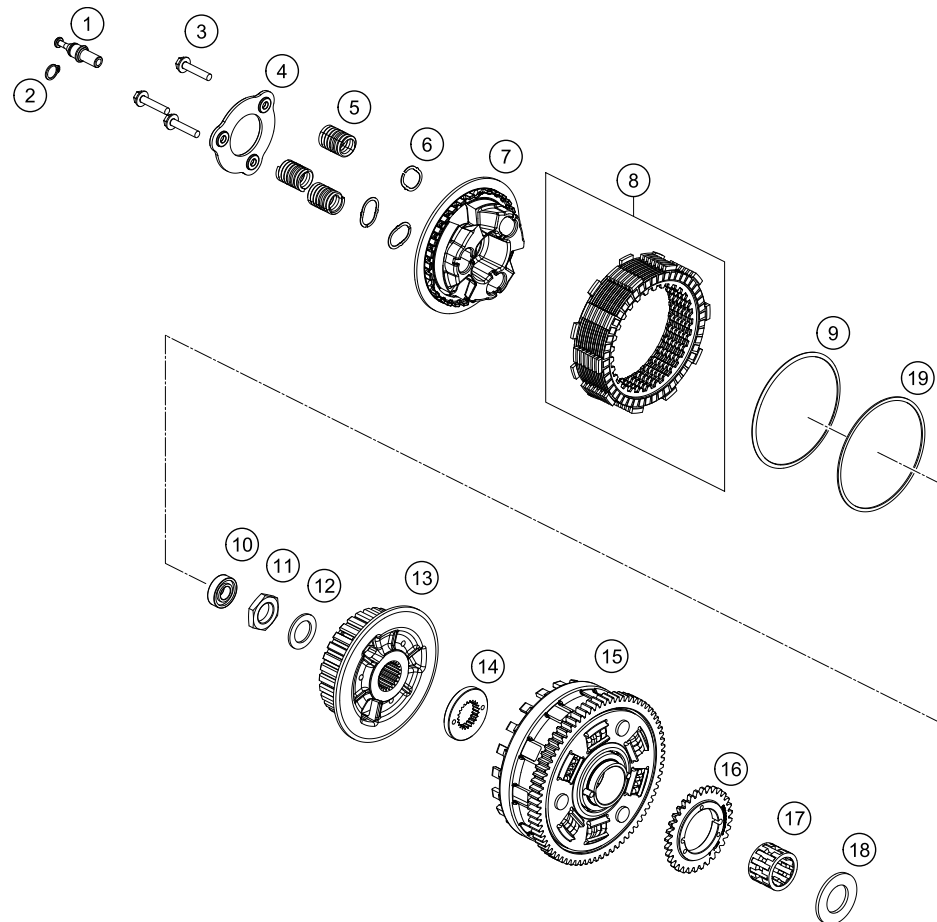
\* NEW PART

X ON DEMAND



# CLUTCH

Engine 790 Adventure 2019



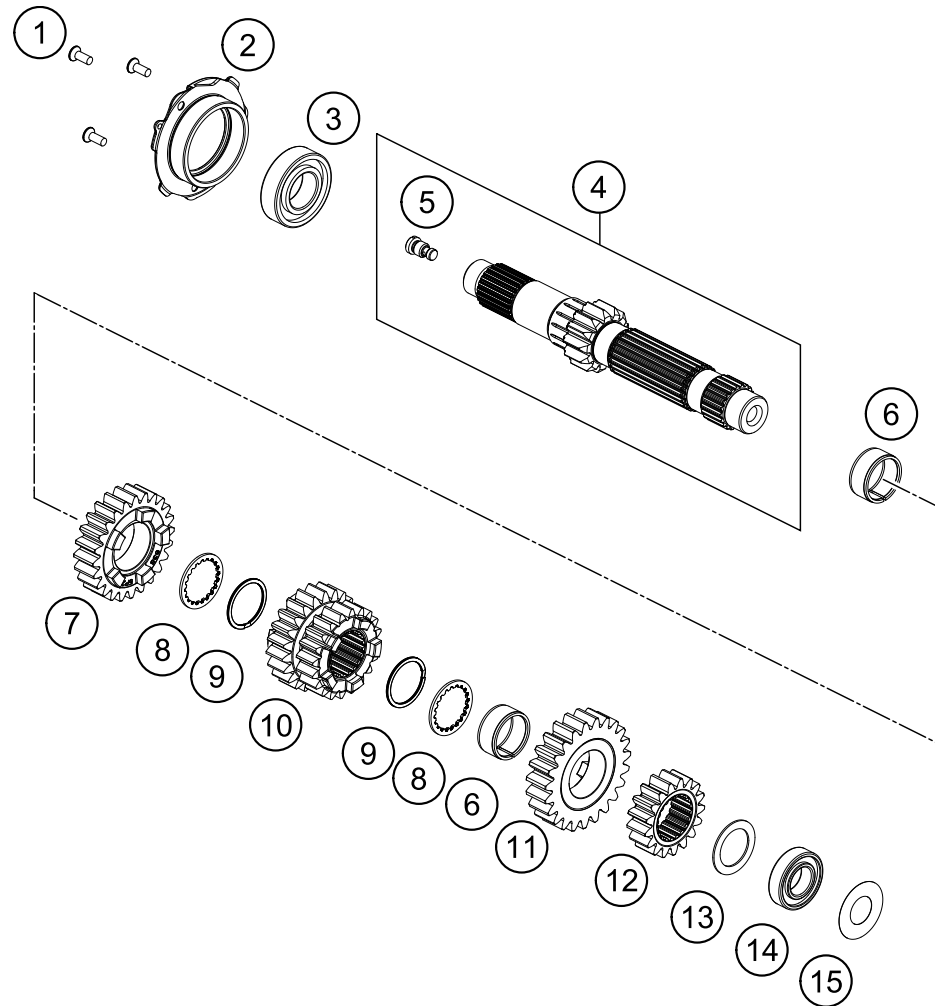
POS	PARTNUMBER	PARTNAME	PIECE
1	63532048104	tension bolt	1
2	0471120010	retaining ring DIN 471 12x1	1
3	63532044000	Collar screw M6x30	3
4	63532006000	Arrestor Pressure Cap	1
5	63532005000	Clutch spring	3
6	63532041000	Clutch spring cover	3
7	63532003000	Pressure Plate	1
8	63532011010	Disc Pack	1
9	63532034000	Belleville Spring	1
10	0625060017	BALL BEARING 6001.2URS.C3	1
11	60036073150	hex nut M20x1, H=6mm	1
12	47032020000	thrust washer 20x32x2	1
13	63532002000	center clutch	1
14	63532021000	Spline Washer	1
15	63532001044	Clutch Cage cpl.	1
16	60038001232	Oil pump gear 32th	1
17	0405263525	Needle bearing PK26x35x24.8	1
18	63532020000	washer 26X47X3	1
19	63532035000	Seat Judder Spring	1

186353210

49775

\* NEW PART

X ON DEMAND



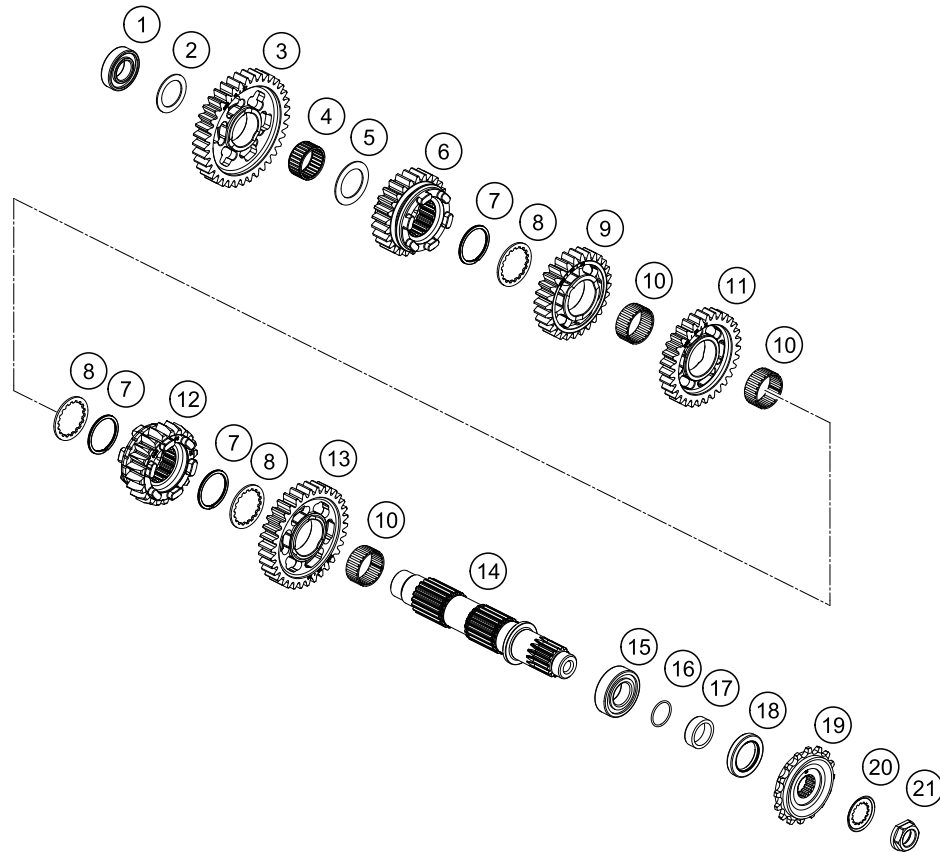
POS	PARTNUMBER	PARTNAME	PIECE
1	010642060166S	Hex screw ISO10642-M6x16 self-locking	3
2	63530068000	flange bearing	1
3	0625062280	ball bearing 62/28 CM	1
4	63533001044	Main shaft preassembled	1
5	63533001030	reducing jet Ø0.3mm M8	1
6	0405242813G	NEEDLE BEAR.K 24X28X13 DIVIDED	2
7	63533005000	Idler gear 5. G	1
8	63533045000	toothed washer	2
9	0471026000	circlip d26	2
10	63533003000	Sliding gear 3/4 G	1
11	63533006000	Idler gear 6. G	1
12	63533002000	Solid gear 2. G	1
13	63533032000	stop disc 22.2/31.7/1	1
14	0625068910	Ball bearing 6891 PH C3H	1
15	63533088000	sealing washer 22x44x0.2	1

186353330

49612

\* NEW PART

X ON DEMAND



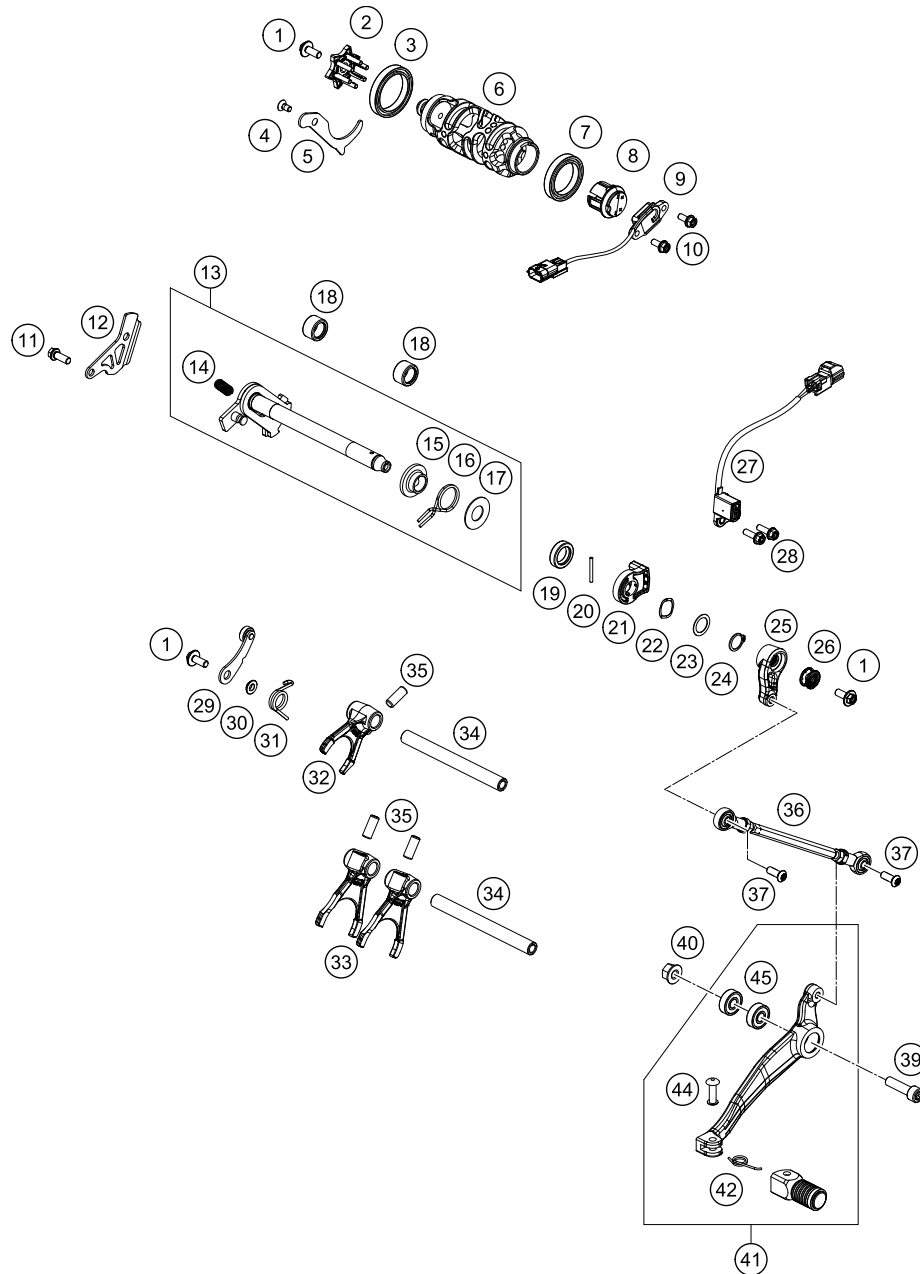
POS	PARTNUMBER	PARTNAME	PIECE
1	0625068910	Ball bearing 6891 PH C3H	1
2	63533032000	stop disc 22.2/31.7/1	1
3	63533011000	Idler Gear 1. G	1
4	0405242813	NEEDLE BEAR. K 24X28X13 TN	1
5	63533034000	stop disc 24.3/35.75/1	1
6	63533015000	Idler gear 5. G	1
7	0471029000	TWISTED CIRCLIP D29	3
8	63533033000	Stop Disc 27/36/1.5	3
9	63533014000	Idler gear 4. G	1
10	0405263013G	needle bearing 26x30x13 splite	3
11	63533013000	Idler gear 3. G	1
12	63533016000	Sliding gear 6G	1
13	63533012000	Idler Gear 2. G	1
14	63533010000	Output shaft	1
15	49030023000	cylindrical roller bearing NJ205	1
16	0770020220	O-RING 25,12X1,78 NBR70	1
17	54833032011	spacer sleeve drive end	1
18	0760324773	radial shaft seal 32x47x7BSL Viton	1
19	58033029115	ENGINE SPROCKET 15 T DAMPED	x
19	58033029116	front sprocket 16 teeth damped	1
19	58033029117	ENGINE SPROCKET 17 T DAMPED	x
20	51033031000	locking plate	1
21*	58033132300	Sprocket nut M20x1.5	1

186353360

51336

\* NEW PART

X ON DEMAND



196353410

POS	PARTNUMBER	PARTNAME	PIECE
1	0024060156S	HH collar screw M6x15 TX30	1
2	63534015000	Shift locker cpl.	1
3	0625068070	deep groove ball bearing 6807	1
4	0019050106S	hex lobe countersunc screw M5x10 - 10.9	1
5	63534011000	Locking plate	1
6	63534012001	shift drum 6G	1
7	0625068060	deep groove ball bearing 6806 C3	1
8	79234012020	magnet holder cpl.	1
9	79211023000	gear position sensor	1
10	0025050126	HH collar screw M5x12 TX30	2
11	0025060166S	HH collar screw M6x16 TX30 SL	1
12	63533022000	bearing retaining plate	1
13	63534005033	shift cpl.	1
14	56534013100	TENSIONING SPRING 0,8MM	1
15	54634020000	SPRING GUIDE	1
16	61234014000	RETURNSPRING 2MM	1
17	54634050000	STOP DISK 14X30X1	1
18	54632095000	needle sleeve HK 1412 14x20x12	2
19	0760142460	radial shaft seal 14x24x6 B	1
20	0007025241	dowel pin DIN 7 A1 2.5m6x24	1
21	63534050000	magnet holder	1
22	63534050010	wave spring Smalley SSB-0075-S17	1
23	0988142005	Thrust washer DIN 988 14x20x0.5	1
24	0471140100	retaining ring DIN 471 14x1	1
25	6413403000033	Pull Rod	1
26	50233041000	PAIR OF WASHERS M 6 NORDLOCK	1
27	63534051000	Shift assistant sensor	1
28	0025050166S	HH Collar Screw M5x16 ISA30 SS	2
29	63534024000	detent arm cpl.	1
30	63534052000	step washer	1
31	63534023000	Detent arm spring	1
32	63534002000	shift fork 5-6 gear	1
33	63534001000	shift fork 1.-4. gear	2
34	75034019100	shift fork shaft	2
35	0402080200	needle roller D8x20	3
36	63534036044	Shift rod cpl.	1
37	0738060205S	Oval head screw ISR M6x20-A2-70-MK	2
39	014579080301S	screw ISO 14579-M8x30-10.9-MK black	1

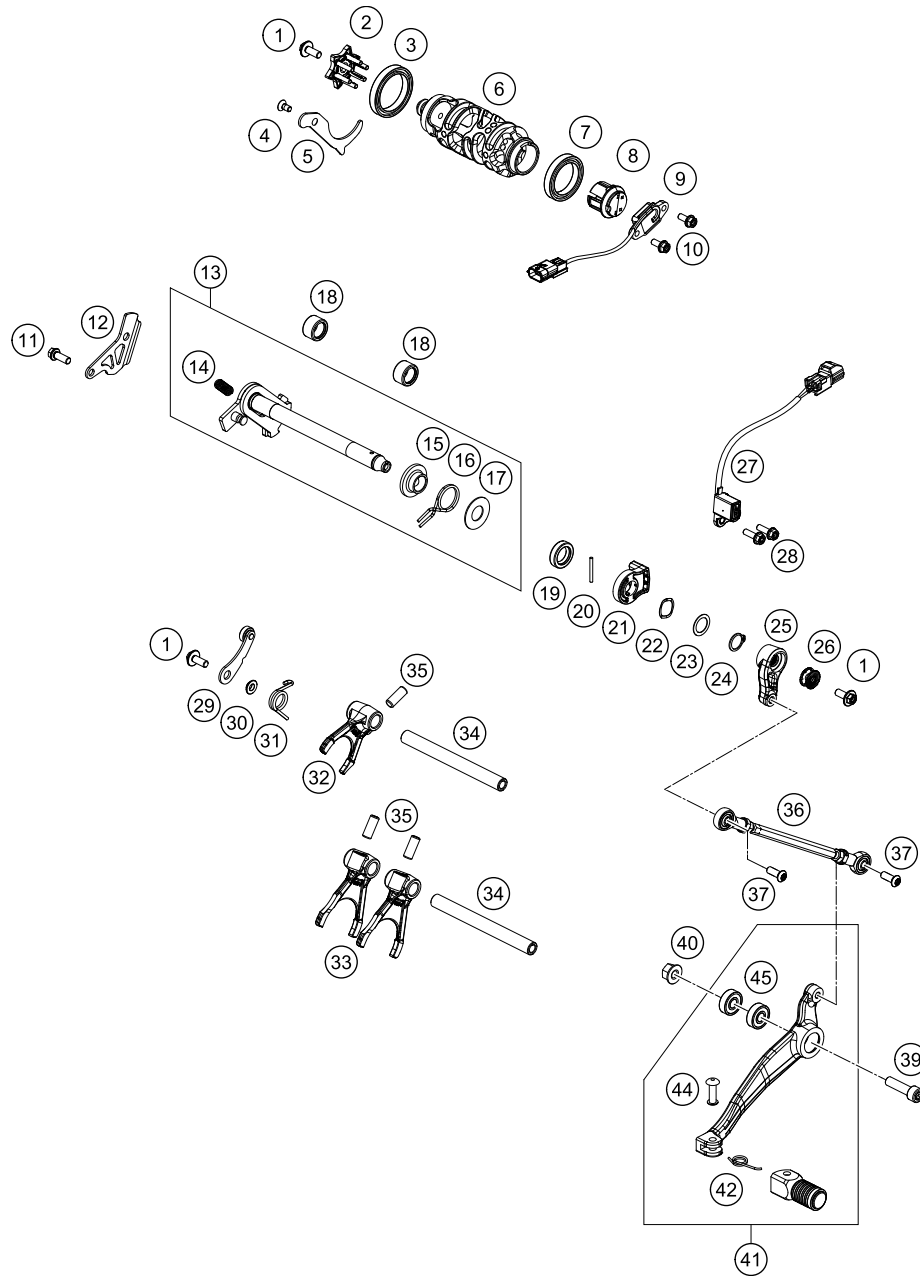
51835

\* NEW PART

X ON DEMAND

# SHIFTING MECHANISM

Engine 790 Adventure 2019



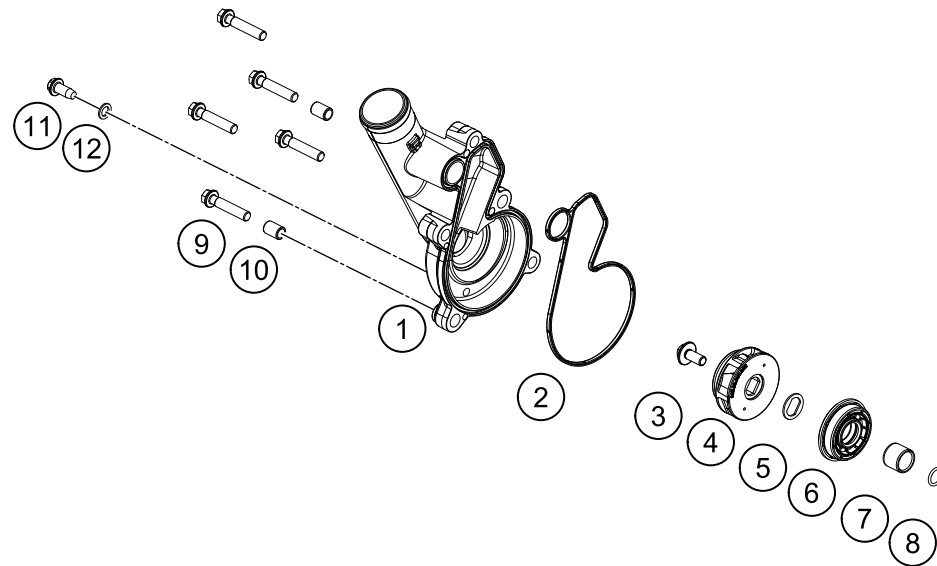
POS	PARTNUMBER	PARTNAME	PIECE
40	54310086200	SELF LOCKING NUT M8 10.9	1
41	6353403104433	Gear shift lever preassembled black	1
42	54634032100	SHIFTING LEVER SPRING 250	1
44	54634031050	BOLT 6X25 FOR SHIFT LEVER	1
45	0625006087	GROOVED BALL BEAR. 608 2RS C3	2

196353410

51835

\* NEW PART

X ON DEMAND



POS	PARTNUMBER	PARTNAME	PIECE
1	6353505200041	water pump cover	1
2	63535053000	water pump cover gasket	1
3	0024060136	HH collar screw M6x13 TX30	1
4	63535055000	water pump wheel cpl.	1
5	60035055150	double-d washer 16x1 SST	1
6	0760153459	radial shaft seal 34.5x15x9 Duo	1
7	77236072020	water pump wear bushing	1
8	07700900151	O-RING 9x1,5 V80 SH	1
9	0025060306	HH collar screw M6x30 TX30	5
10	59030023000	dowel sleeve 6x8x11.5	2
11	60335061000	Ejot Altracs Plus 60x14	1
12	0603061001	CU-SEAL RING DIN7603-6X10X1	1

186353510

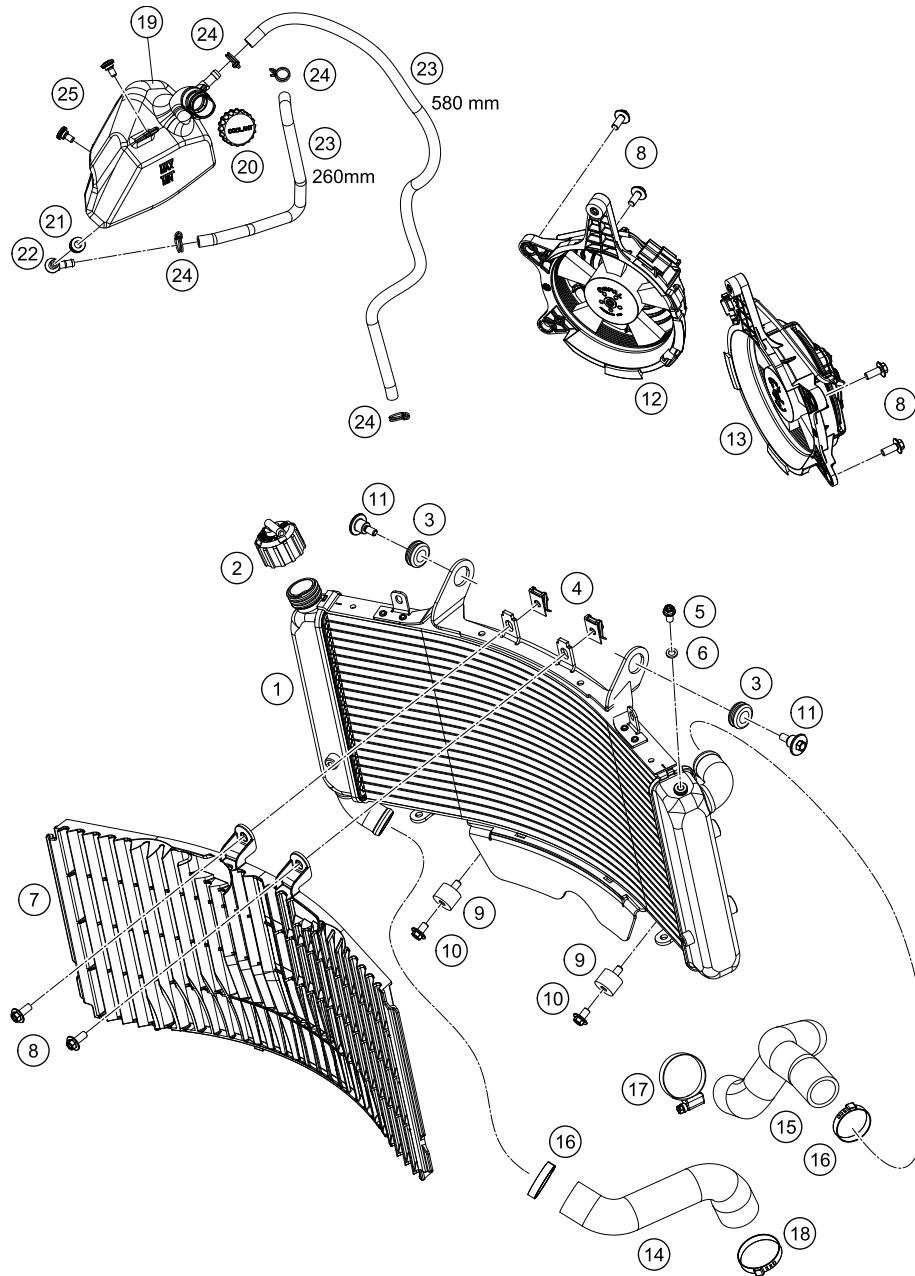
49615

\* NEW PART

X ON DEMAND

# COOLING SYSTEM

Engine 790 Adventure 2019



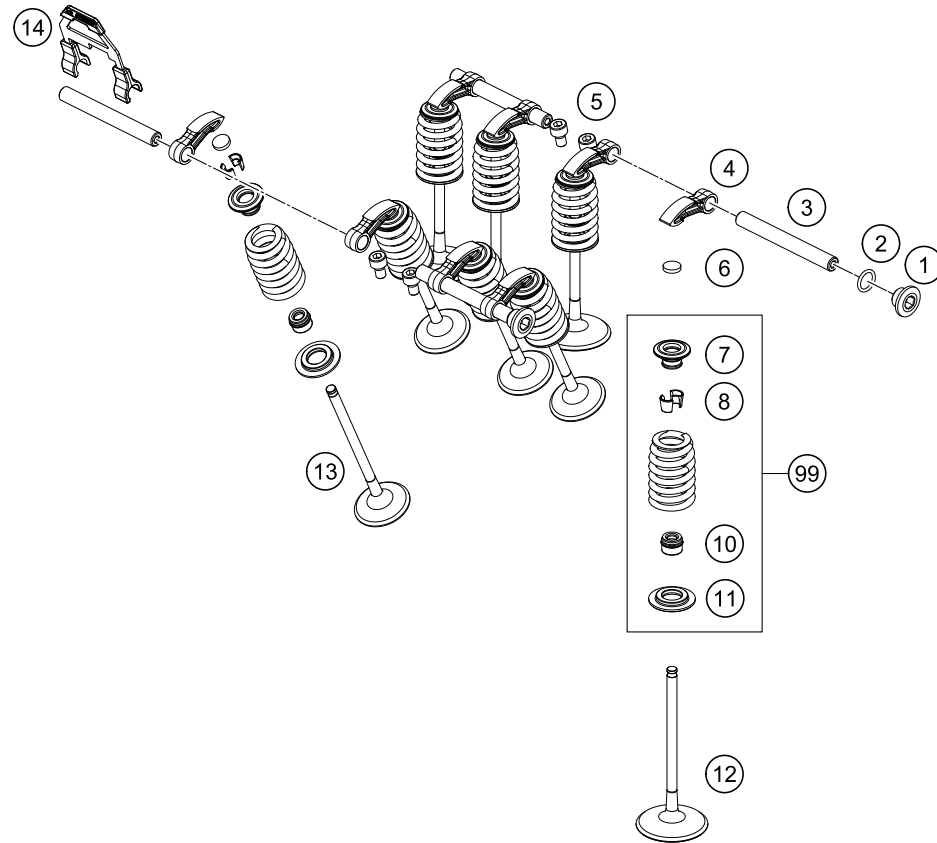
POS	PARTNUMBER	PARTNAME	PIECE
1	63535010000	Radiator	1
2	62535009000	RADIATOR CAP 1,4 BAR	1
3	41001052000	RUBBER SLEEVE D=12MM	2
4	54603048100	clip nut M6	2
5	0025060126	HH collar screw M6x12 TX30	1
6	60035048000	ALU-GASKET 6X10X1.5	1
7	63535040000	Radiator protection	1
8	0024060156	HH collar screw M6x15 TX30	6
9	43205062100	silentbloc 20x15-M6x10-(1)	2
10	0024060106	HH COLLAR SCREW M6X10 TX30	2
11	60035001000	SPECIAL SCREW M6X21 WS=8	2
12	63535141044	Radiator fan right, cpl.	1
13	63535041044	Fan left cpl.	1
14	63535026000	molded hose radiator	1
15	63535027000	molded hose radiator	1
16	76235028000	HOSE CLAMP GEMI 20-32 MM	2
17	10001120000	CLAMP 25-40 SGT 4	1
18	.	DUMMY_SPC	1
19	63535065001	expansion tank water	1
20	60335066044	Latch, compens. tank cpl.	1
21	60035069000	RUBBER GROMMET 6X9X13MM 04	1
22	60035068000	ANGLE CONNECTION EXPANS. TANK	1
23	60035067001	HOSE 6X10 EPDM 03	x
24	58007017000	YDNAC CLAMP 10101 (10,4MM)	4
25	69008021160	special screw M5x12	2

196353530

51814

\* NEW PART

X ON DEMAND



POS	PARTNUMBER	PARTNAME	PIECE
1	77236080100	threaded plug	2
2	07700900151	O-RING 9x1,5 V80 SH	2
3	63536056000	cam follower shaft	4
4	90136060000	cam follower	8
5	0912050083	SHCS DIN 912 M5x8	4
6	77036035172	SHIM D=8,9/1,72	x
6	77036035176	SHIM D=8,9/1,76	x
6	77036035180	SHIM D=8,9/1,80	x
6	77036035184	SHIM D=8,9/1,84	x
6	77036035188	SHIM D=8,9/1,88	x
6	77036035192	SHIM D=8,9/1,92	x
6	77036035196	SHIM D=8,9/1,96	x
6	77036035200	SHIM D=8,9/2,00	x
6	77036035204	SHIM D=8,9/2,04	x
6	77036035208	SHIM D=8,9/2,08	x
6	77036035212	SHIM D=8,9/2,12	x
6	77036035216	SHIM D=8,9/2,16	x
6	77036035220	SHIM D=8,9/2,20	x
6	77036035224	SHIM D=8,9/2,24	x
6	77036035228	SHIM D=8,9/2,28	x
6	77036035232	SHIM D=8,9/2,32	x
6	77036035236	SHIM D=8,9/2,36	x
6	77036035240	SHIM D=8,9/2,40	x
6	77036035244	SHIM D=8,9/2,44	x
6	77036035248	SHIM D=8,9/2,48	x
6	77036035252	SHIM D=8,9/2,52	x
6	77036035256	SHIM D=8,9/2,56	x
6	77036035260	SHIM D=8,9/2,60	x
7	63536032100	valve spring retainer	8
8	77036033000	valve collet	16
10	90236027000	valve stem seal	8
11	63536036000	Seat valve spring	8
12	63536030000	Intake valve	4
13	63536031000	exhaust valve	4
14	63536056050	cam follower clip	1
99	63536028044	Valve springs kit	x

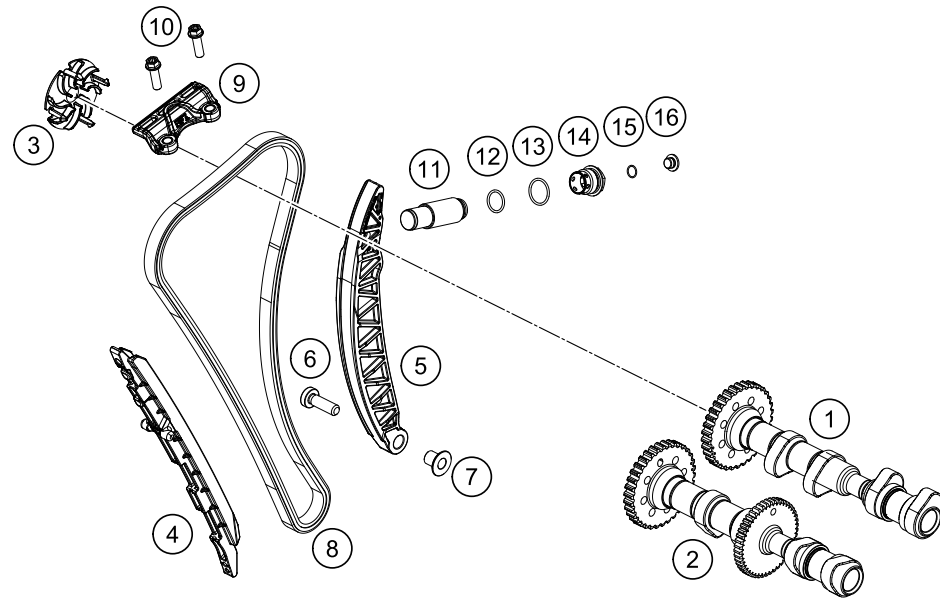
186353610

49616

\* NEW PART

X ON DEMAND





POS	PARTNUMBER	PARTNAME	PIECE
1	63536509044	Intake camshaft	1
2	63536510044	Exhaust camshaft	1
3	63536080000	bleeder centrifuge	1
4	63536001000	slide bars	1
5	63536002100	Tension Rail	1
6	0035080256S	ISA collar screw M8x25 ISA45	1
7	63536002150	Collar bush Ø8xØ10x13.2	1
8	63536013000	timing chain	1
9	63536005000	slide bars, top cpl.	1
10	0025060206S	HH collar screw M6x20 TX30	2
11	77036003100	chain tension adjuster	1
12	0770180020	o-ring 18.00x2.00 NBR70	1
13	0770220020	o-ring 22.00x2.00 NBR70	1
14	61236008200	chain tension adjuster plug cpl.	1
15	0770010010	o-ring 10.00x1.00 NBR70	1
16	77236080100	threaded plug	1

186353620

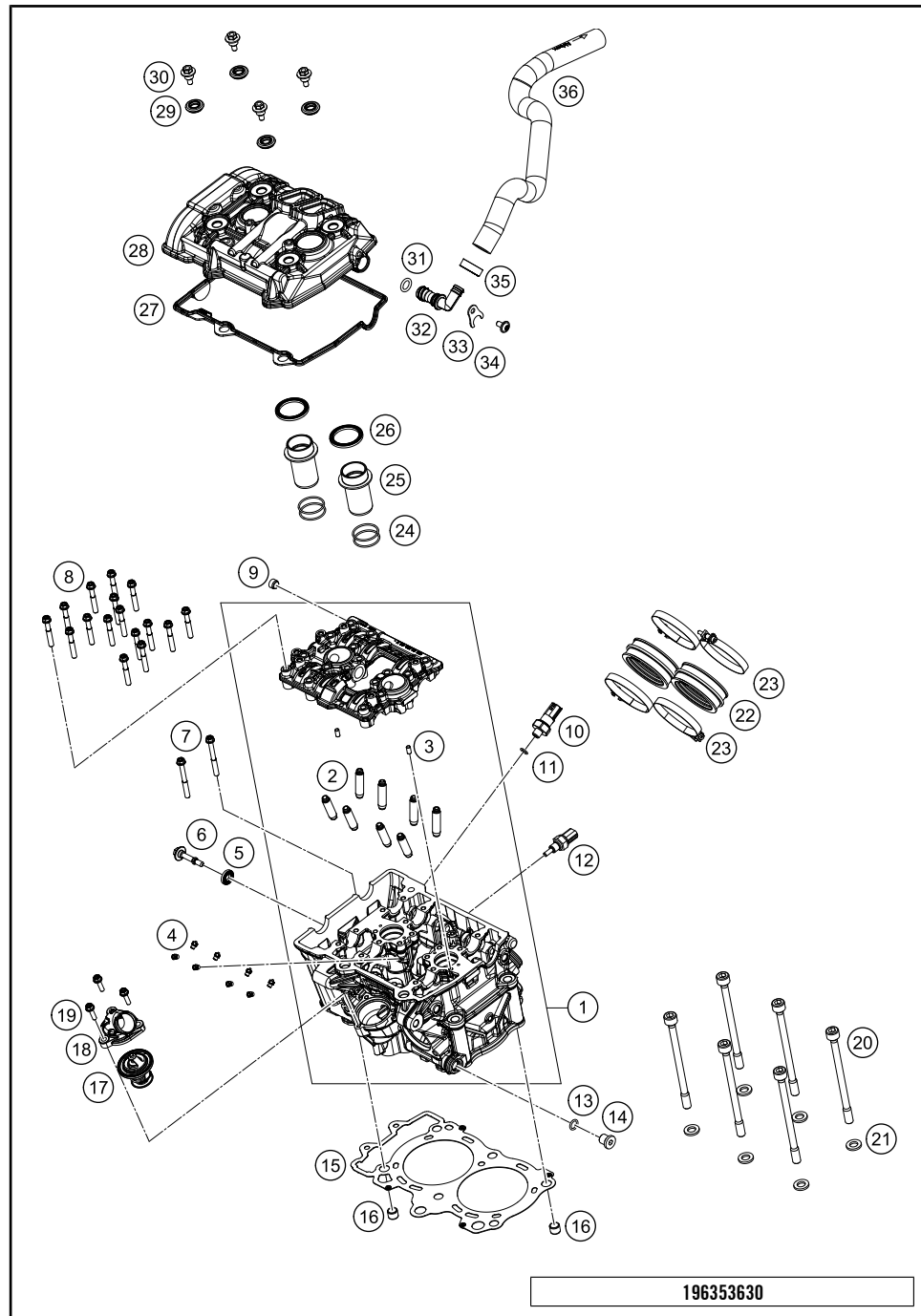
51807

\* NEW PART

X ON DEMAND

# CYLINDER HEAD

Engine 790 Adventure 2019



POS	PARTNUMBER	PARTNAME	PIECE
1	6353602000024	cylinder head cpl.	1
2	90236025000	VALVE GUIDE	8
3	0402050980	needle roller DIN 5402 5x9.8	2
4	60030063050	oil jet 50 M5	8
5	75036052010	decoupling element	1
6	75036055000	valve mechanism cover screw	1
7	0025060556	HH collar screw M6x55 TX30	2
8	0025060406	HH collar screw M6x40 TX30	16
9	0906100100	pipe plug DIN 906 M10x1	1
10	61238091100	oil pressure switch "BITRON"	1
11	07700900151	O-RING 9x1,5 V80 SH	1
12	79435047000	water temperature sensor	1
13	0770100020	o-ring 10.00x2.00 silicone	1
14	0908120153	threaded plug DIN 908 M12x1.5	1
15	63530036200	Cylinder head gasket	1
16	58530014100	dowl sleeve 10.2x12.5x10	2
17	63535017000	Thermostat 75°	1
18	63535019000	water connection	1
19	0025050206	HH collar screw M5x20 TX30	3
20	78630044000	cylinder head bolt M10x1.25 L=138	6
21	77336089010	washer 19x10.5x2.5	6
22	63536044000	Intake Sleeve	2
23	61236048000	hose clamp Gemi 66	4
24	0770298178	O-RING 29,87X1,78 VITON	4
25	63536075000	spark plug shaft insert	2
26	61136075050	spark plug shaft gasket	2
27	63536053000	Valve Cover Gasket	1
28	6353605200033	valve cover	1
29	77036054150	RUBBER GASKET FOR SCREW	4
30	77336054150	VALVE COVER SCREW	4
31	0770012030	O-RING 12,00X3,0 VITON 75	1
32	63536081000	bleeder connector	1
33	61236082150	connecting angle retaining plate	1
34	0080060123	EJOT ALtracs 60x12 TX30	1
35	00050198706	VARIABLE ONE-EAR CLAMP 19,8MM	1
36	63530087000	Pre-formed hose engine breather	1

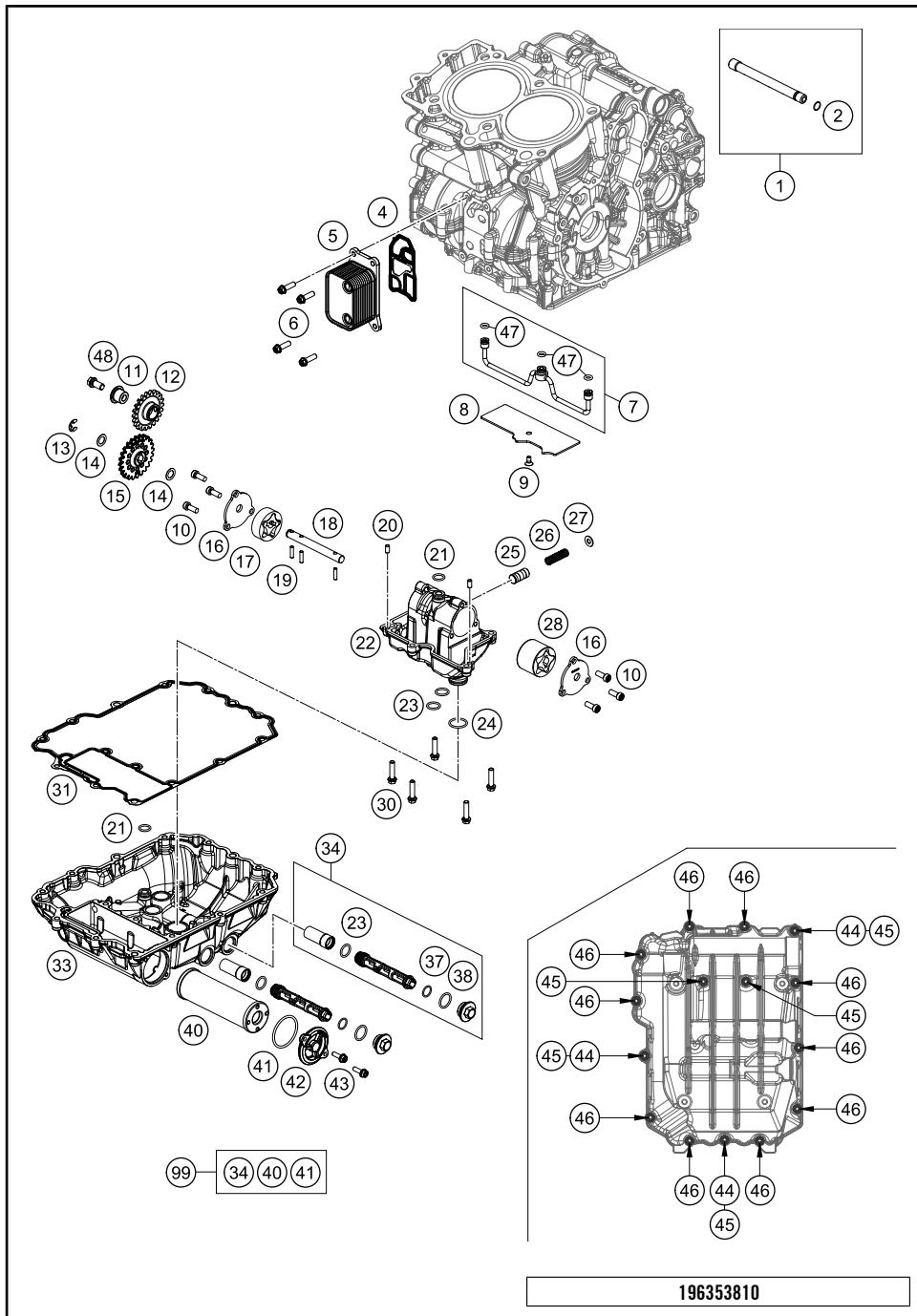
196353630

51806

\* NEW PART

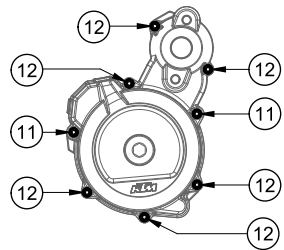
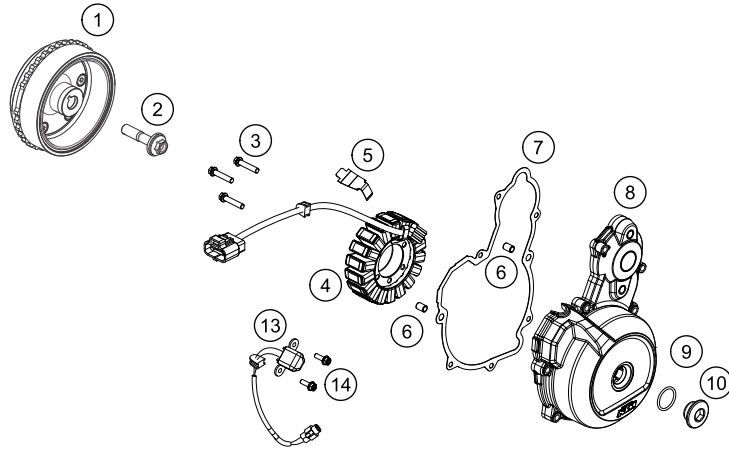
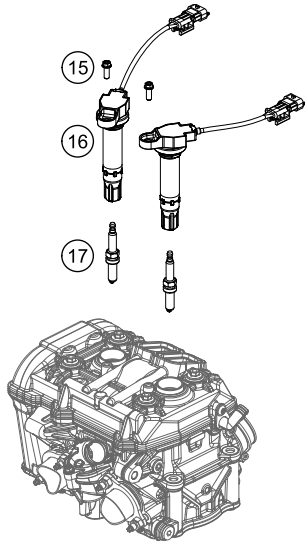
X ON DEMAND





POS	PARTNUMBER	PARTNAME	PIECE
45	0025060356	HH collar screw M6x35 TX30	5
46	0025060306	HH collar screw M6x30 TX30	10
47	0770060025	O-Ring 6x2.5	3
48*	0025080166S	HH collar screw M8x16 TX40 SL	1
99	00050000068	OILFILTER SERVICE KIT	x

\* NEW PART X ON DEMAND



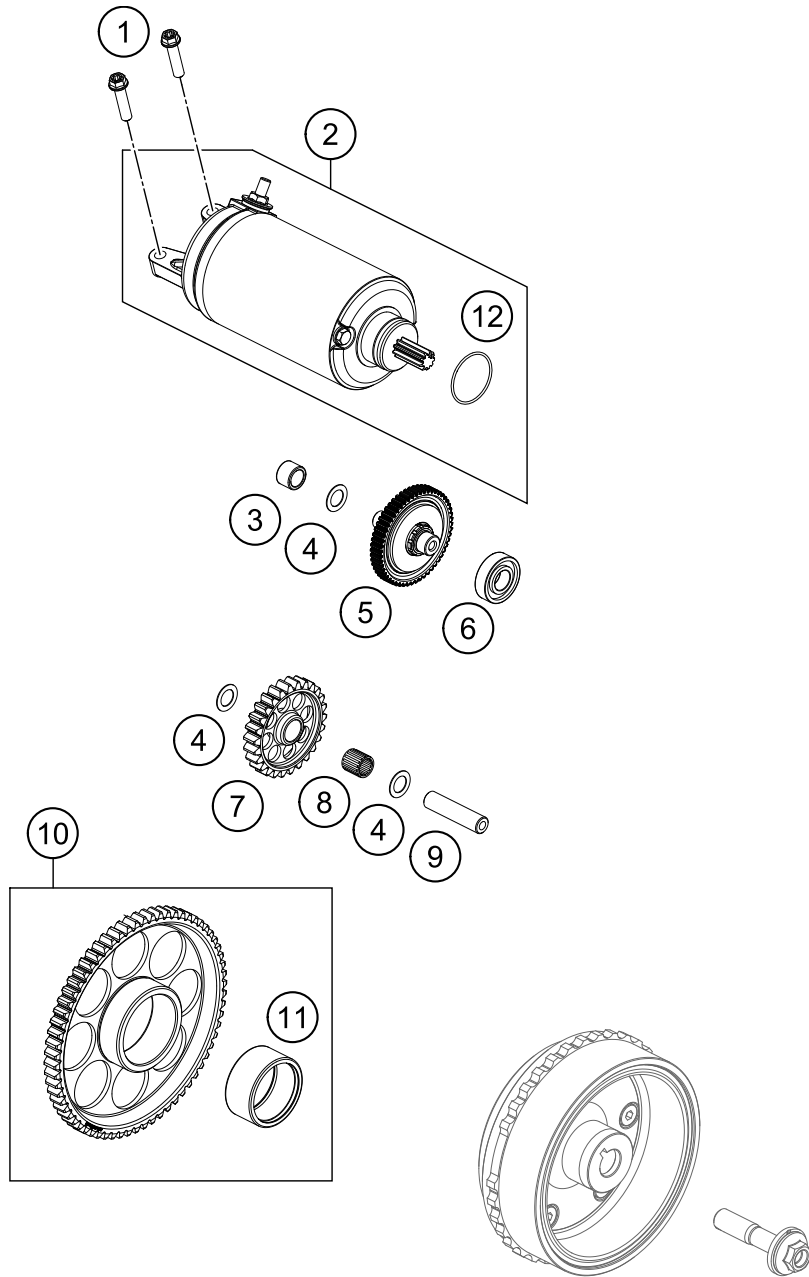
196353910

POS	PARTNUMBER	PARTNAME	PIECE
1	63539005000	rotor cpl.	1
2	60339003000	special screw M12x1.5 WS15	1
3	0025060306S	HH collar screw M6x30 TX30	3
4	63539004000	stator	1
5	60039040020	generator line bracket	1
6	59030023000	dowel sleeve 6x8x11.5	2
7	63530040000	ignition cover gasket	1
8	6353000200041	Generator Cover	1
9	07700240251	o-ring 24.00x2.50 Viton	1
10	6003009400030	threaded plug M24x1.5 PA 6.6	1
11	0025060356	HH collar screw M6x35 TX30	2
12	0025060306	HH collar screw M6x30 TX30	6
13	59039034000	pulse generator KOKUSAN 4K3-A/B	1
14	0025050166S	HH Collar Screw M5x16 ISA30 SS	2
15	0025060166	HH collar screw M6x16 TX30	2
16	63539006100	Stick coil	2
17	77839093000	spark plug NGK LMAR9AI-10	2

51800

\* NEW PART

X ON DEMAND



POS	PARTNUMBER	PARTNAME	PIECE
1	0025060256	HH collar screw M6x25 TX30	2
2	63540001000	starter	1
3	0618101410	needle sleeve HK 1010 10x14x10	1
4	60038007010	washer 10x16x0.5	3
5	60340117100	torque limiter 10/55 cpl.	1
6	0625060016	deep groove ball bearing 6001.2RSR C3	1
7	63540022000	idler gear 26 teeth	1
8	58440090000	needle roller and cage K 10x13x13 TN	1
9	63540029000	pivot pin	1
10	63540020000	free wheel gear cpl.	1
11	0618354220	NEEDLE BUSH HK3520 35/42/20	1
12	0770244031	O-Ring 24,40 x 3,10 NBR 70	1

186354010

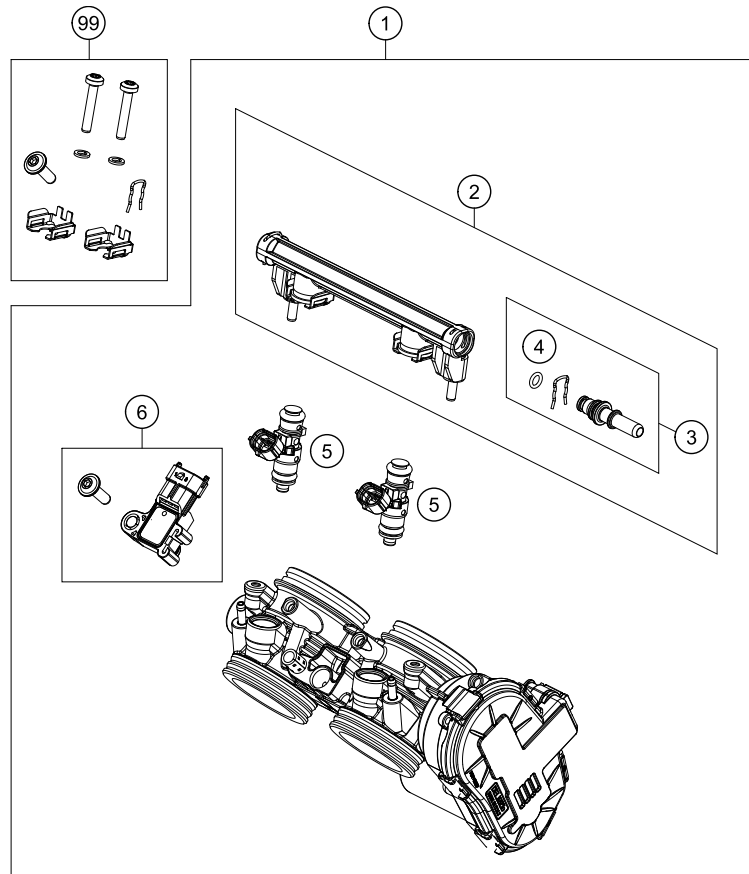
49629

\* NEW PART

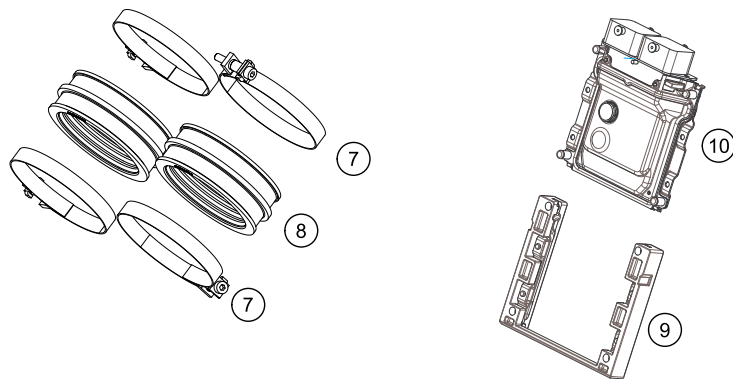
X ON DEMAND

# THROTTLE BODY

Engine 790 Adventure 2019



POS	PARTNUMBER	PARTNAME	PIECE
1	63541101000	Throttle body	1
2	63541113050	Kraftstoffleitung	1
3	63541113044	Kraftstoffanschluss kpl.	1
4	63541013010	Square and dust seal	1
5	90841123000	FUEL INJECTOR	2
6	63541085044	MAP sensor cmpl.	1
7	61236048000	hose clamp Gemi 66	4
8	63536044000	Intake Sleeve	2
9	63511033050	rubber mount ECU	1
10	63541031000	Control unit	1
99	63541099000	Smallpart Kit	1



196354110

51802

\* NEW PART

X ON DEMAND

A large, empty rectangular box with a thin black border, occupying the majority of the page. It is intended for the user to write their notes during the 'Engine 790 Adventure 2019'.



A large, empty rectangular box with a thin black border, occupying the majority of the page. It is intended for the user to write their notes for the 'Engine 790 Adventure 2019'.

A large, empty rectangular box with a thin black border, occupying the majority of the page. It is intended for the user to write their notes for the 'Engine 790 Adventure 2019'.



WWW.KTM.COM



KTM Sportmotorcycle GmbH  
5230 Mattighofen, Austria  
[www.ktm.com](http://www.ktm.com)



**KTM**\_POWERPARTS

**KTM**\_POWERWEAR

**KTM**\_ORIGINAL SPARE PARTS



088710SEN

Art. Nr.: 088710SEN 9. Jan 2019