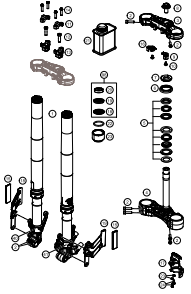
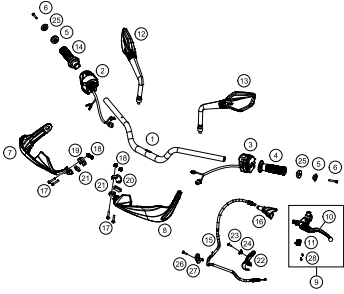
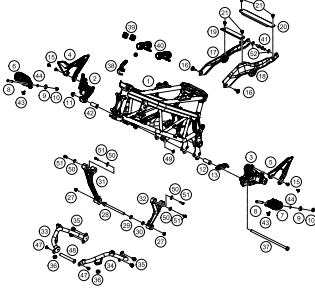
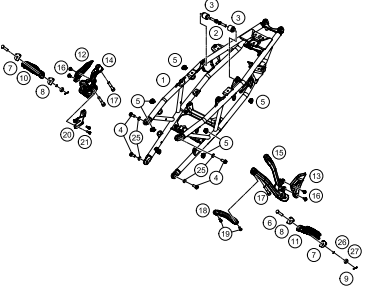
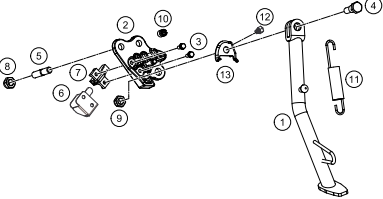
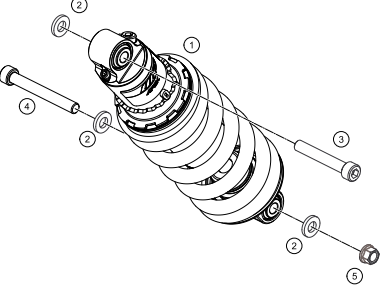
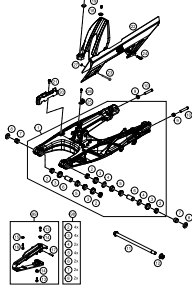
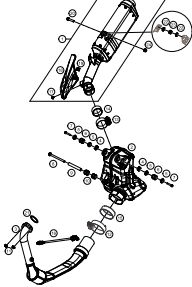
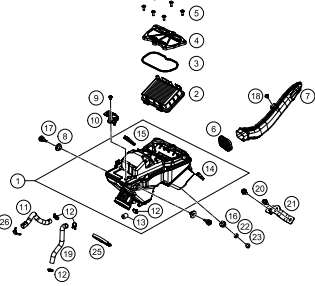
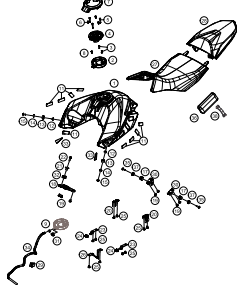
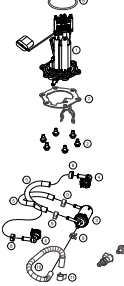
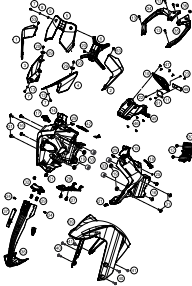
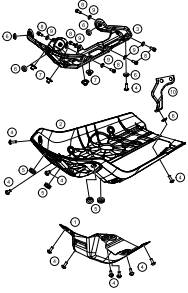
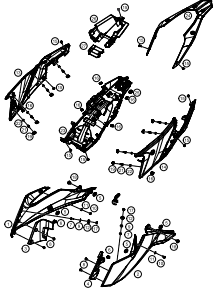
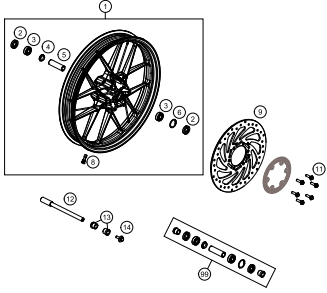
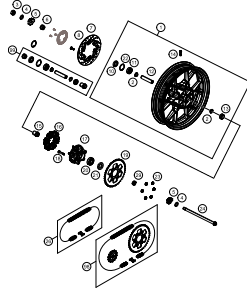
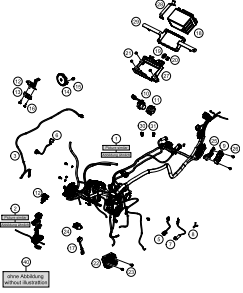
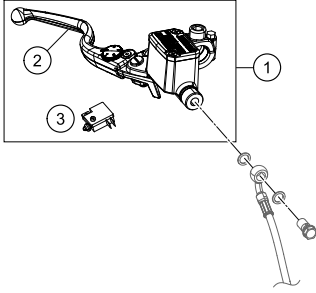
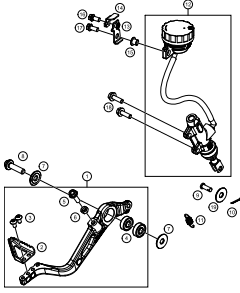
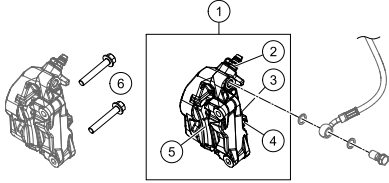
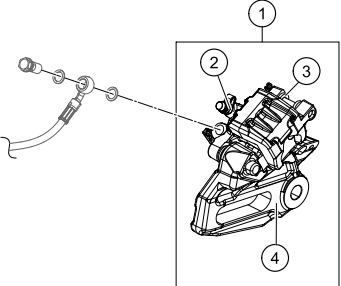
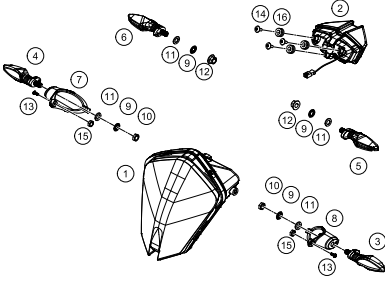
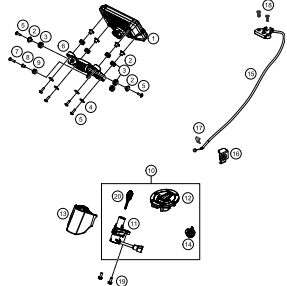
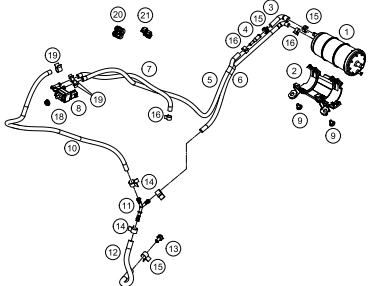


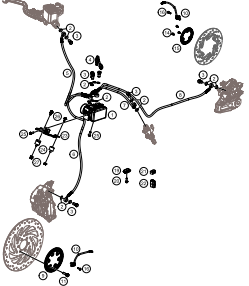
390 Adventure, orange 2020 EU 2020

ART.-NR.: F5303T6EN



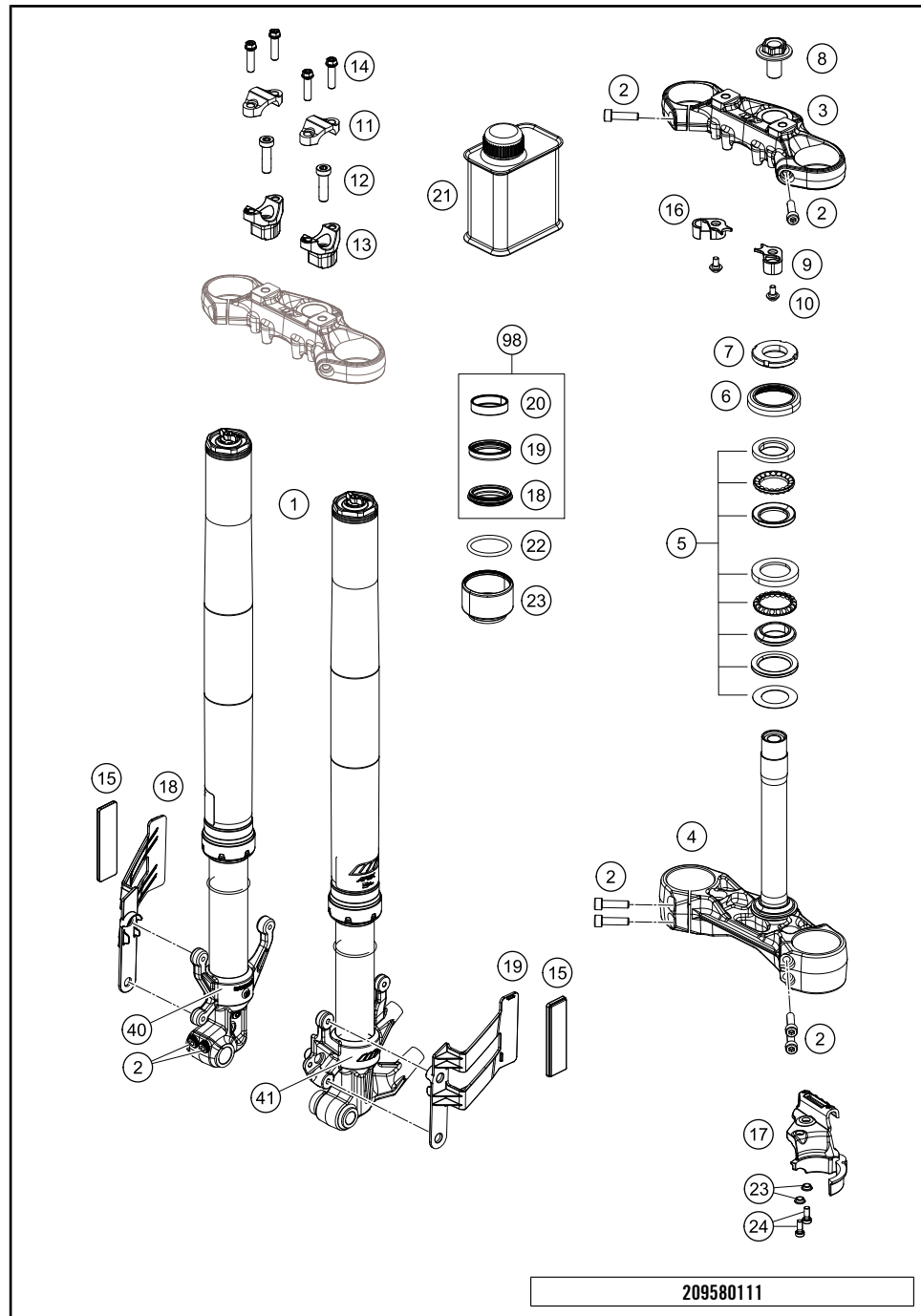
<p>FRONT FORK, TRIPLE CLAMP</p>  <p>4</p>	<p>HANDLEBAR, CONTROLS</p>  <p>5</p>	<p>FRAME</p>  <p>6</p>	<p>SUBFRAME</p>  <p>8</p>
<p>SIDE / CENTER STAND</p>  <p>9</p>	<p>SHOCK ABSORBER</p>  <p>10</p>	<p>SWING ARM</p>  <p>11</p>	<p>EXHAUST SYSTEM</p>  <p>12</p>
<p>AIR FILTER</p>  <p>13</p>	<p>TANK, SEAT</p>  <p>14</p>	<p>FUEL PUMP</p>  <p>15</p>	<p>MASK, FENDERS</p>  <p>16</p>

<p>COVER</p>  <p>18</p>	<p>SIDE TRIM</p>  <p>19</p>	<p>FRONT WHEEL</p>  <p>20</p>	<p>REAR WHEEL</p>  <p>21</p>
<p>WIRING HARNESS</p>  <p>22</p>	<p>FRONT BRAKE CONTROL</p>  <p>23</p>	<p>REAR BRAKE CONTROL</p>  <p>24</p>	<p>FRONT BRAKE CALIPER</p>  <p>25</p>
<p>REAR BRAKE CALIPER</p>  <p>26</p>	<p>LIGHTING SYSTEM</p>  <p>27</p>	<p>INSTRUMENTS / LOCK SYSTEM</p>  <p>28</p>	<p>EVAPORATIVE CANISTER</p>  <p>29</p>

<p>ANTIBLOCK SYSTEM ABS</p>  <p style="text-align: right;">30</p>			
	<div style="display: flex; align-items: flex-start;"> <div style="background-color: #cccccc; padding: 10px; margin-right: 10px; text-align: center;"> ! </div> <div> <p>All information contained is without obligation. KTM Sportmotorcycle GmbH particularly reserves the right to modify any equipment, technical specifications, prices, colors, shapes, materials, services, service work, constructions, equipment and the like so as to adapt them to local conditions or to cancel any of the above items, all without previous announcement and without giving reasons. KTM may stop manufacturing certain models without previous notice. KTM shall not be held liable for any deviations of availability and/or ability to deliver, illustrations, descriptions, printing and/or other errors. The illustrated models partly contain extra equipment, which is not applied to standard models.</p> <p>© by KTM Sportmotorcycle GmbH, Mattighofen AUSTRIA; All rights reserved; Reprint, also in extracts, with written allowance of KTM Sportmotorcycle GmbH, Mattighofen only.</p> </div> </div>		

FRONT FORK, TRIPLE CLAMP

390 Adventure, orange 2020 EU 2020

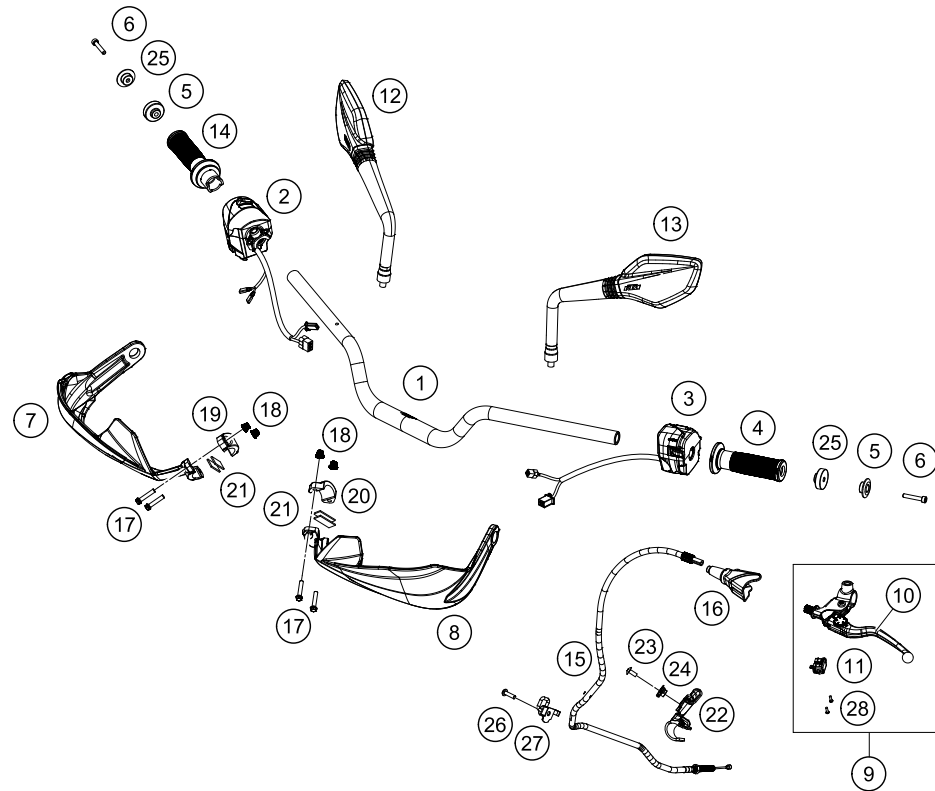


POS	PARTNUMBER	PARTNAME	PIECE
1	95801001000	Fork leg left	1
1	95801002000	Fork leg right	1
2	90501045000	AH SCREW M8X1.25X30	8
3	95801034033	Top triple clamp	1
4	93001032133	assembly lower triple clamp GDC	1
5	90101080044	STEERING HEAD BEARING-KIT	1
6	90101086000	protection cap	1
7	90101036100	Adjusting ring steering head	1
8	90501044000	steering head screw	1
9	95801070000	Brake hose bracket left	1
10	93008020060	Screw M6X1X9	2
11	95801038000	Handlebar clamp	2
12	J912100303	ISK-Schraube M10x30	2
13	95801039041	Handlebar mount, 41 mm	2
14	J912080293	Bolt socket-M8X1.25XI 29Xblack	4
15	90512082000	SIDE REFLECTOR FRONT	2
16	95801071000	Clutch cable wire bracket right	1
17	93013055000	Hose clamp	1
18	95812084000	Reflector holder right	1
19	95812083000	Reflector holder left	1
21	48600765S1	FORK OIL SAE5 5L 2008	x
23	90113055010	sleeve for hose clamp	2
24	J021060156	AH SCREW M6X15 10.9	2

209580111

49963

* NEW PART X ON DEMAND



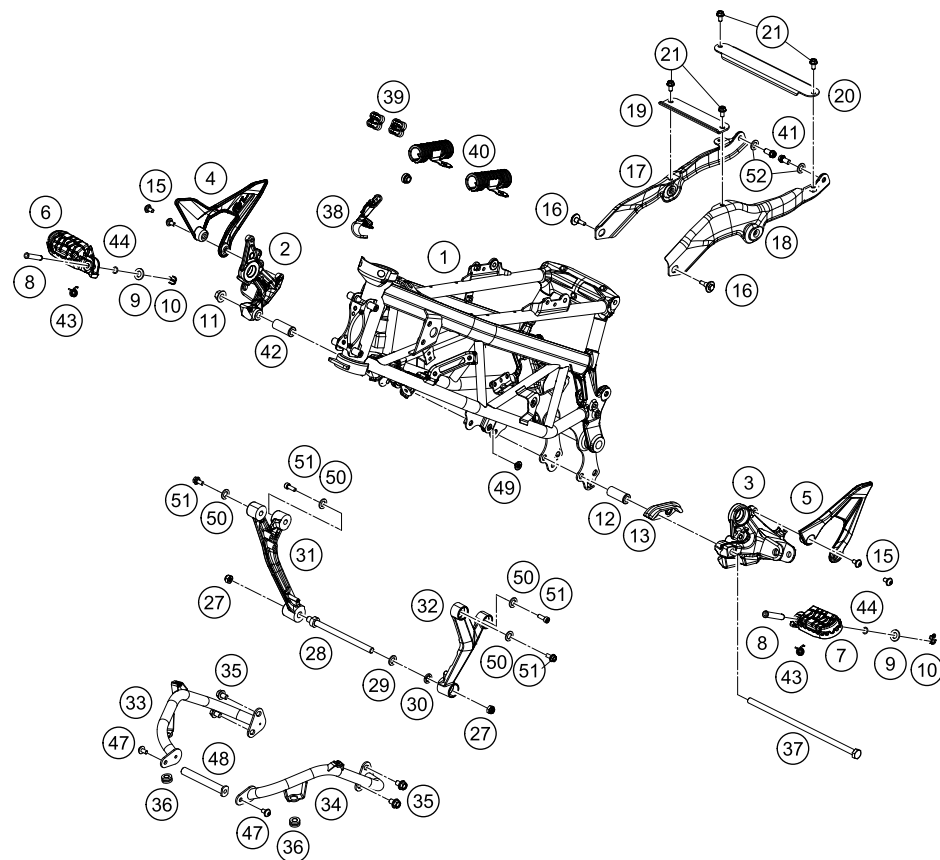
POS	PARTNUMBER	PARTNAME	PIECE
1	95802001000	Handlebar L=760mm, Dia.=28,5mm	1
2	95802010044	Throttle, compl.	1
3	95811070000	Light switch	1
4	90802039000	HAND GRIP L/S	1
5	xy	Dummy_SPC_Bajajteil COLLAR	2
6	J900000603500	Hexagon socket screw, M6x35	2
7	95802081000CA	Handschutz rechts	1
8	95802080000CA	Handschutz links	1
9	95802031000	Kupplungsarmatur	1
10	93502031100	Clutch lever	1
11	90111149000	Clutch switch	1
12	93012041000	Mirror right	1
13	93012040000	Mirror left	1
14	93702010033	THROTTLE GRIP	1
15	95802090000	clutch cable wire	1
16	93802016000	BOOT CLUTCH LEVER	1
17	J000150603000	SK-Bundschrabe M6x30	4
18	J910000600900	SK-Bundmutter M6	4
19	95802081010	Clamp, handguard, right	1
20	95802080010	Clamp, handguard, left	1
21	95802080020	Cellular rubber band 15x35 mm	4
22	95832060050	Guide clutch cable	1
23	J031050121	Roundhead screw M4X12	1
24	90108050001	CLIP NUT M5	1
25	xy	Dummy_SPC_Bajajteil COLLAR	2
26	J912080251	Hexagon screw M8X25	1
27	95803001086	Clutch cable guide	1
28	90232014002	Screw pan cross M3x0.5	2

209580210

49550

* NEW PART

X ON DEMAND



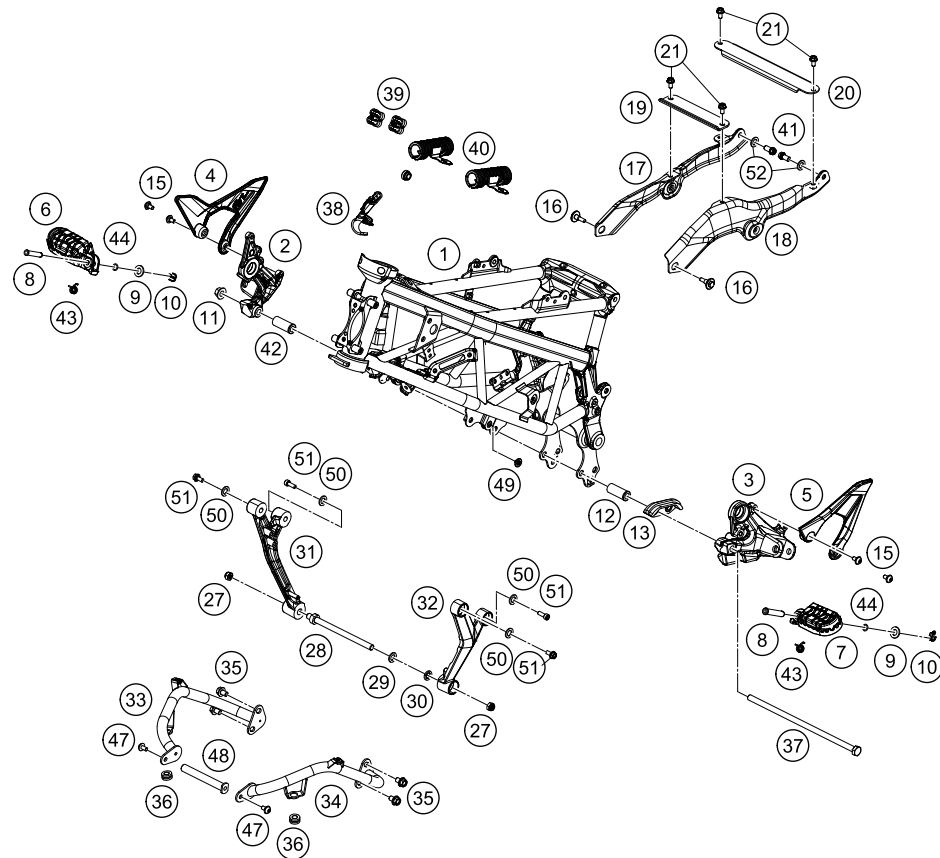
POS	PARTNUMBER	PARTNAME	PIECE
1	95803001000	Frame	1
2	95803039000	Front footpeg bracket, right	1
3	95803038000	Front footpeg bracket, left	1
4	95803139050	Front heel protector right	1
5	95803138040	Front heel protector left	1
6	95803041033	Front footpeg right cpl.	1
7	95803040033	Front footpeg left cpl.	1
8	93003054000	Pin footrest pivot black	2
9	J125080005	WASHER M8	2
10	J094020186	Splint 18x2,5	2
11	90103038002	FLANGED NUT M10X1,25 WS14	1
12	95803038010	Abstandshalter	2
13	95804070000	Chain sliding guard	1
15	93008020060	Screw M6X1X9	8
16	J025080246	Hex collar screw, M8x23.5	1
17	95803001072	Sitzbankauflage Seitenblech re kpl.	1
18	95803001071	Sitzbankauflage Seitenblech li kpl.	1
19	95803001081	Sitzbankauflage Querverbindung vorne	1
20	95803001082	Sitzbankauflage Querverbindung hinten	1
21	J025060122	Hex collar screw M6X12	4
27	J982081250	Self-locking nut M8x1.25 SW13	2
31	93303006000	Engine brace right	1
32	93303005000	Engine brace left 250/390	1
33	95808005000	Mask support pipe, right	1
34	95808006000	Mask support left	1
35	J031080146	Linsenkopf-Schraube M8x14	4
36	93014017000	Rubber bushing	2
37	J025102656	HH COLLAR SCREW M10X1,25X265	1
40	95807012000	Tank support rubber	2
41	90103007000	Bolt Socket Head M8	2
42	95803039010	Distance sleeve	1
43	90103042000	footrest return spring	2
44	J770009015	O-RING 9X1,5	2
47	90808043000	SPECIAL SCREW M6X1X16	2
48	95814010040	Wheel spindle mask support	1
49	90108023100	Clip	1
50	J125080006	Washer M8	4

209580311

53492

* NEW PART

X ON DEMAND



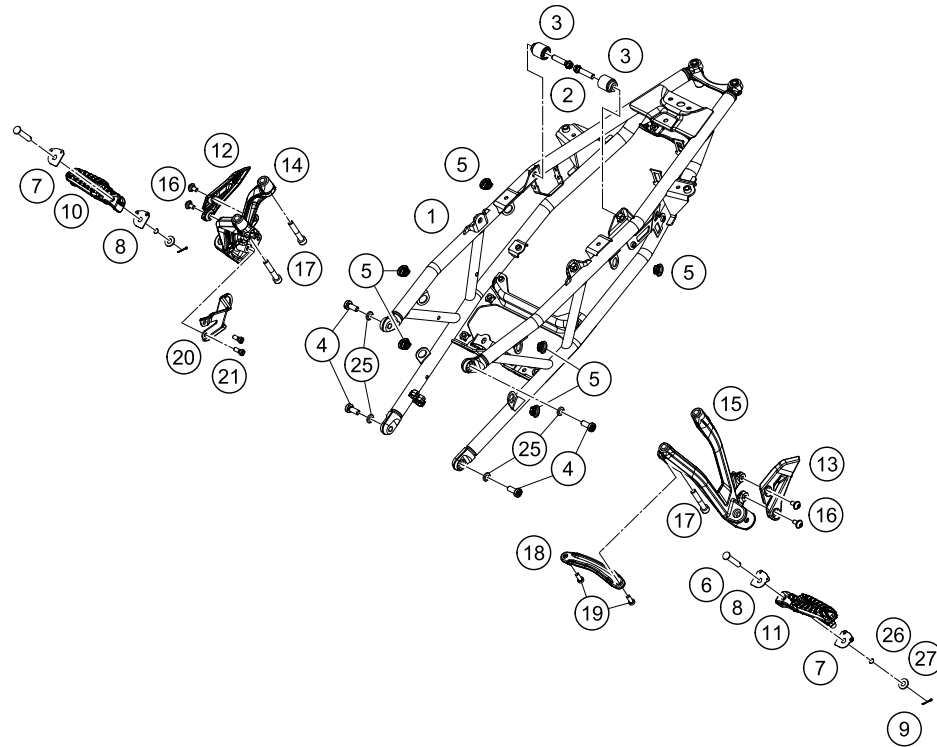
POS	PARTNUMBER	PARTNAME	PIECE
51	J912080251	Hexagon screw M8X25	2
52	J125100002	Washer, M8	2

209580311

53492

* NEW PART

X ON DEMAND



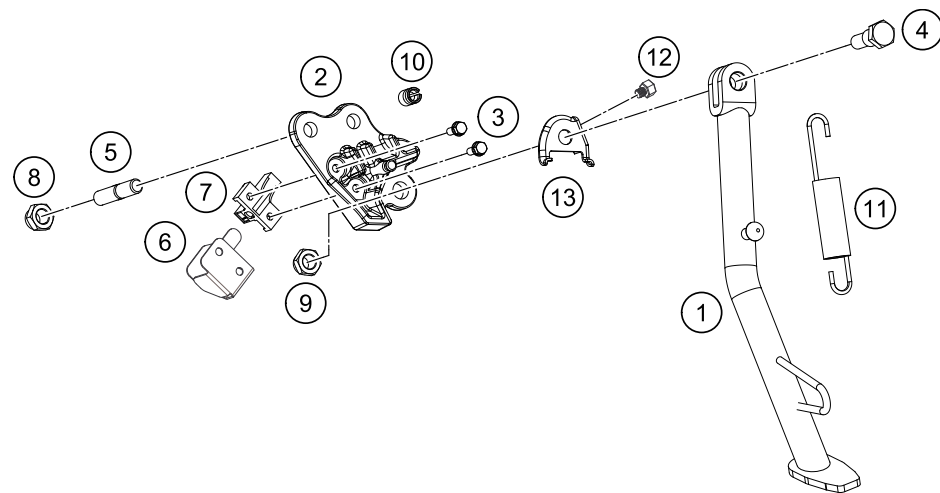
POS	PARTNUMBER	PARTNAME	PIECE
1	95803002000	Subframe	1
2	J900000803500	ISK-Schraube M8x35	2
3	93007047033	Seat support complete	2
4	J912080251	Hexagon screw M8X25	4
5	93011068010	Rubber grommet ignition lock cover	6
6	93003054000	Pin footrest pivot black	2
7	93003052000	Plate lock pillion step top	2
8	93003053000	Plate lock pillion step bottom	2
9	J094018250	PIN 25X1,8MM	2
10	93003151033	Rear footpeg compl. right	1
11	93003150033	Rear footpeg compl. left	1
12	95805089000	Heel protector, rear right	1
13	95805088000	Heel protector, rear left	1
14	95803049000	Footpeg bracket, rear right	1
15	95803048000	Footpeg bracket, rear left	1
16	93008020060	Screw M6X1X9	4
17	J047620804000S	Cap head bolt ISO 4762-M8x40-10.9	4
18	95803056000	Verstärkung Fußrastenträger	1
19	90134098000	Bolt socket head M6X1X20 L-precoated	2
20	95805084000	Silencer retaining bracket compl.	1
21	90511006100	BOLT SOCKET M6X1X14	2
25	J690000801500	Scheibe M8x15	4
26	J770009015	O-RING 9X1,5	2
27	J125080005	WASHER M8	2

209580315

18563

* NEW PART

X ON DEMAND



POS	PARTNUMBER	PARTNAME	PIECE
1	95803023000	Side stand	1
2	95803026000	Side stand bracket	1
3	J011050133	HH COLLAR SCREW M5X13 SW8	2
4	90103027000	SCREW F. SIDE STAND	1
5	95803027000	Threaded bolt M10	2
6	93011045110	Protection, side stand switch	1
7	93511045000	SWITCH SIDE STAND	1
8	93003034000	nut U flang-M10X1.25XHT.8.5XBRT	2
9	J982101253	SELF L. NUT M10X1,25 H11 WS17	1
10	90111040100	Bushing	1
11	90603024000	SIDE STAND SPRING	1
12	93503029000	Magnet Halter	1
13	95803023010	Magnet support	1

209580360

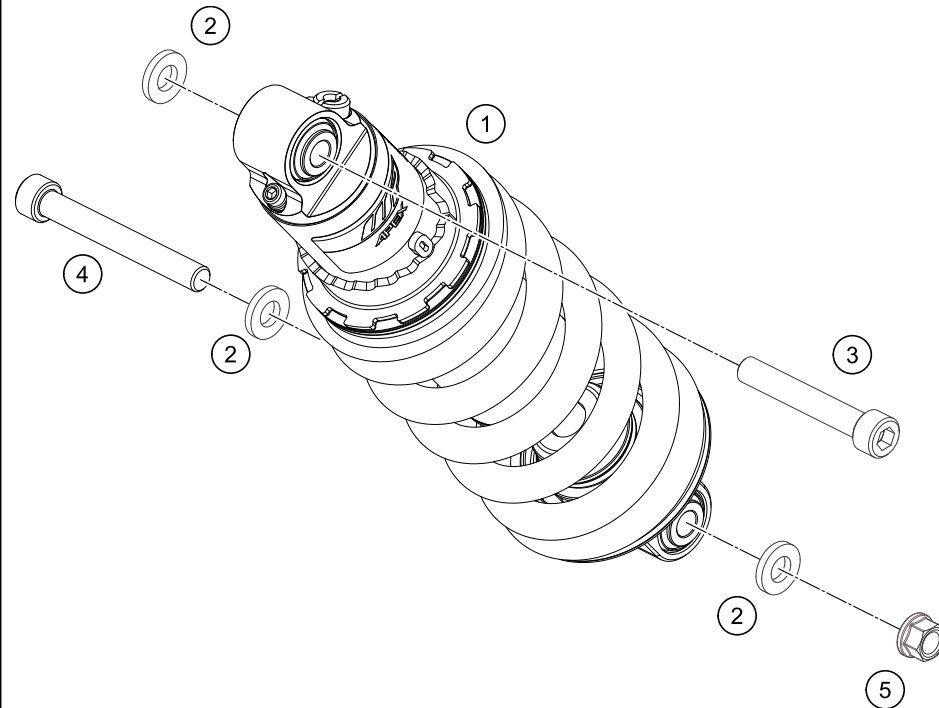
49971

* NEW PART

X ON DEMAND

SHOCK ABSORBER

390 Adventure, orange 2020 EU 2020



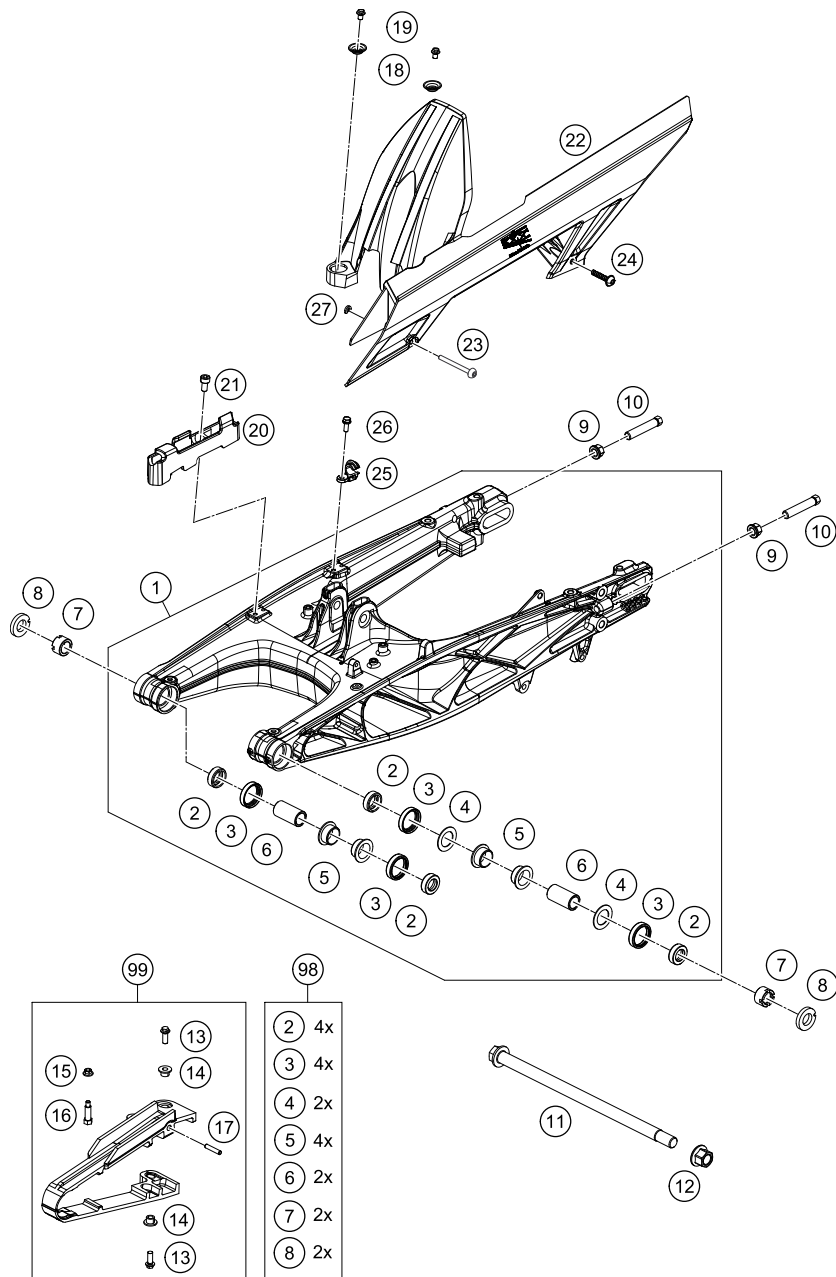
POS	PARTNUMBER	PARTNAME	PIECE
1	95804010000	Shock absorber	1
2	90104010003	PLAIN WASHER 10,2X20X3MM	3
3	93004016100	hexagon socket screw M10X1.25X62	1
4	J020100806	SHCS M10x1.25x80 - 10.9	1
5	90104010002	flanged hex nut M10x1.25 WS13	1

209580410

53194

* NEW PART

X ON DEMAND



POS	PARTNUMBER	PARTNAME	PIECE
1	95804030044	Swingarm cpl.	1
2	90104034000	cup for radial shaft seal	4
3	90104034001	OIL SEAL RING 25X32X7	4
4	90104036000	Thrust washer 22.2x31.7x1	2
5	90104031000	Igus plain bearing	4
6	90104032000	sleeve bushing 15.1x20x38	2
7	90104046000	swingarm adjusting ring	2
8	93004042000	Special wahser	2
9	90104010002	flanged hex nut M10x1.25 WS13	2
10	90104040000	BOLT HEX M10X1,25X50 WS10	2
11	90104037000	Shaft swing arm L=299mm	1
12	90104038000	FLANGED NUT M14X1,5	1
13	J025060169	HH COLLAR SCREW M6X16 SW8	2
14	90604062000	chain slider bushing	2
15	J06923050053	Hex collar nut, M5	1
16	90104040100	screw M5x0.8x30	1
17	90904070020	SLEEVE CHAIN GUARD	1
18	93004051000	Supporting shell	2
19	J025060081	Hex collar screw M6X8	2
20	93013047000	Support	1
21	J912050102	ISK-Schraube M5x10	1
22	93004060100	Chain cover	1
23	93004065000	hexagon socket screw M5X0.8X55	1
24	93004064000	Plastic screw 6x30	1
25	90113047000	brake hose guide	1
26	J011050133	HH COLLAR SCREW M5X13 SW8	1
27	90504067000	WASHER CHAIN SLIDING GUARD	1
98	90104230010	SWINGARM REP. KIT 11-17	x
99	90104066210	CHAIN GUARD KIT 250/390	x

209580490

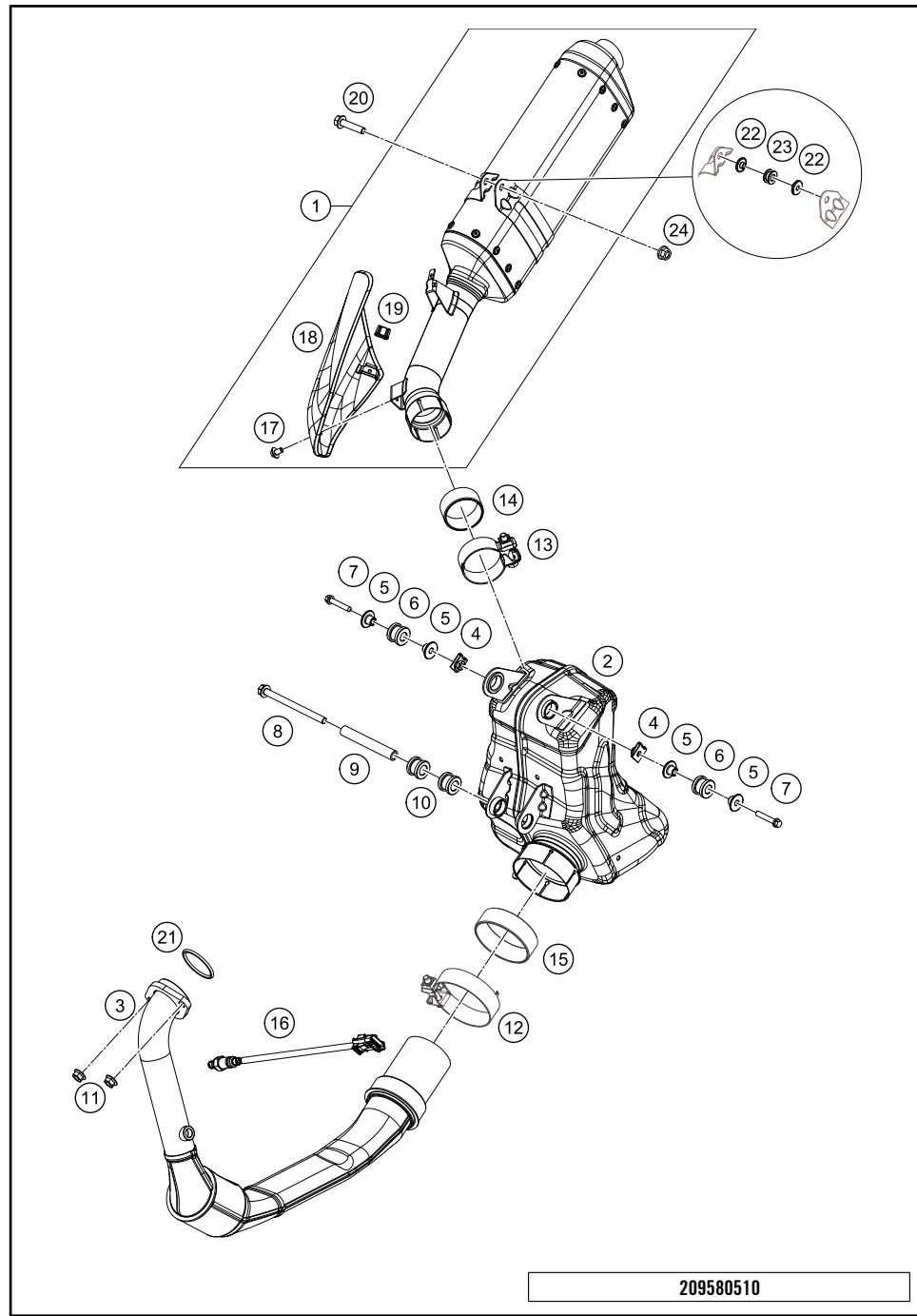
52002

* NEW PART

X ON DEMAND

EXHAUST SYSTEM

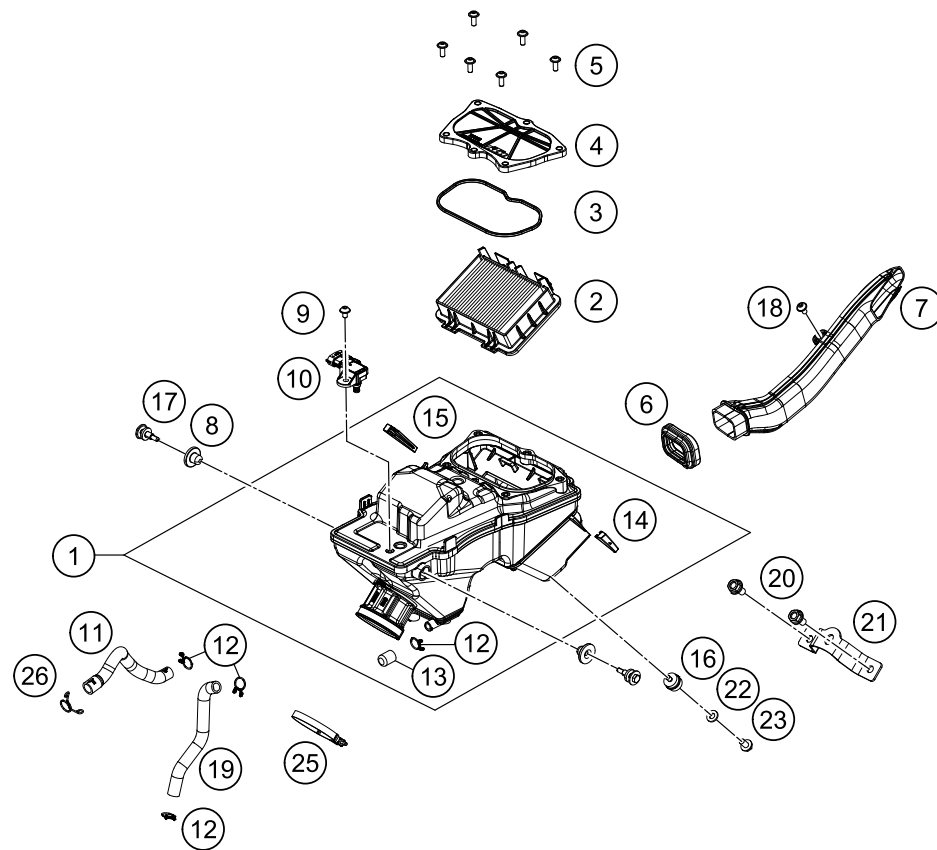
390 Adventure, orange 2020 EU 2020



POS	PARTNUMBER	PARTNAME	PIECE
1	95805083000	Muffer	1
2	28105050000	Premuffer	1
3	94305007031	Header, inflow 1st catalytic converter	1
4	90103097000	clip nut	2
5	90205086001	muffer mounting spacer bushing	4
6	90205068000	damper, bottom	2
7	90105000002	BOLT SILENCER MTG	2
8	J027081053	HH COLLAR SCREW M8X105 SW12	1
9	90105084000	muffer mounting tube	1
10	90105068100	damper, bottom	2
11	J926080003	Hex collar nut M6	2
12	94305051000	Exhaust clamp	1
13	95805051010	Auspuffrohrschele	1
14	94305050071	Exhaust flange gasket, muffer	1
15	94305050072	Exhaust flange gasket, premuffer	1
16	94341090000	Oxygen sensor	1
17	J031060103	Lens head screw M6X10	1
18	95805090033	Heat protection, rear	1
19	93805011003	GROMMET MUFFLER SHIELD	2
20	J025080353	BOLT FLANGED M8X35	1
21	90105004000	exhaust flange gasket	1
22	93805095000	BUSH MUFFLER	2
23	93805096000	DAMPER MUFFLER	1
24	J692080006	nut hex flange-M8x1.25x18xdacro	1

18448

* NEW PART X ON DEMAND



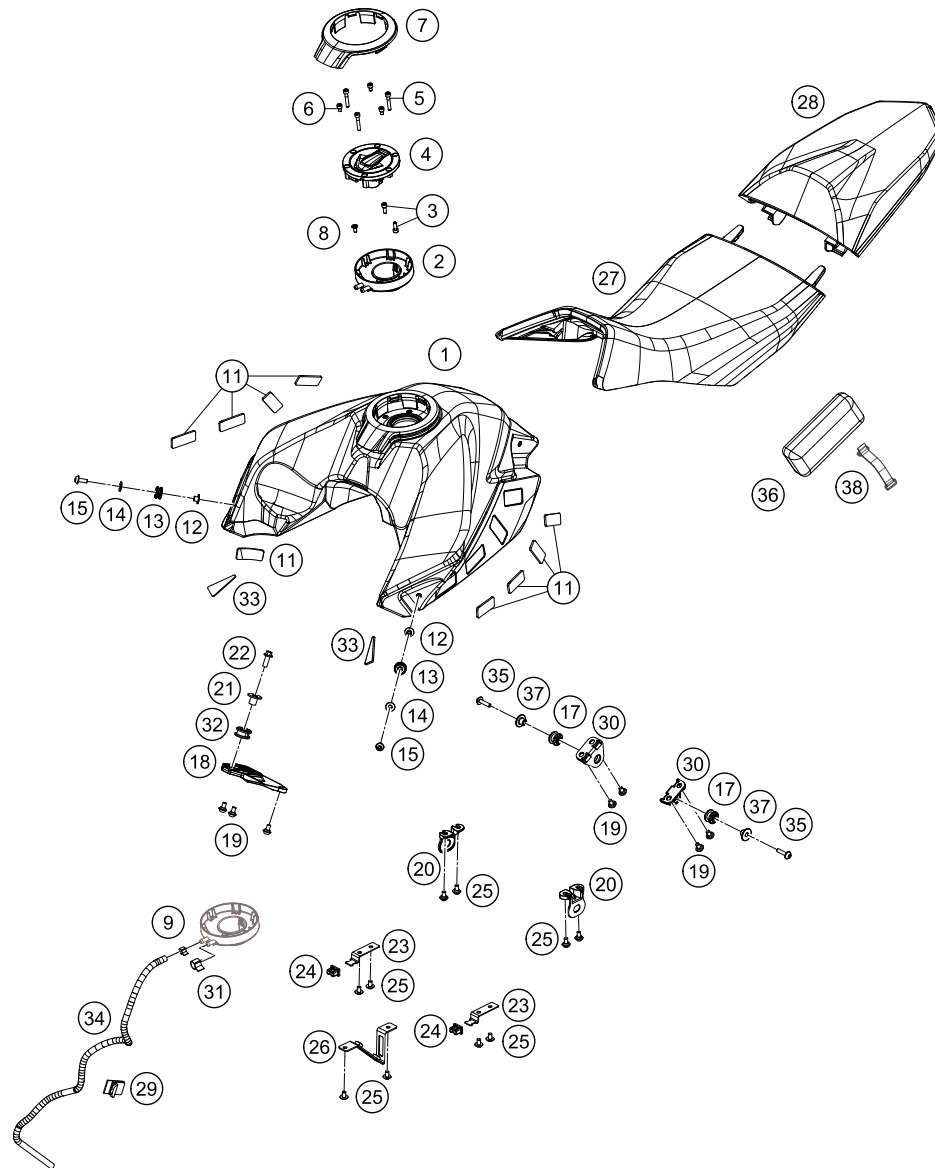
POS	PARTNUMBER	PARTNAME	PIECE
1	95806001044	Air filter box cpl.	1
2	93006015000	FILTER	1
3	93006020050	Seal	1
4	93006002000	Air filter box cover	1
5	93006039000	Flat-head screw M6	6
6	93006001060	Carburetor connection boot	1
7	95806040000	Intake snorkel	1
8	93006001080	Damping rubber	2
9	J031060103	Lens head screw M6X10	1
10	90141071000	TMAP-SENSOR	1
11	93030087050	Engine vent hose	1
12	90130087001	HOSE CLAMP	4
13	93030089000	Plug	1
14	93006001015	Rubber cowl pad	1
15	93006021000	Distance piece air filter box right	1
16	90106001007	SILENT BLOCK AIRFILTER	1
17	J025080246	Hex collar screw, M8x23.5	2
18	90508006001	SOCKET HEAD BOLT M6X12	1
19	93030088050	Engine vent hose	1
20	J025060122	Hex collar screw M6X12	2
21	95803002021	Retaining bracket, air filter box	1
22	J125060004	Washer, M6	1
23	J025060082	bolt-flanged-small	1
25	90241002010	hose clamp	1
26	90607017000	CLAMP 16MM	1

209580610

49081

* NEW PART

X ON DEMAND



POS	PARTNUMBER	PARTNAME	PIECE
1	95807013000EB	Kraftstofftank	1
2	95807008050	Tank insert	1
3	90508018001	SOCKET HEAD BOLT M5X12	2
4	63507008000	Fuel tank cap	1
5	J912050303	ISK-Schraube M5x30	3
6	J912050106	BOLT MASTER KAC	3
7	95807058000	Fuel tank fairing	1
8	J900000501201	Senkkopfschraube M5x12	1
9	90607017002	CLAMP D9	1
11	95807012020	Tank support rubber	10
12	95807013070	Tank bushing	2
13	95807013060	Tank bushing	2
14	95807013090	Tank washer	2
15	90808043000	SPECIAL SCREW M6X1X16	2
17	69007027000	rubber grommet, tank mounting	3
18	95807013040	Tankbefestigung unten	1
19	93008020060	Screw M6X1X9	7
20	95807013015	Halteblech Spoiler	2
21	95807028000	Collar bushing	1
22	J025080256	Hex collar screw, M8x25	1
23	95807013025	Inside cover retaining bracket	2
24	90108060002	DAMP. RUBBER II RADIATOR PROT	2
25	J031060103	Lens head screw M6X10	10
26	95842091000	Retaining bracket 3D sensor compl.	1
27	95807040000	Seat 390 Adventure	1
28	95807047000	seat passenger 390 Adv.	1
29	90107029000	BRACKET DRAIN TUBE CPL.	1
30	95807013030	Halteleasche Tank	2
31	90607017003	SPRING BAND CLAMP D13	1
32	95807027000	Rubber grommet	1
33	95807012010	Tank support rubber, spoiler	2
34	95815000680	Act. charcoal filter hose L=680mm	1
35	J031060253	Linsenkopf-Schraube M6x25	2
36	95829099000	Tool set	1
37	J800000701500	Collar bushing	2
38	95808023020	Rubber band, tool set	1

209580710

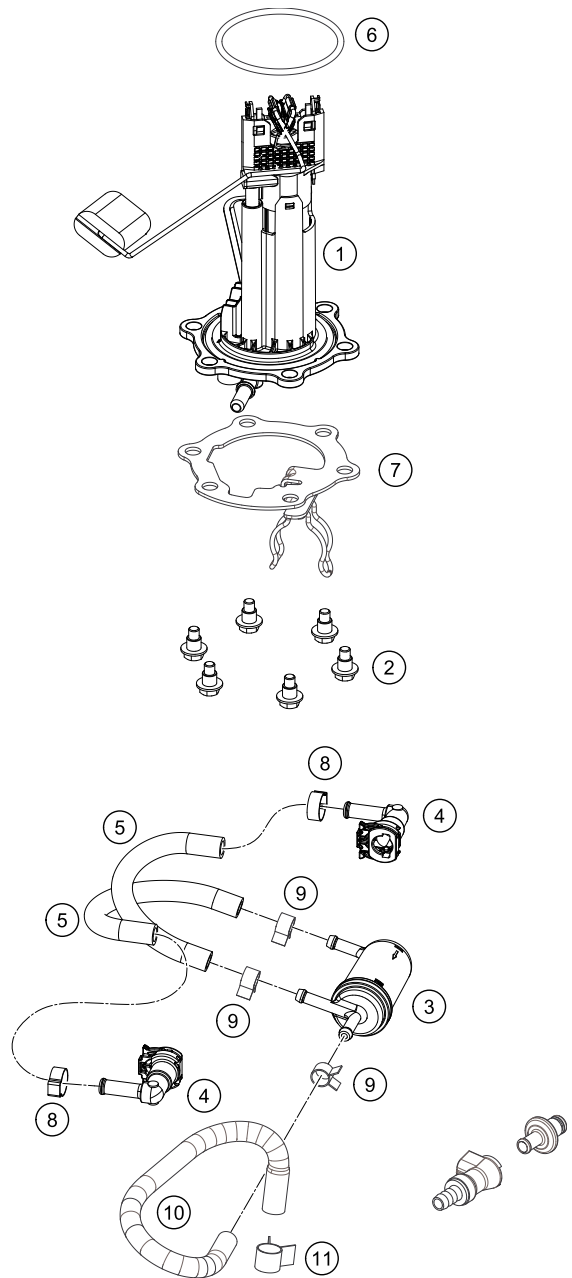
54147

* NEW PART

X ON DEMAND

FUEL PUMP

390 Adventure, orange 2020 EU 2020



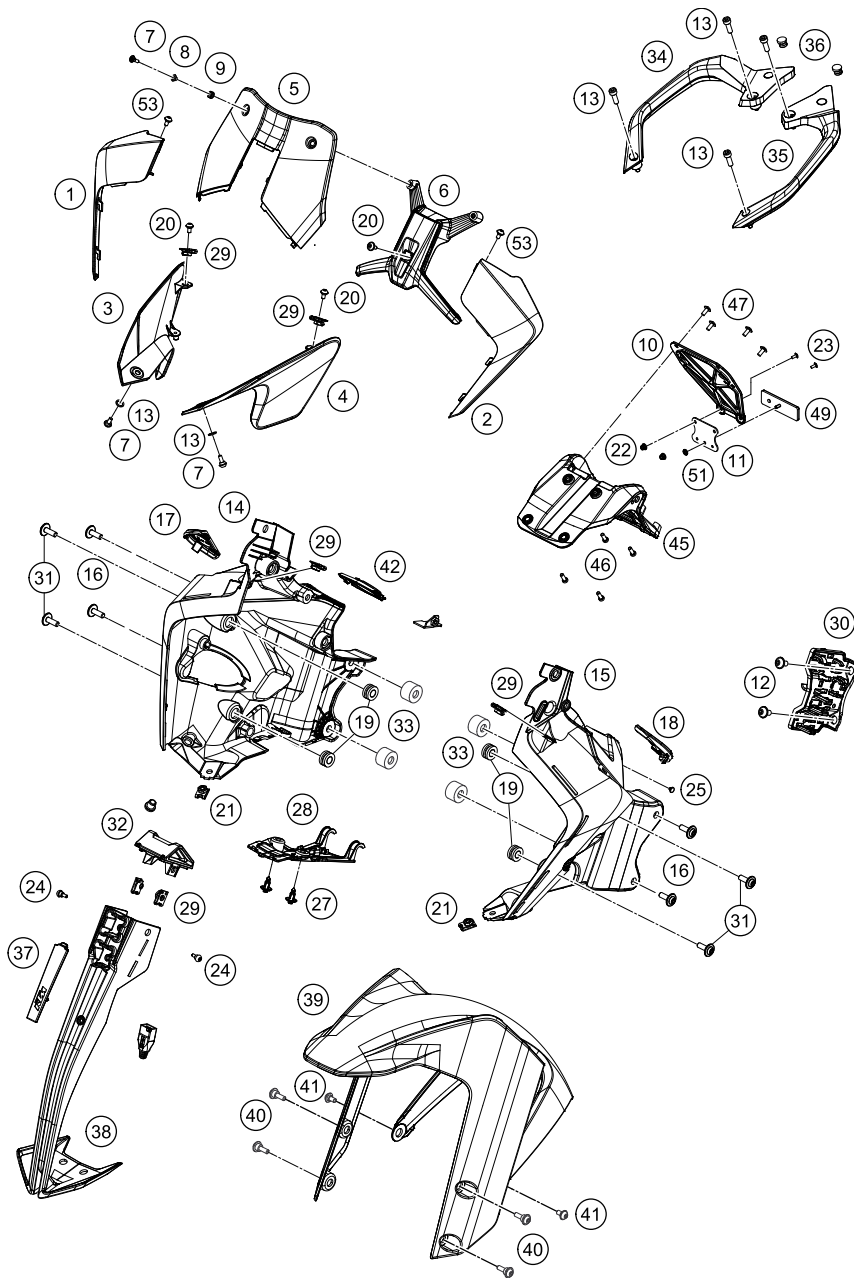
POS	PARTNUMBER	PARTNAME	PIECE
1	95807088000	Fuel pump	1
2	J031060186	Linsenkopf-Schraube M6x18	6
3	90107018000	FUEL FILTER	1
4	28107028000	Angle piece	2
5	95807016050	Hose, gasoline resistant	2
6	93007089000	Fuel pump seal	1
7	95807013050	Fuel pump flange	1
8	00050148706	Variable single tube clamp 14.8 mm	2
9	90107018011	CLAMP 10MM	3
10	95807016060	Hose, gasoline resistant	1
11	90607017003	SPRING BAND CLAMP D13	1

209580730

53191

* NEW PART

X ON DEMAND



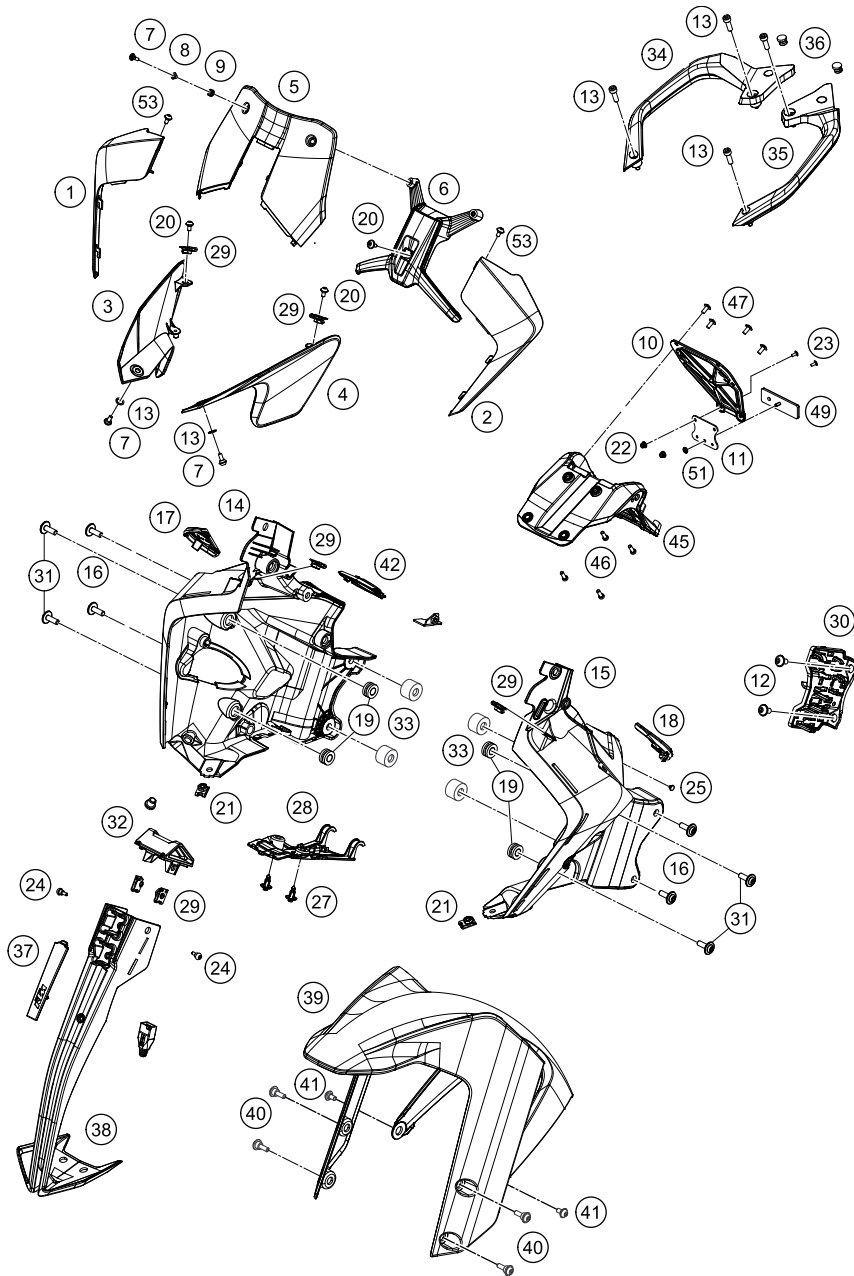
POS	PARTNUMBER	PARTNAME	PIECE
1	95808001020	headlight mask right	1
2	95808001010	Headlight mask, left	1
3	95808004000	spoiler right	1
4	95808003000	spoiler left	1
5	95808108000	Windshield R EU	1
6	95808008050	Windshield holder	1
7	J031060183	Roundhead screw M5X18	2
8	93014062010	Collar TFT speedo small	2
9	90507040001	RUBBER SLEEVE	2
10	95812181000	Rückstrahlerhalter	1
11	90514044000	REFLECTOR MOUNTING	1
13	J912080306	Bolt soket-M8X1.25XL30XBLXPRECOT	4
14	95814011000	Mask support, right	1
15	95814010000	Maskcarrier left	1
16	90508006003	AH SCREW M6X1X20	4
17	95814011080	Connector cover, right	1
18	95814010080	Connector cover, left	1
19	93014017000	Rubber bushing	4
20	J031050101	Linsenkopf-Schraube M5x10	5
21	93008084010	Range change metal nut M6	2
22	90102031010	HEX NUT M5 AF8	2
23	J005050123	FLAT HEAD SCREW M5X12 PH	2
24	95814013010	Oval head screw M5x10	2
25	J650001000200	Plug	1
27	93814050000	RIVET	2
28	95814010020	Cable cover, mask support	1
29	93008083010	Clip Nut M5	6
30	95811048000	Front connector support	1
31	J031060101	Linsenkopf-Schraube M6x10	4
32	95814011020	Cover mask support	1
33	95803001088	Bushing	4
34	95812009000	Holding bracket, right	1
35	95812008000	Holding bracket, left	1
36	95812008030	Cover	2
37	95814012010	Headlight mask cover	1
38	95814012000	Headlightmask centerpart	1
39	95808010000	Front fender	1
40	95808010070	Roundhead screw, M6x16	4

209580810

49957

* NEW PART

X ON DEMAND



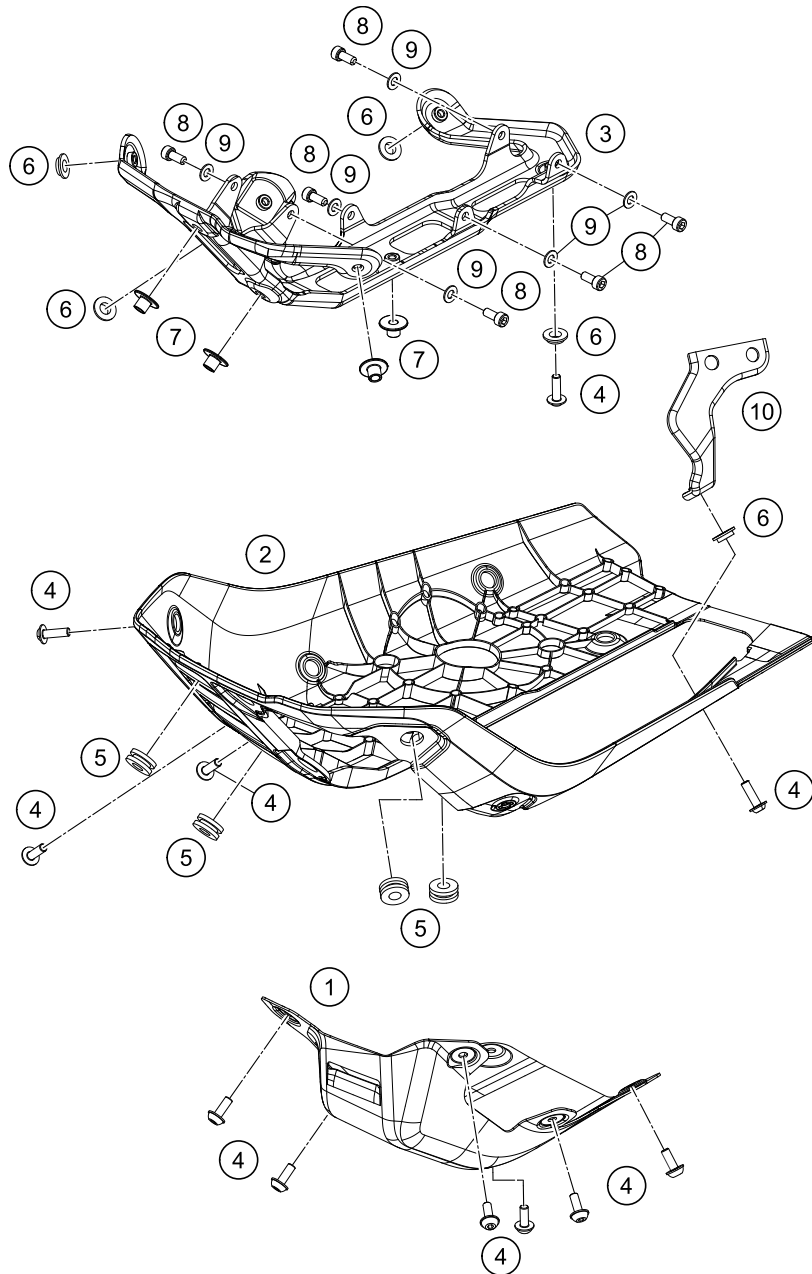
POS	PARTNUMBER	PARTNAME	PIECE
41	J900000601200	Oval head screw M6x12	2
42	95811042050	Cover, 12#V power socket	1
45	95808015000	numberplate carrier	1
46	J900000601601S	Cyl.screw M6x16-8.8	4
47	93008037000	Panhead screw M6	4
49	90514045000	REFLECTOR	1
51	J06923050053	Hex collar nut, M5	1
53	J031050136	Linsenkopf-Schraube M5x13	2

209580810

49957

* NEW PART

X ON DEMAND



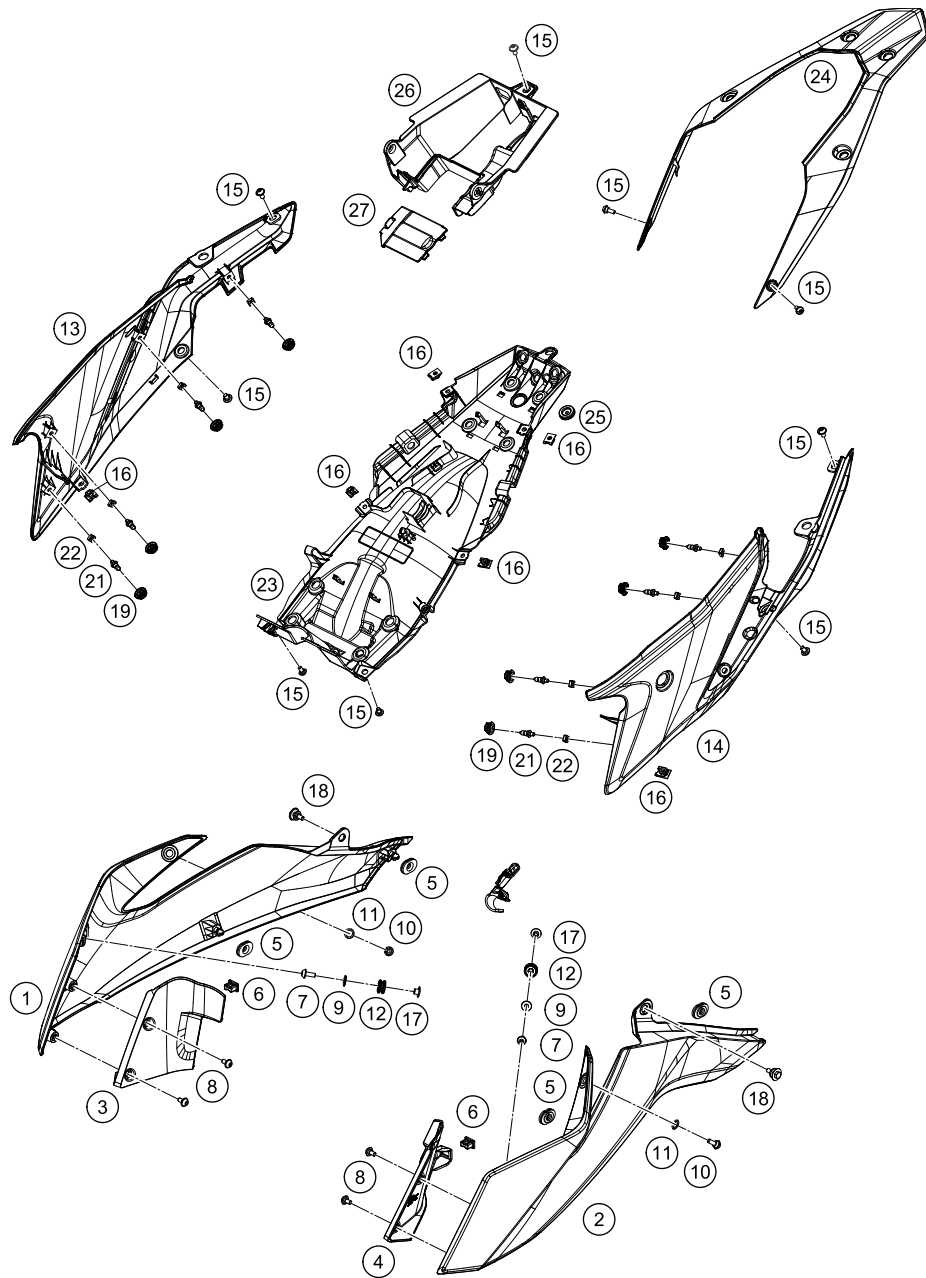
POS	PARTNUMBER	PARTNAME	PIECE
1	95808020010	Front spoiler, front part	1
2	95808020000	Front spoiler	1
3	95808020050	Retaining bracket, front spoiler	1
4	90508006003	AH SCREW M6X1X20	11
5	93008028050	Rubber bushing	4
6	95808020030	Bushing	5
7	93035065030	distance sleeve	4
8	90502012001	BOLT SOCKET-M6X1XL14XCL 10.9XB	6
9	J125060006	Washer M6	6
10	95808020025	Rear retaining bracket, front spoiler	1

209580815

49551

* NEW PART

X ON DEMAND



POS	PARTNUMBER	PARTNAME	PIECE
1	95808051000CAA	Tankspoiler rechts	1
2	95808050000CAA	Tankspoiler links	1
3	95808026000	Inside cover right	1
4	95808025000	Innenverkleidung oben links	1
5	90108060003	GROMMET	4
6	90108060002	DAMP. RUBBER II RADIATOR PROT	2
7	90808043000	SPECIAL SCREW M6X1X16	2
8	93008040000	Screw M6X1X13	4
9	J125060005	Scheibe 6,2x16x1	2
10	J031060166	Linsenkopf-Schraube M6x16	2
11	93009059000	Washer nylon	2
12	95807013060	Tank bushing	2
13	95808042000	Heckverkleidung rechts	1
14	95808041000	rear cover	1
15	93008020060	Screw M6X1X9	9
16	93008084010	Range change metal nut M6	2
17	95807013070	Tank bushing	2
18	J025060196	SK-Bundschraube M6x19	2
19	93011068010	Rubber grommet ignition lock cover	6
21	95808041010	Pin quick release	8
22	95808041020	Special nut	8
23	95808019000	rear lower part	1
24	95808013000CAA	Kotflügel hinten	1
25	95808019010	Rubber grommet, wire support sleeve	1
26	95808023000	Rear part inner cover	1
27	95808023010	Starter relay cover	1

209580820

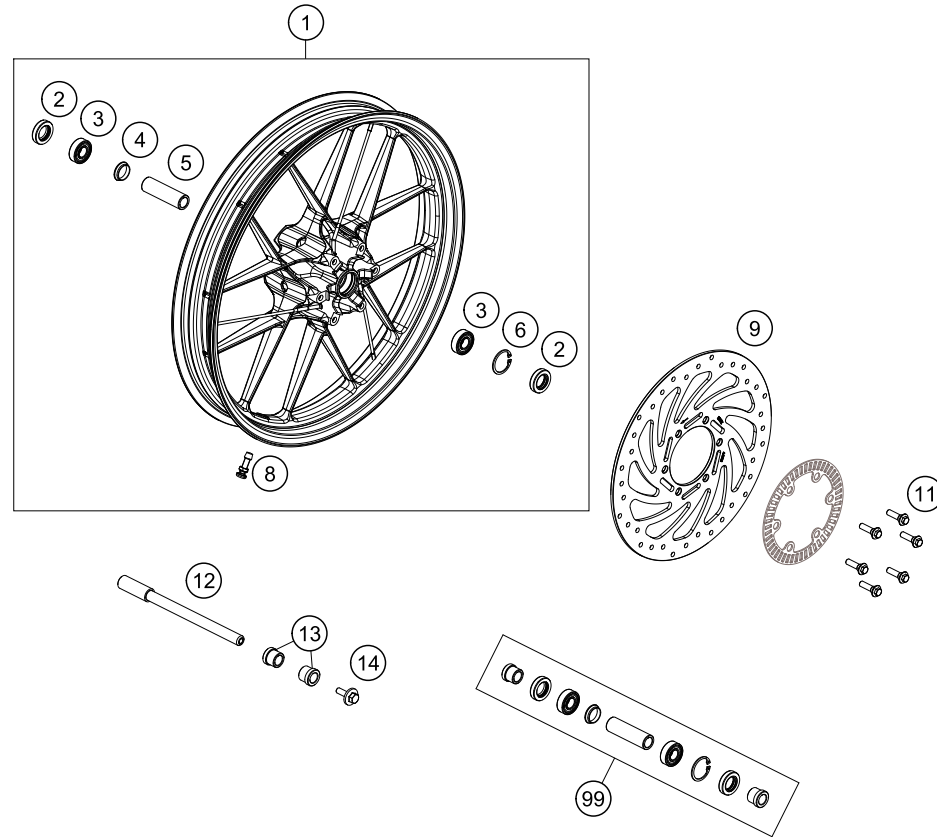
54148

* NEW PART

X ON DEMAND

FRONT WHEEL

390 Adventure, orange 2020 EU 2020



POS	PARTNUMBER	PARTNAME	PIECE
1	95809001044C1	Vorderrad kpl. schwarz	1
2	J760223508	SHAFT SEAL RING 22X35X8	2
3	J625062023	BALL BEARING 6202	2
4	90109011001	Fixation bearing spacer tube	1
5	90109011000	Spacer front wheel	1
6	J472035150	Circlip 35X1,5	1
8	90109076000	VALVE CPL.	1
9	95809060000	Front brake disc	1
11	90110062000	SPECIAL SCREW M8X25 SELF LOCK.	6
12	93009081000	Front axle	1
13	90209083000	BEARING BUSHING	2
14	90109082000	flanged bolt M8	1
99	90109015100	FRONT WHEEL REP. KIT	1

209580910

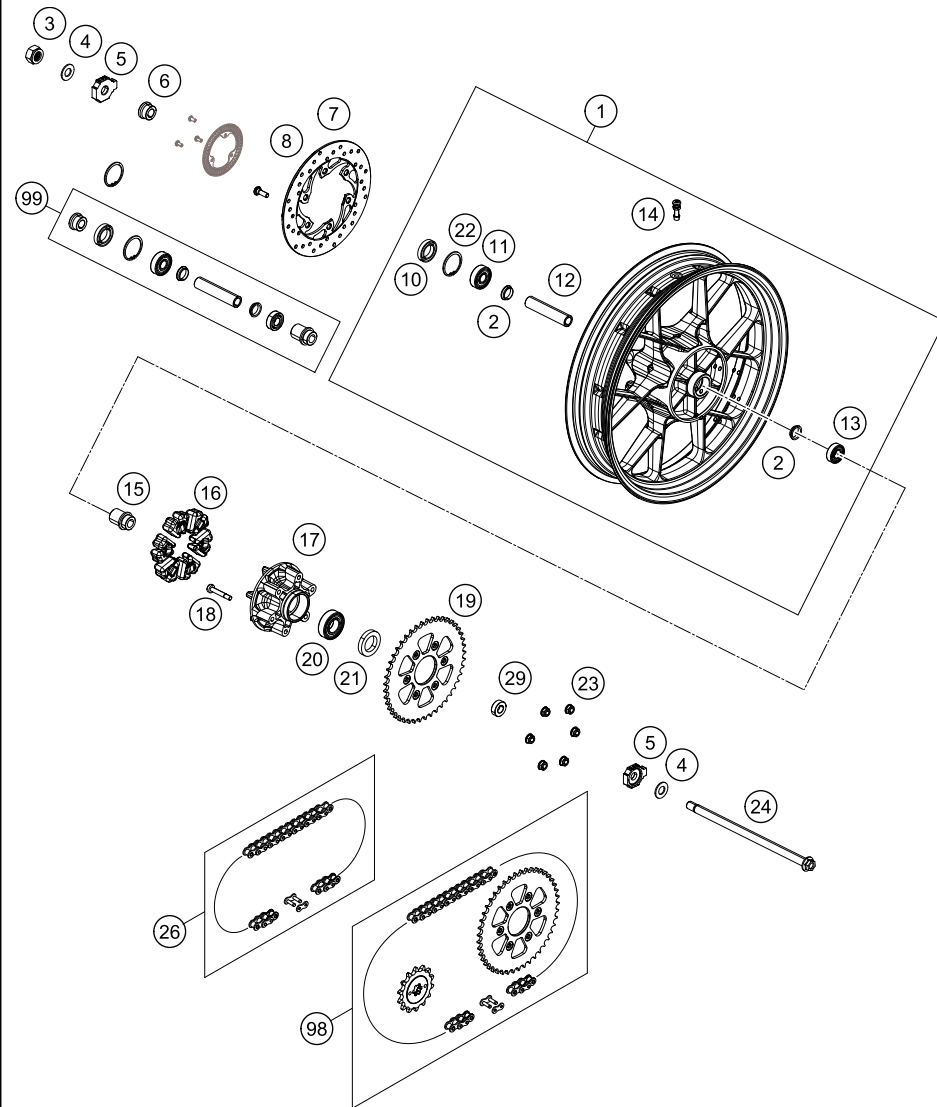
49537

* NEW PART

X ON DEMAND

REAR WHEEL

390 Adventure, orange 2020 EU 2020



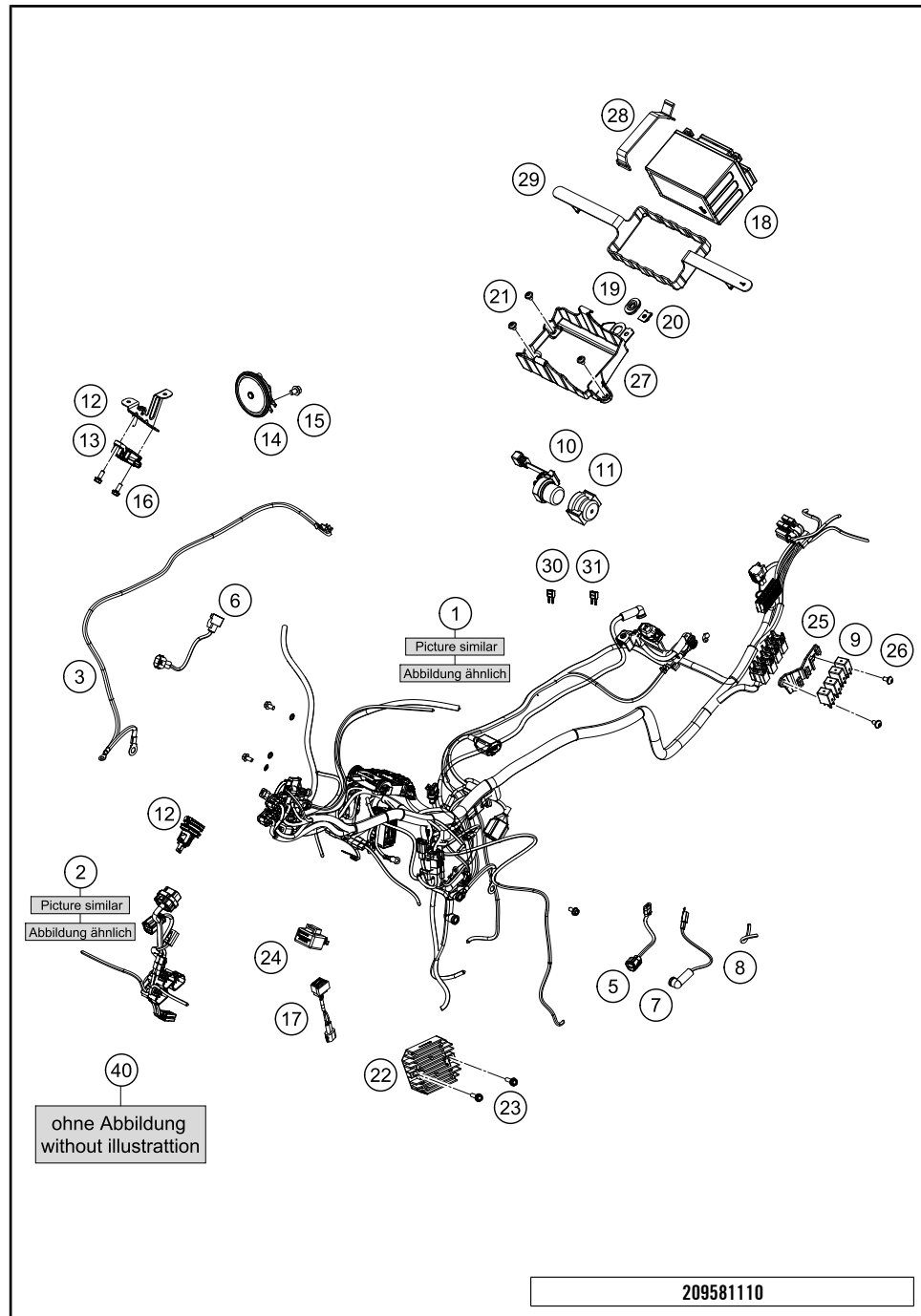
POS	PARTNUMBER	PARTNAME	PIECE
1	95810001044C1	Hinterrad kpl. schwarz	1
2	90109011001	Fixation bearing spacer tube	2
3	90210086000	wheel spindle nut, rear	1
4	90610087000	washer 15.2x30x2	2
5	90110084000	chain tension adjuster, right	2
6	90110013000	SPACER BUSHING REAR WHEEL R/S	1
7	90110060000	rear brake disk D=230mm	1
8	90110062000	SPECIAL SCREW M8X25 SELF LOCK.	6
10	J760264208	SHAFT SEAL RING 26X42X8	1
11	J625063021	Grooved ball bearing 6302	1
12	90110011000	BEARING SPACER TUBE REAR	1
13	J625062023	BALL BEARING 6202	1
14	90109076000	VALVE CPL.	1
15	90610054000	SPACER BUSHING KRT INSIDE	1
16	90210059100	rear wheel dampening rubber	6
17	90210050000	SPROCKET SUPPORT	1
18	90810052000	SPECIAL SCREW M8X48	6
19	95810051045	Rear sprocket 45T	1
20	J625062050	BALL BEARING 6205	1
21	J760295207	SHAFT SEAL RING 29X52X7	1
22	J472042170	CIRCLIP	1
23	90510052000	FLANGED NUT M8X1,25	6
24	90210085000	Axle rear KT03	1
26	78010167118	CHAIN DID 118 LINKS	1
29	90110053000	SPACER CHAIN WHEEL SUPPORT	1
98	00050002114	Drivetrain kit 15Z/45Z	1
99	00050002115	Repair kit rear wheel	x

209581010

48110

* NEW PART

X ON DEMAND



POS	PARTNUMBER	PARTNAME	PIECE
1	95811075000	Main wiring harness	1
2	95811078000	Wiring harness mask	1
3	95811097000	Earth wire	1
5	93811099000	wiring harness temperatur sensor	1
6	93041080050	Cable	1
7	93038091000	Pigtail oil pressure switch	1
8	93511084000	PIGTAIL PH-3 FUEL PUMP	1
9	90611057000	relay (interlock)	4
10	90111058000	STARTER RELAY	1
11	95811058050	Rubber grommet, starter relay	1
12	95811042033	Power socket, cmpl.	1
13	60342090000	SLOPING POSITIONS SENSOR	1
14	95811060100	Horn	1
15	J025080123	HH COLLAR SCREW M8X12 SW12	1
16	J025060167	SK-Bundschrabe M6x16	2
17	28111096000	Transil unit	1
18	90611053000	BATTERY 12V/8AH	1
19	95811055010	Rubber grommet	1
20	93008084010	Range change metal nut M6	1
21	90808073000	SPECIAL SCREW M6X1X10	3
22	90511034000	voltage regulator	1
23	J025060303	FLANGED BOLT M6X30 WS10	2
24	90511030000	indicator relay	1
25	95811031000	Relay bracket	1
26	90508006001	SOCKET HEAD BOLT M6X12	2
27	95811055000	battery holder plate	1
28	95811055070	Battery retaining pin top	1
29	95811055060	Battery retaining pin	1
30	93511088000	Fuse 10a	6
31	75011088015	FUSE 15A 07	4
40	93042033000	Cable earth ABS	1

209581110

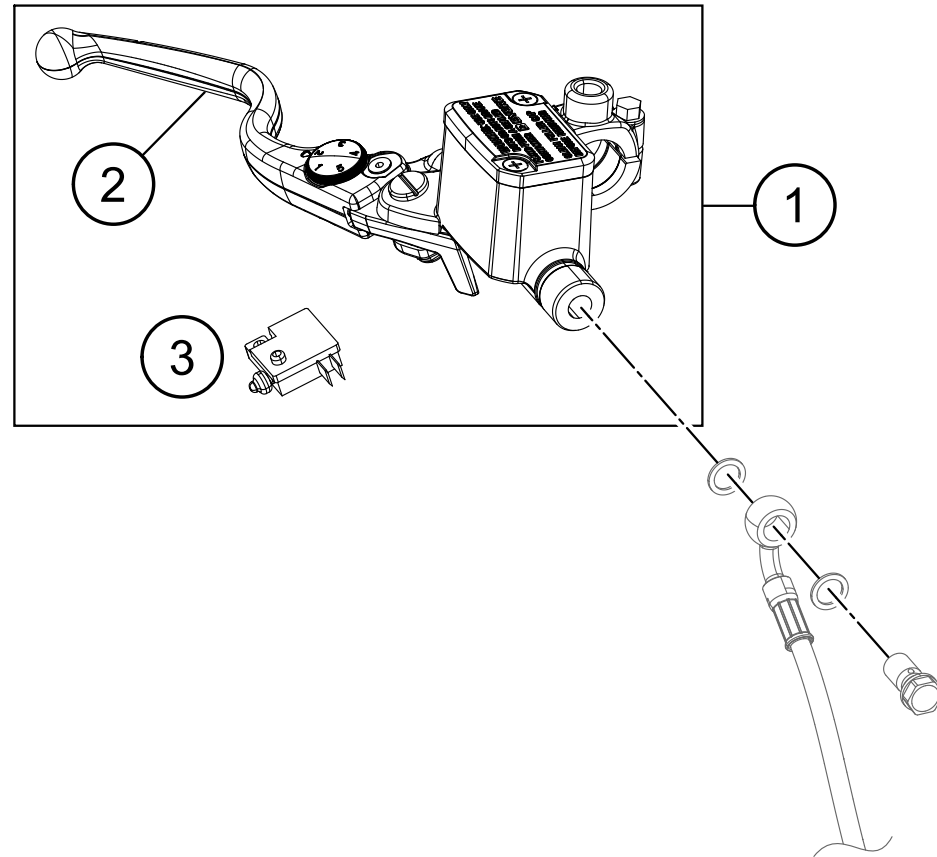
52259

* NEW PART

X ON DEMAND

FRONT BRAKE CONTROL

390 Adventure, orange 2020 EU 2020



POS	PARTNUMBER	PARTNAME	PIECE
1	28513001033	Front master cylinder PAU	1
2	93713002033	Brake lever cpl.	1
3	90111050000	brake light switch, front	1

209581310

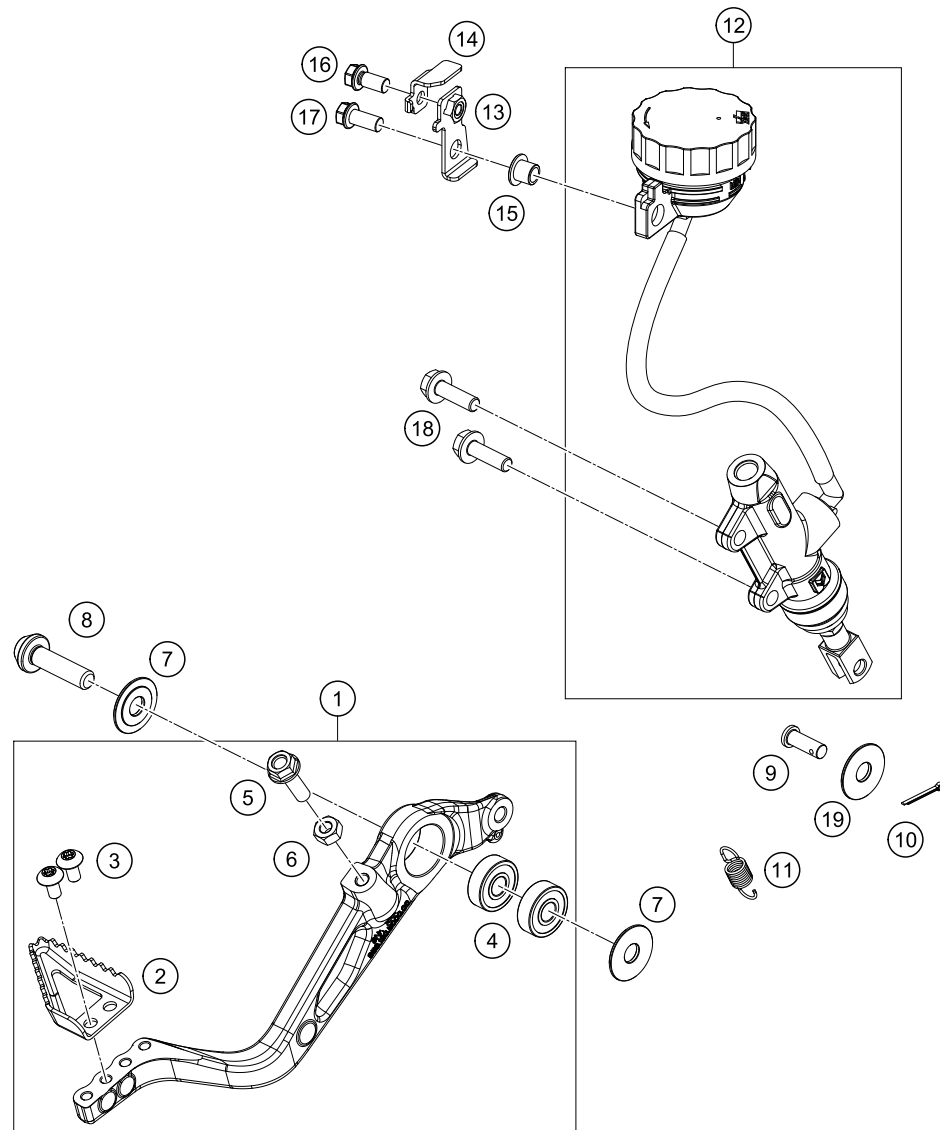
52777

* NEW PART

X ON DEMAND

REAR BRAKE CONTROL

390 Adventure, orange 2020 EU 2020



209581330

POS	PARTNUMBER	PARTNAME	PIECE
1	95813050044	Rear brake lever compl.	1
2	95813051000	Brake pedal step plate	1
3	J031050106	Linsenkopf-Schraube M5x10	2
4	J625060800	BALL BEARING 608	2
5	J025060203	HH COLLAR SCREW M6X20 SW10	1
6	J934060001	nut hex thick	1
7	90534031020	WASHER SHIFTING LEVER	2
8	90534034300	BOLT SHIFT LEVER	1
9	90113057000	pin for fork end	1
10	J094020153	splint pin 2x15mm	1
11	J500000700100	Feder	1
12	95813060044	Rear master cylinder, compl.	1
13	93013068000	Sheet	1
14	93013068010	Bracket, reservoir	1
15	93035065020	Spacer bushing	1
16	J025050103	HH-COLLAR SCREW M5X10	1
17	J025060181	Hex collar screw M6X18	1
18	90130059000	HH COLLAR SCREW M6X16	2
19	J125070001	Washer nylon 6.5X16X1	1

18454

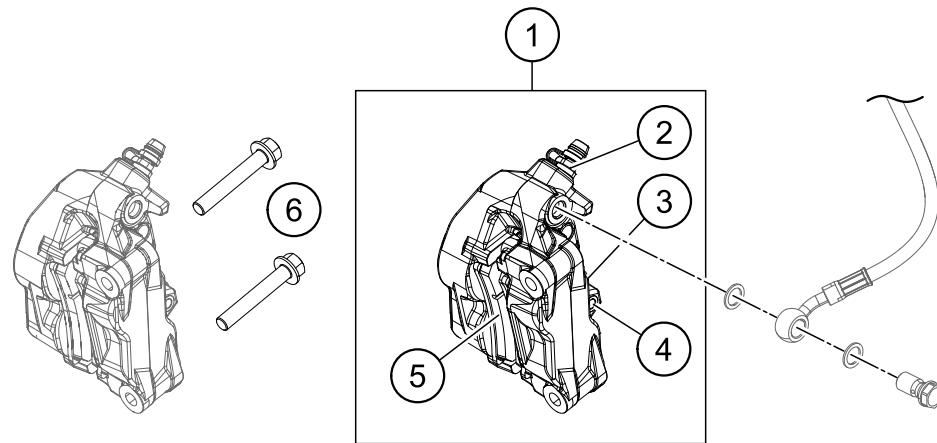
* NEW PART

X ON DEMAND

FRONT BRAKE CALIPER

390 Adventure, orange 2020 EU 2020

POS	PARTNUMBER	PARTNAME	PIECE
1	93713015000	brake caliper, radial	1
2	90113021000	BLEEDER SCREW	1
3	90113018000	SPRING CLIP	1
4	90113017000	BOLT F. BRAKE PADS	1
5	90813030000	BRAKE PAD FRONT TT2910HH	1
6	J01008060S	HH collar screw M8x1x60	2



209581360

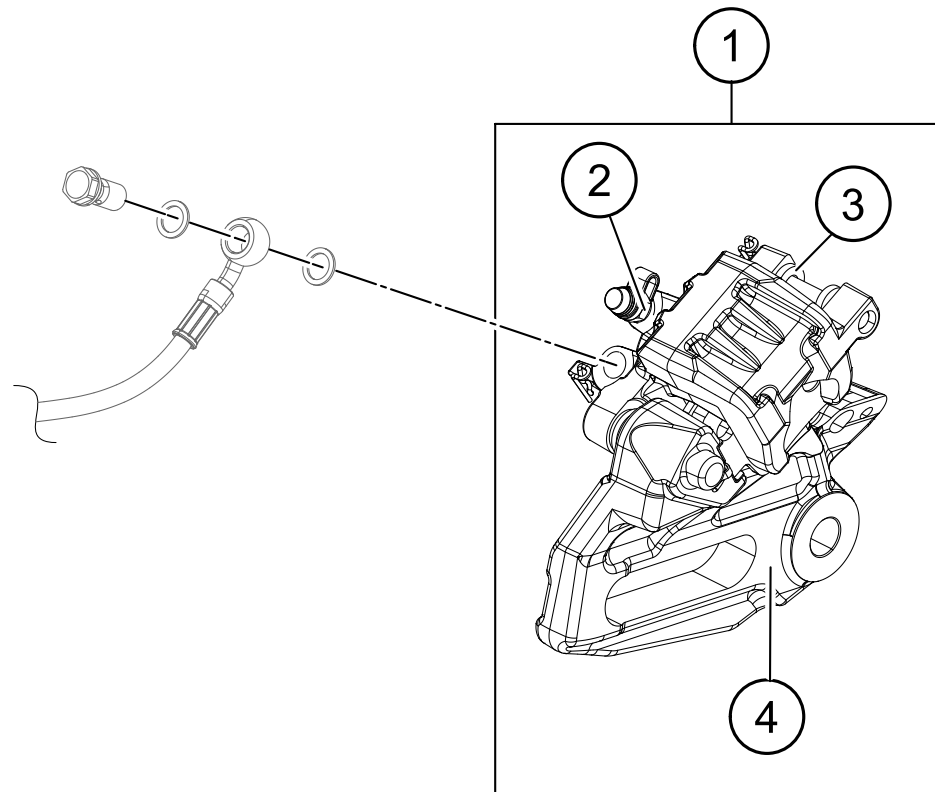
52778

* NEW PART

X ON DEMAND

REAR BRAKE CALIPER

390 Adventure, orange 2020 EU 2020



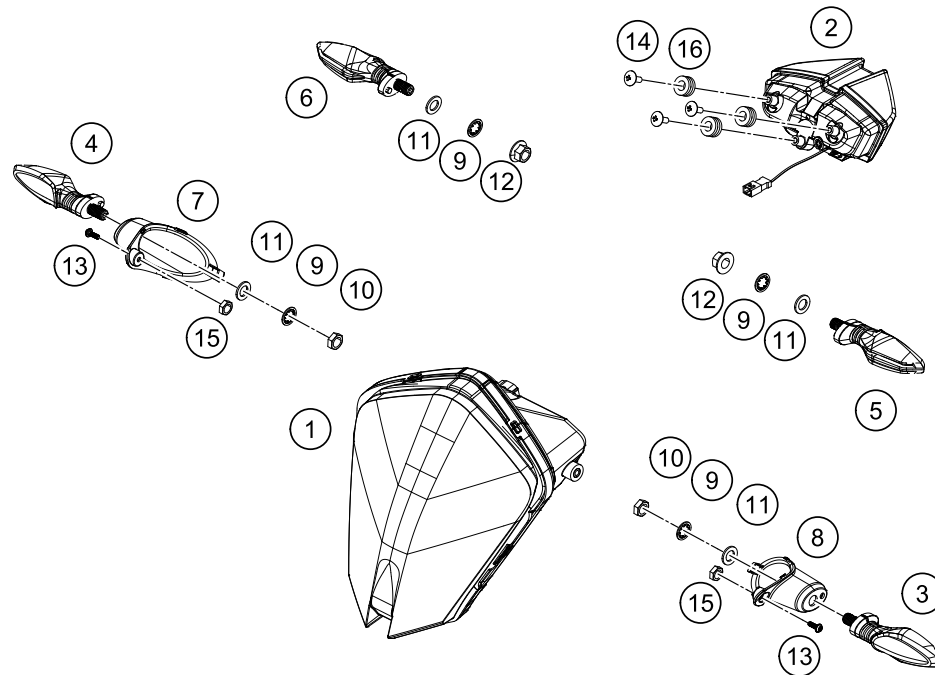
POS	PARTNUMBER	PARTNAME	PIECE
1	90113080000	brake caliper, rear cpl.	1
2	90113121000	BLEEDER SCREW	1
3	90113090000	REAR BRAKE PADS - SET	1
4	90113075000	BRAKE CALIPER SUPPORT REAR	1

209581390

52780

* NEW PART

X ON DEMAND



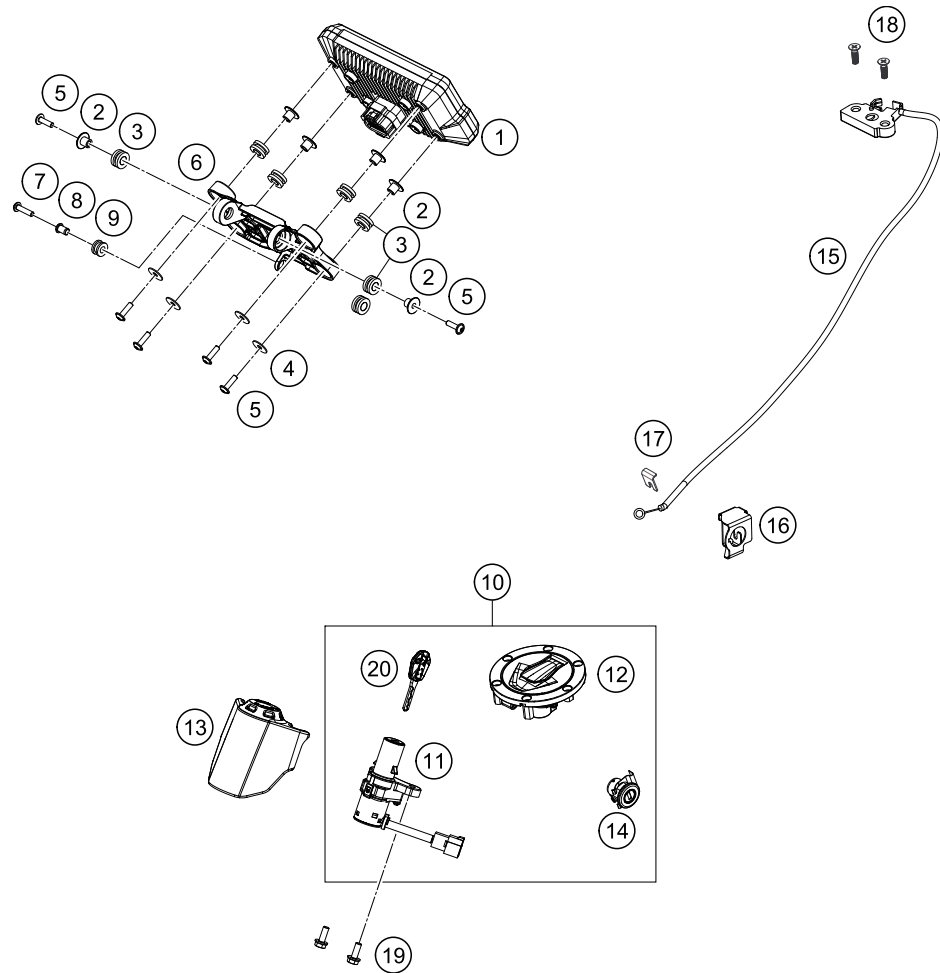
POS	PARTNUMBER	PARTNAME	PIECE
1	95814001000	Headlight	1
2	63514040000	Tail light	1
3	91214025000	FLASHER L/S	1
4	91214026000	FLASHER R/S	1
5	76014026000	FLASHER CPL. FR.RS/REAR L/S	1
6	76014025000	FLASHER CPL. FR.LS/REAR R/S	1
7	95814011090	Turn signal bracket, right, EU	1
8	95814010090	Turn signal bracket, left	1
9	J06797100183	Toothed washer, M10	4
10	J934100006	Nut hex thin-M10x1.25	2
11	J125100009	Washer M10	4
12	J926100003	SK-Bundmutter M10	2
13	J005050121	Oval head screw M5X12	2
14	J900000401200	Linsen-Blechschrabe M4,5x12	3
15	J934050003	SK Mutter M5	2
16	93014017000	Rubber bushing	4

209581410

18459

* NEW PART

X ON DEMAND



POS	PARTNUMBER	PARTNAME	PIECE
1	95814069000	Kombiinstrument	1
2	93014062010	Collar TFT speedo small	6
3	90507040001	RUBBER SLEEVE	6
4	93308015010	Washer, license plate holder support	4
5	J031060183	Roundhead screw M5X18	6
6	95814062000	Instrument support	1
7	J031050206	Linsenkopf-Schraube M5x20	1
8	95814062020	Collar bushing, comb. instr. brckt	1
9	95814062010	Rubber grommet, comb. instr. brckt	1
10	95811066044	Lock kit cmpl.	1
11	21011066000	Ignition Lock	1
12	63507008000	Fuel tank cap	1
13	95811066010	Carbon ignition lock cover	1
14	90107050050	SEAT LOCK	1
15	95807050000	Seat lock	1
16	93007051000	Retaining bracket	1
17	90107050151	PLATE SEAT LOCK	1
18	J900000602001	Senkkopfschraube M6x20	2
19	90130059000	HH COLLAR SCREW M6X16	2
20	90111067000	KEY	1

209581430

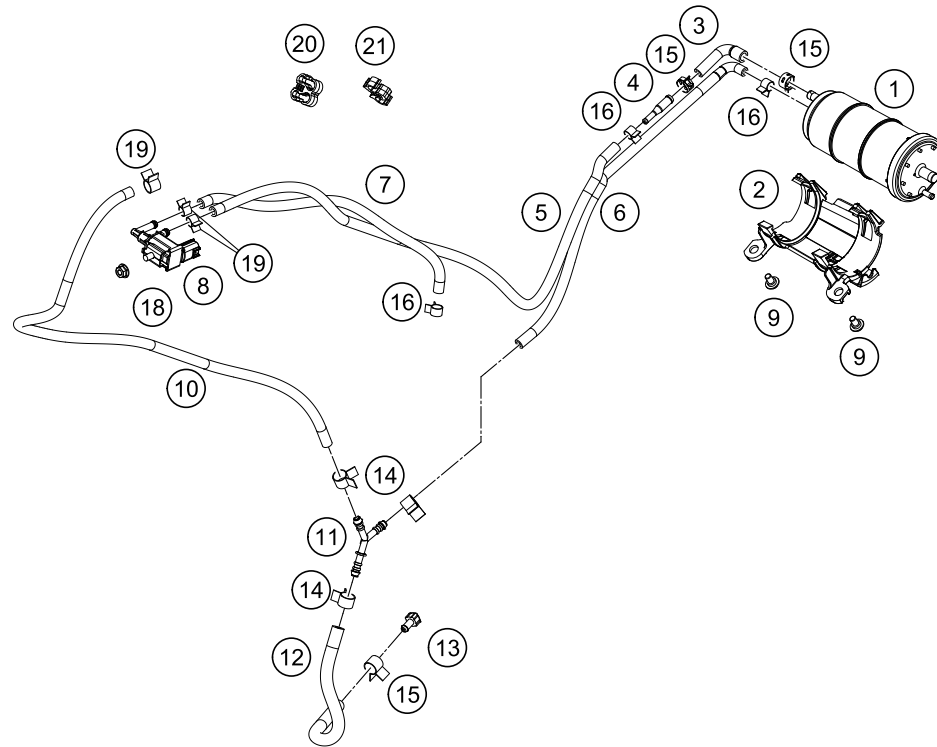
18479

* NEW PART

X ON DEMAND

EVAPORATIVE CANISTER

390 Adventure, orange 2020 EU 2020



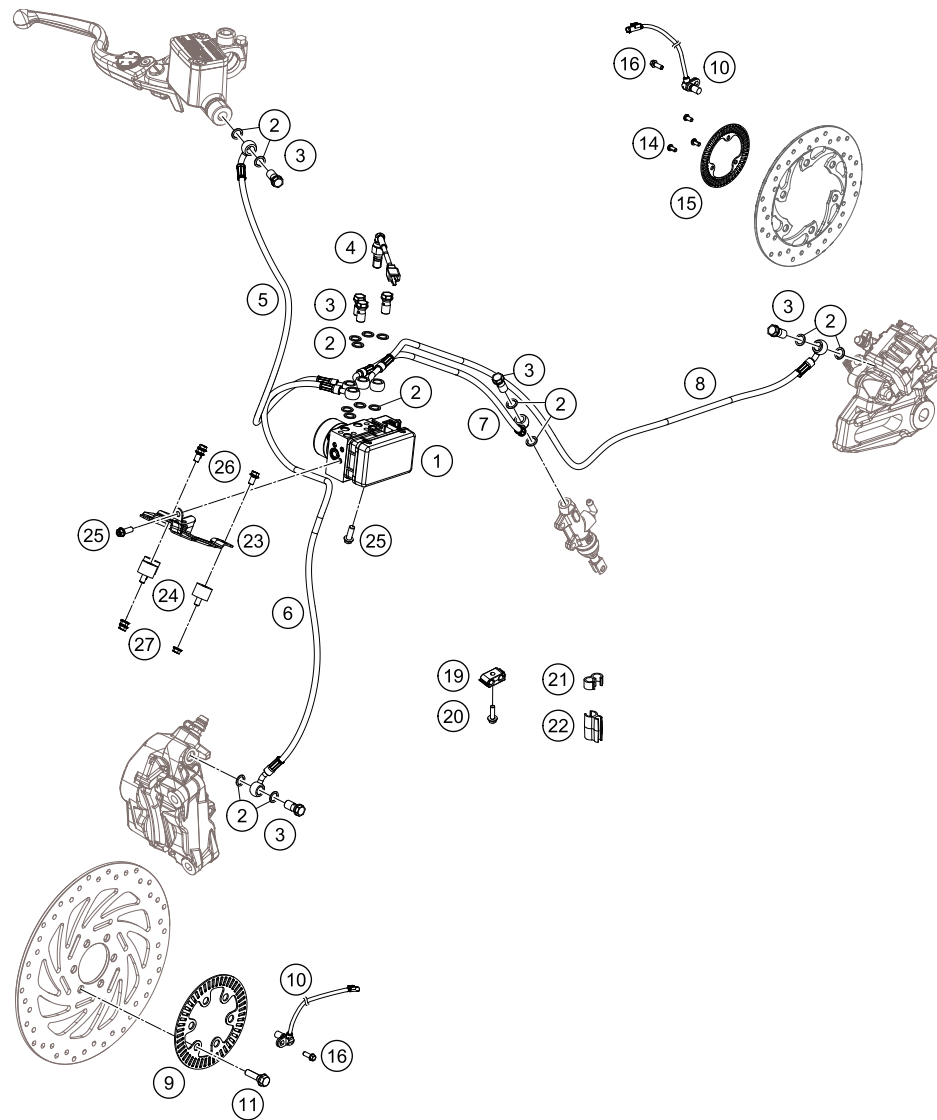
POS	PARTNUMBER	PARTNAME	PIECE
1	95815001000	Activated charcoal filter	1
2	95815002000	holder plate	1
3	95815022105	Pre-formed hose 7x13 L=105mm	1
4	90207016004	CONNECTOR TUBE EVAP	1
5	95815000660	Hose, ACF purge valve	1
6	95815000218	Act. charcoal filter hose 4x10 L=218mm	1
7	95815000312	Act. charcoal filter hose 4x10 L=312mm	1
8	90607830000	Valve purge	1
9	93008020060	Screw M6X1X9	2
10	95815000790	Act. charcoal filter hose 5,5x11,5 L=790	1
11	90507015000	CONNECTOR Y SHAPE	1
12	xy	Dummy_SPC_Bajajteil PIPE DRAIN	1
13	90515011000	PLUG FUEL DRAIN	1
14	90507017000	HOSE CLAMP	3
15	90607017003	SPRING BAND CLAMP D13	3
16	xy	Dummy_SPC_Bajajteil CLAMP BAND SPRING 9.5X8.4	2
18	J926060006	nut hex flanged	1
19	90107018011	CLAMP 10MM	3
20	95813046000	Hose guide	1
21	95815046000	Hose guide	1

209581510

18557

* NEW PART

X ON DEMAND



POS	PARTNUMBER	PARTNAME	PIECE
1	95842031044	ABS Modul	1
2	90113026000	COPPER GASKET	16
3	90113013000	BANJO SCREW	7
4	50311051100	BRAKE LIGHT SWITCH REAR '98	1
5	95842003000	Brake line, ABS, front master cylinder	1
6	95842004000	Brake line, front brake caliper	1
7	95842002000	Brake line, ABS, rear master cylinder	1
8	95842001000	Brake line, rear brake caliper	1
9	93042020000	SENSORRING ABS	1
10	90142125000	ABS SENSOR	1
11	90110062000	SPECIAL SCREW M8X25 SELF LOCK.	6
14	90142021001	SCREW FOR ABS	3
15	90142021000	SENSOR DISC REAR	1
16	J000150601200	SK-Bundschrabe M6x12	2
19	93813024000	brake hose clamp	1
20	J025060209	HH COLLAR SCREW M6X20	1
21	93813035000	CLAMP SENSOR CABLE	2
22	93813147000	CLAMP FOR BRAKE HOSE	2
23	93041030020	Retaining bracket	1
24	90135001001	silentbloc M6	3
25	J025060109	HH-COLLAR SCREW M6X10 SW8	2
26	J025060082	bolt-flanged-small	3
27	J926060000	FLANGED NUT M6 WS10 SELF LOCK.	3

209584210

18956

* NEW PART

X ON DEMAND

A large, empty rectangular box with a thin black border, occupying most of the page. It is intended for the user to write their notes.

A large, empty rectangular box with a thin black border, occupying most of the page. It is intended for the user to write their notes.

WWW.KTM.COM



KTM Sportmotorcycle GmbH
5230 Mattighofen, Austria
www.ktm.com



KTM_POWERPARTS

KTM_POWERWEAR

KTM_ORIGINAL SPARE PARTS



F5303T6EN

Art. Nr.: F5303T6EN 8. Jan 2020