

RC 390, GP orange 2023 EU 2023

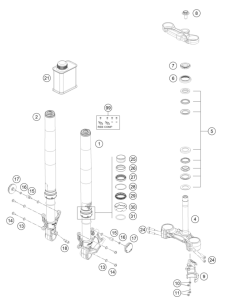
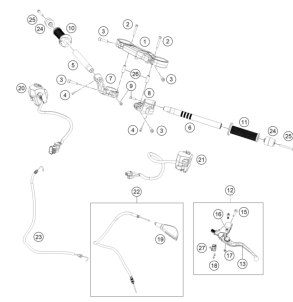
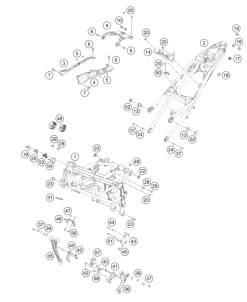
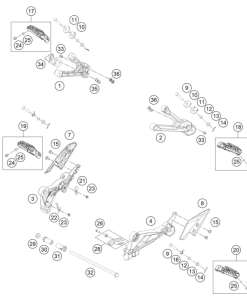
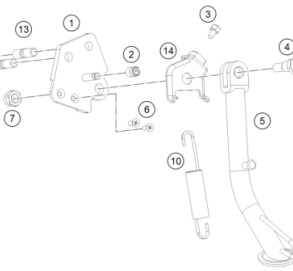
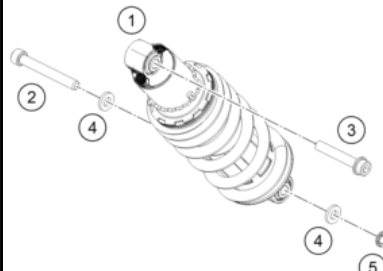
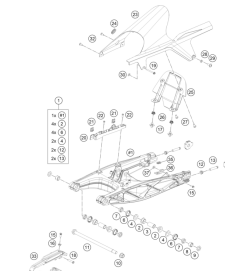
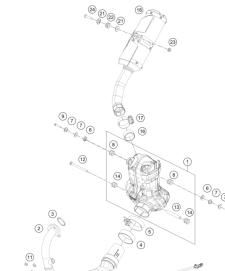
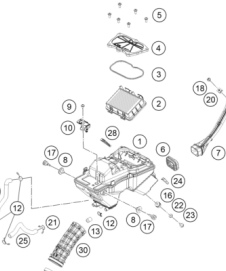
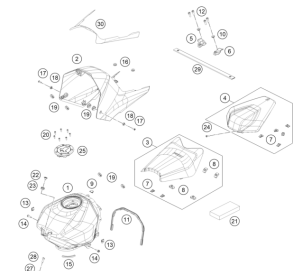
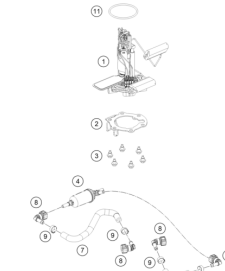
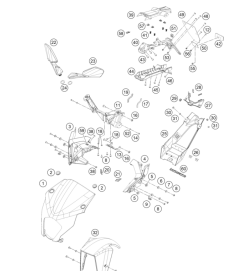
ART.-NR.: F5303W1EN

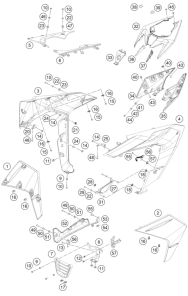
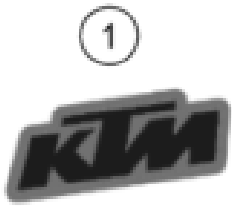
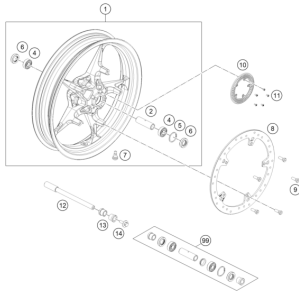
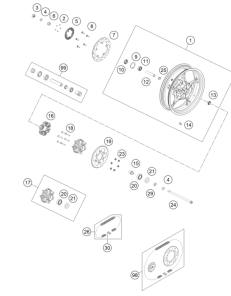
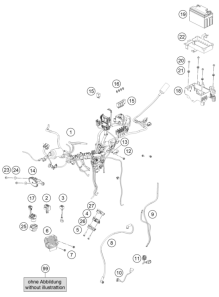
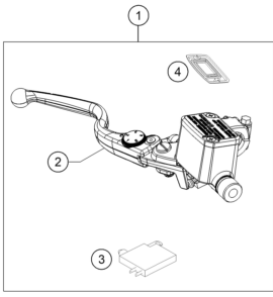
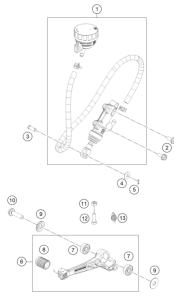
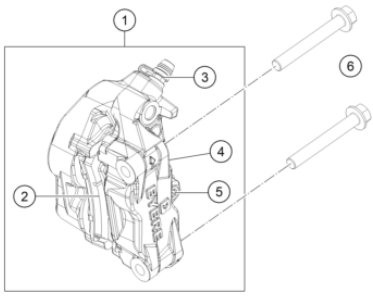
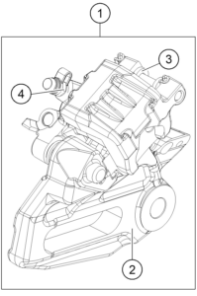
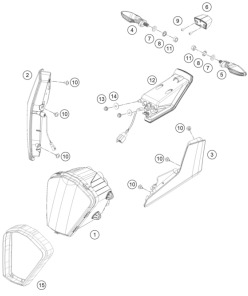
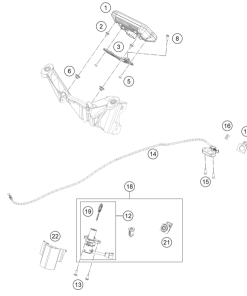
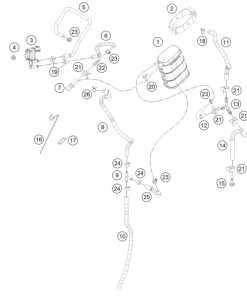


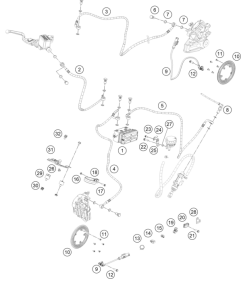


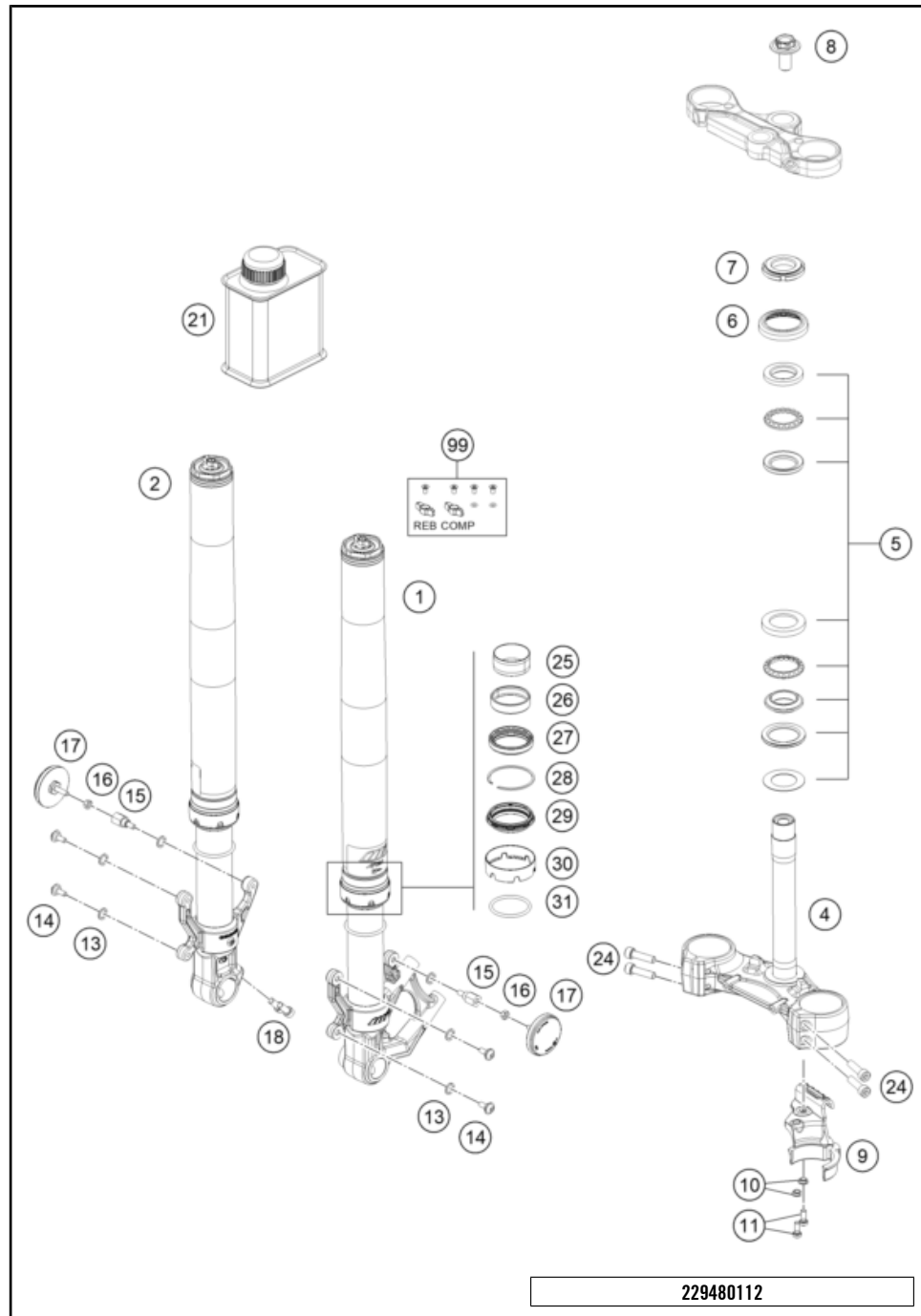
All information contained is without obligation. KTM Sportmotorcycle GmbH particularly reserves the right to modify any equipment, technical specifications, prices, colors, shapes, materials, services, service work, constructions, equipment and the like so as to adapt them to local conditions or to cancel any of the above items, all without previous announcement and without giving reasons. KTM may stop manufacturing certain models without previous notice. KTM shall not be held liable for any deviations of availability and/or ability to deliver, illustrations, descriptions, printing and/or other errors. The illustrated models partly contain extra equipment, which is not applied to standard models.

© by KTM Sportmotorcycle GmbH, Mattighofen AUSTRIA; All rights reserved; Reprint, also in extracts, with written allowance of KTM Sportmotorcycle GmbH, Mattighofen only.

<p>FRONT FORK, TRIPLE CLAMP</p>  <p>4</p>	<p>HANDLEBAR, CONTROLS</p>  <p>5</p>	<p>FRAME</p>  <p>6</p>	<p>FOOTPEGS</p>  <p>8</p>
<p>SIDE / CENTER STAND</p>  <p>9</p>	<p>SHOCK ABSORBER</p>  <p>10</p>	<p>SWING ARM</p>  <p>11</p>	<p>EXHAUST SYSTEM</p>  <p>12</p>
<p>AIR FILTER</p>  <p>13</p>	<p>TANK, SEAT</p>  <p>14</p>	<p>FUEL PUMP</p>  <p>15</p>	<p>MASK, FENDERS</p>  <p>16</p>

<p>SIDE TRIM</p>  <p>18</p>	<p>DECAL</p>  <p>20</p>	<p>FRONT WHEEL</p>  <p>21</p>	<p>REAR WHEEL</p>  <p>22</p>
<p>WIRING HARNESS</p>  <p>23</p>	<p>FRONT BRAKE CONTROL</p>  <p>24</p>	<p>REAR BRAKE CONTROL</p>  <p>25</p>	<p>FRONT BRAKE CALIPER</p>  <p>26</p>
<p>REAR BRAKE CALIPER</p>  <p>27</p>	<p>LIGHTING SYSTEM</p>  <p>28</p>	<p>INSTRUMENTS / LOCK SYSTEM</p>  <p>29</p>	<p>EVAPORATIVE CANISTER</p>  <p>30</p>

<p>ANTIBLOCK SYSTEM ABS</p>  <p>31</p>			



229480112

POS	PARTNUMBER		PIECE
1	94801001000	LEG ASSEMBLY LH	1
2	94801002000	LEG ASSEMBLY RH	1
4	94501032035	Bottom triple clamp	1
5	90101080044	STEERING HEAD BEARING-KIT	1
6	90101086000	protection cap	1
7	90101036100	Adjusting ring steering head	1
8	90501044000	steering head screw	1
9	93013055000	Hose clamp	1
10	90113055010	sleeve for hose clamp	2
11	J021060156	AH SCREW M6X15 10.9	2
13	93009059000	Washer nylon	6
14	J031050161	Panhead screw with shoulder	4
15	94512082010	Reflector holder	2
16	J910000600505	NUT HEX THICK	2
17	94512082000	Side reflector	2
18	J900000802002	SOCKET HEADED BOLT M8X1.25X20	2
21	48601166S1	Fork Fluid Viscosity 4.0 5L	1
24	90501045000	AH SCREW M8X1.25X30	4
25	43578014	GUIDE BUSH LOWER	2
26	43578016	GUIDE BUSH UPPER	2
27	43570623	Shaft seal SKF 43x52,9x11,4 black	2
28	43578044	CIRCLIP	2
29	43570624	Dirt scarper SKF 43mm black	2
30	43578206	Fork protection ring d43	2
31	43578219	O-ring 40x2,5 VMQ70 red ISO 3601	2
99	RP10021	Adjuster kit screw cap	x

59508

* NEW PART

X ON DEMAND



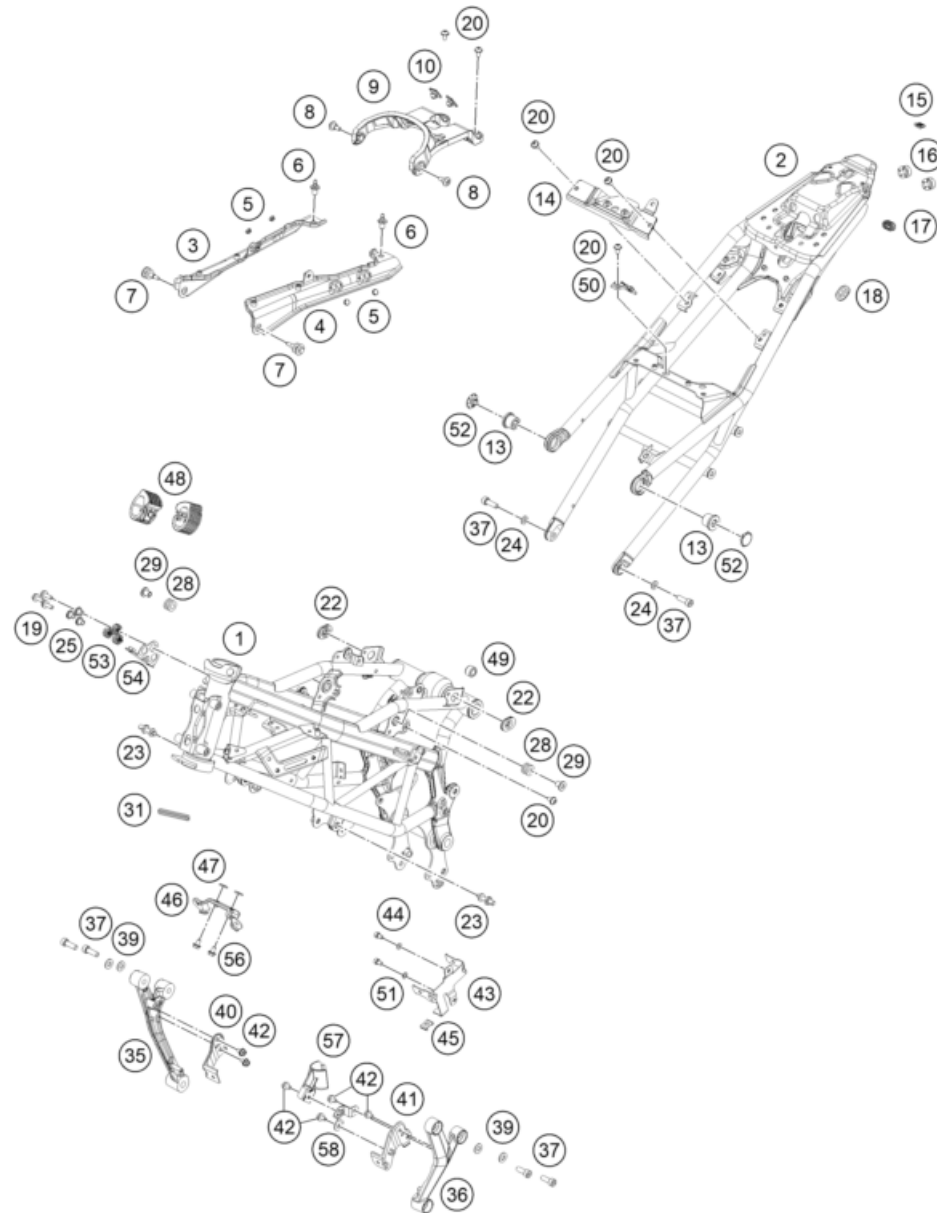
POS	PARTNUMBER		PIECE
1	94501034035C1	Top triple clamp	1
2	J900000604002	BOLT SOCKET M6X1	2
3	90501045000	AH SCREW M8X1.25X30	4
4	90511006000	SPECIAL SCREW M5x0,8X13	2
5	93802001100	HANDLEBAR R/S	1
6	94802005000	TUBE HANDLEBAR LH	1
7	94502006010	HOLDER HANDLE RH	1
8	94502005010	HOLDER HANDLE LH	1
9	90511006100	BOLT SOCKET M6X1X14	2
10	94802010033	grip assembly rh	1
11	94802039000	grip lh	1
12	94502031044	assembly lever-holder lh	1
13	93502031100	Clutch lever	1
15	J025060251	bolt flanged-m6x1x125xcl8.8xblak	1
16	93802031100	LEVER PIVOT BOLT	1
17	J982050006	nyloc nut-M5x0.8	1
18	90232014002	Screw pan cross M3x0.5	2
19	93802016000	BOOT CLUTCH LEVER	1
20	94811074000	SWITCH CONTROL RH	1
21	94811070000	SWITCH CONTROL LH	1
22	90802090000	CLUTCH CABLE	1
23	93502091100	Throttle cable	1
24	90202004001	HANDLEBAR WEIGHT	2
25	J900000605003	BOLT SOCKET M6X1	2
26	J800000702800	SLEEVE	2
27	94811049000	clutch switch	1

229480210

58367

* NEW PART

X ON DEMAND



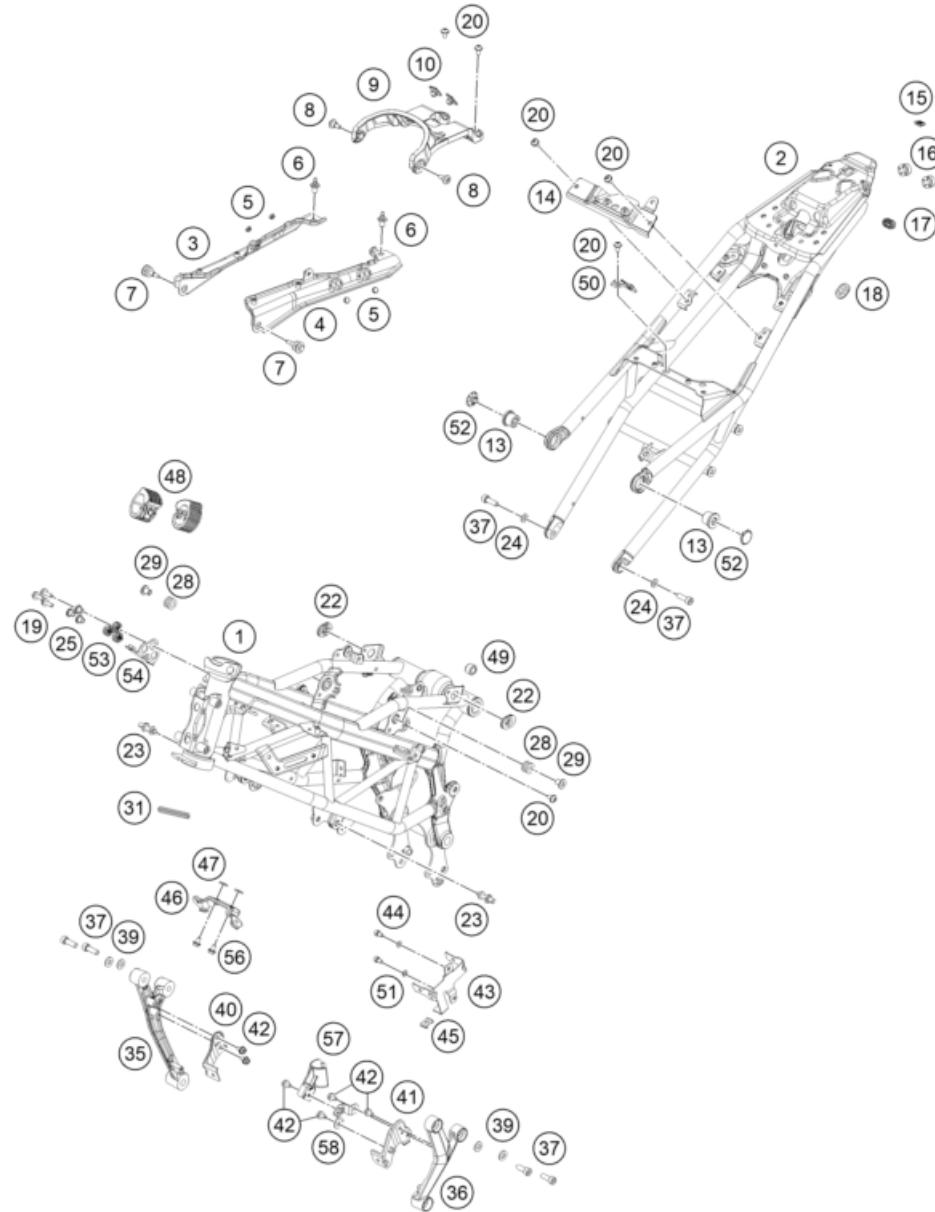
229480310

POS	PARTNUMBER		PIECE
1	94503001000EB	Frame front -electronic Orange Gloss (EB)	1
2	94503002000C1	Frame rear - Black Gloss (C1)	1
3	94503002054	BRACKET SPIDER RH	1
4	94503002053	BRACKET SPIDER LH	1
5	94503002065	DAMPER	4
6	94503002057	Quick lock pin M8	2
7	J025080246	Hex collar screw. M8x23.5	2
8	90512042020	STEP BOLT M6	2
9	94508049010	Carrier cover tank	1
10	90507047041	SEAT DUMPER SOZIUS SEAT	2
13	94503082000	SCREW SET SOCKET M22X1.25	2
14	94503002085	BRACKET LATCH SEAT	1
15	90507047042	GROMMET PILLION SEAT	1
16	90107013004	GROMMET TOP COVER	2
17	90508024050	GROMMET BATTERY BOX	1
18	90508016070	GROMMET FOR CABLE	1
19	J900000601802	BOLT-FLANGE-KAD ST-A DIA-06 L-18	1
20	90508006001	SOCKET HEAD BOLT M6X12	7
22	95811055010	Rubber grommet	2
23	94503001080	Quick lock stud M8x12	2
24	J690000801500	washer plain-id8.2xod15xt2xblack	2
25	J800000601000	collar number plate mounting	3
28	J650001901402	GROMMET	2
29	J800000701400	Collar bushing 6.5x13.5	2
31	90507012000	BEADING TANK LH	1
35	93303006000	Engine brace right	1
36	93303005000	Engine brace left250/390	1
37	J912080251	Hexagon screw M8X25	4
39	J125080006	Washer M8	4
40	95803006001	Radiator retaining plate, bottom right	1
41	95803005001	Radiator retaining plate, bottom left	1
42	J025060103	HH COLLAR SCREW M6X10 SW10	6
43	94515003000	Evaporative canister support plate	1
44	J900000601001	Hexagon socket screw M6x10	2
45	93615005000	Rubber underlay	1
46	93035004000	Support	1
47	J125090006	Washer 9,2X16X2	2
48	94507012000	Damper	2

62057

* NEW PART

X ON DEMAND



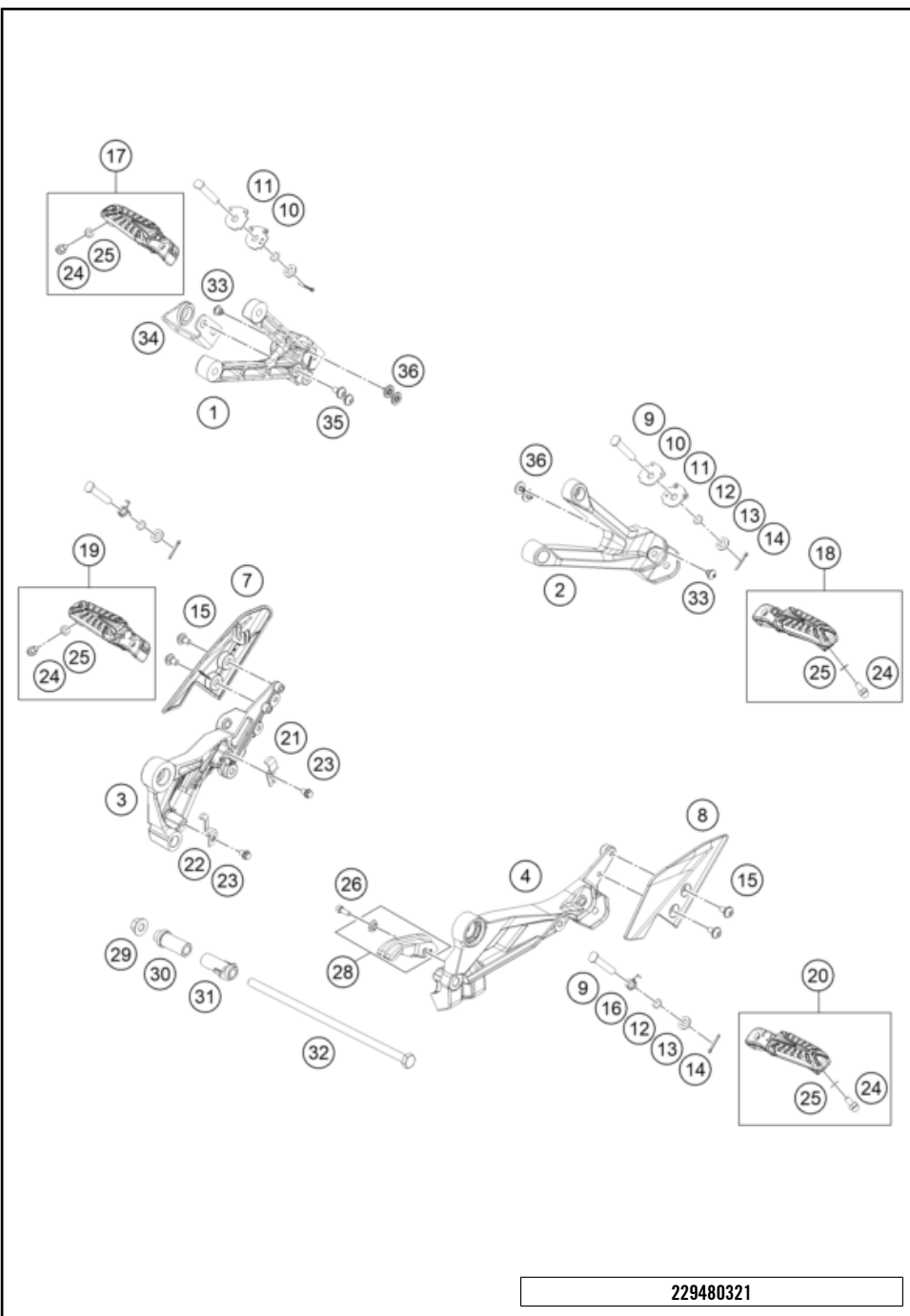
POS	PARTNUMBER		PIECE
49	94503001097	collar	1
50	94603099000	HOLDER COUPLER	1
51	J690000600101	WASHER PLAIN SMALL	2
52	94503082010	Cover	2
53	J650001801400	grommet	3
54	94842090010	bracket sensor lean angle	1
56	J025060101	Hexagon screw M6X10	2
57	93035017050	THERMOSTAT HALTER	1
58	95835013050	Bracket holder thermostat	1

229480310

62057

* NEW PART

X ON DEMAND



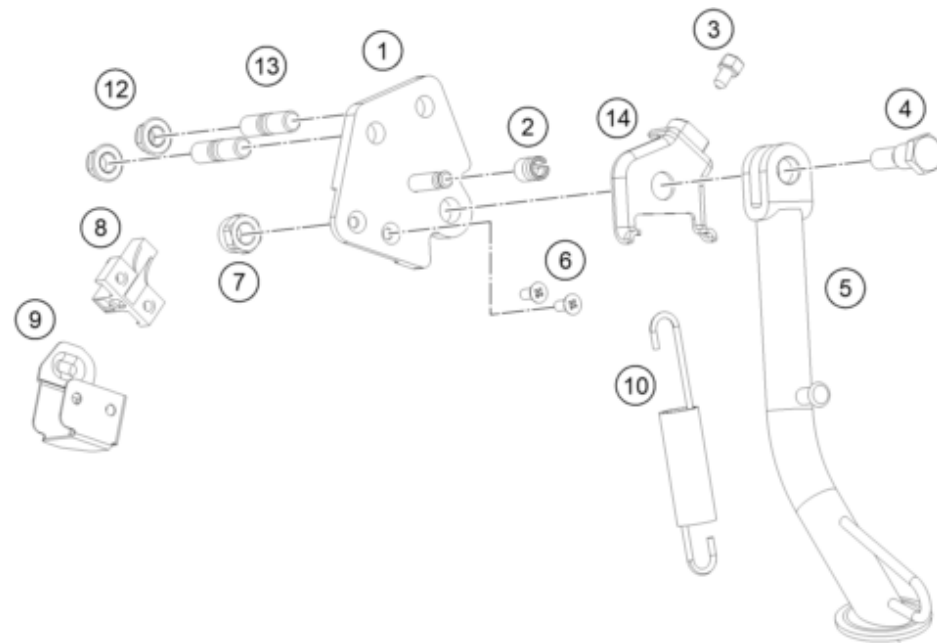
229480321

POS	PARTNUMBER		PIECE
1	94503049000C1	STEP HOLDER PILLON RH JY113041 BLACK MAT	1
2	94503048000C1	STEP HOLDER PILLON LH JY113039 BLACK MAT	1
3	94503039000C1	STEP HOLDER RH (JY113037) BLACK MATT	1
4	94503038000C1	STEP HOLDER LH (JY113035) BLACK MATT	1
7	94603060010	GUARD HEEL RH	1
8	94603060020	GUARD HEEL LH	1
9	J920000804701	pin clevis dia 8	4
10	90503052000	LOCK PLATE UPPER	2
11	90503053000	LOCK PLATE LOWER	2
12	J770009015	O-RING 9X1,5	4
13	90503048010	WASHER D=8,5	4
14	J094020186	pin cotter-dia. 2.5xl 18	4
15	93008020060	Screw M6X1X9	4
16	93003042000	Footpeg spring	2
17	93003151033	Rear footpeg compl. right	1
18	93003150033	Rear footpeg compl. left	1
19	93003141033	Front footpeg compl. right	1
20	93003140033	Front footpeg compl. left	1
21	94603039010	Retaining bracket, hose	1
22	94603039020	Retaining bracket, hose	1
23	J025060083	HH COLLAR SCREW M6X8 SW8	2
24	J029060103S	CAP SCREW M6X10 SS	4
25	J690000600101	WASHER PLAIN SMALL	4
26	J912050141	bolt socket-m5x0.8xl 14xprecoat	1
28	95804070000	Chain sliding guard	1
29	90103038002	FLANGED NUT M10X1.25 WS14	1
30	95803039010	Distance sleeve	1
31	95803038010	Spacer	1
32	J025102656	HH COLLAR SCREW M10X1,25X265	1
33	J650001200500	Rubber buffer	2
34	94505088010	bracket muffler	1
35	J00015082000	Hex collar screw M8x20 SS	2
36	90108023000	Cap forging pivot LH	4

59516

* NEW PART

X ON DEMAND



POS	PARTNUMBER		PIECE
1	93803026000	Side stand bracket	1
2	90111040100	Bushing	1
3	93503029000	Magnet bracket	1
4	90103027000	SCREW F. SIDE STAND	1
5	28103023000	Side stand	1
6	J900000501200	screw csk cros-m5x0.8x12xbright	2
7	J982101253	SELF L. NUT M10X1,25 H11 WS17	1
8	93511045000	SWITCH SIDE STAND	1
9	28111046000	Shield switch stand side	1
10	90603024000	SIDE STAND SPRING	1
12	93003034000	nut U flang-M10X1.25XHT.8.5XBRT	2
13	93003027000	bolt stud-M10X1.25XL20XBRXPRECOAT	2
14	95803034000	BRACKET HOLDER MAGNET	1

229460360

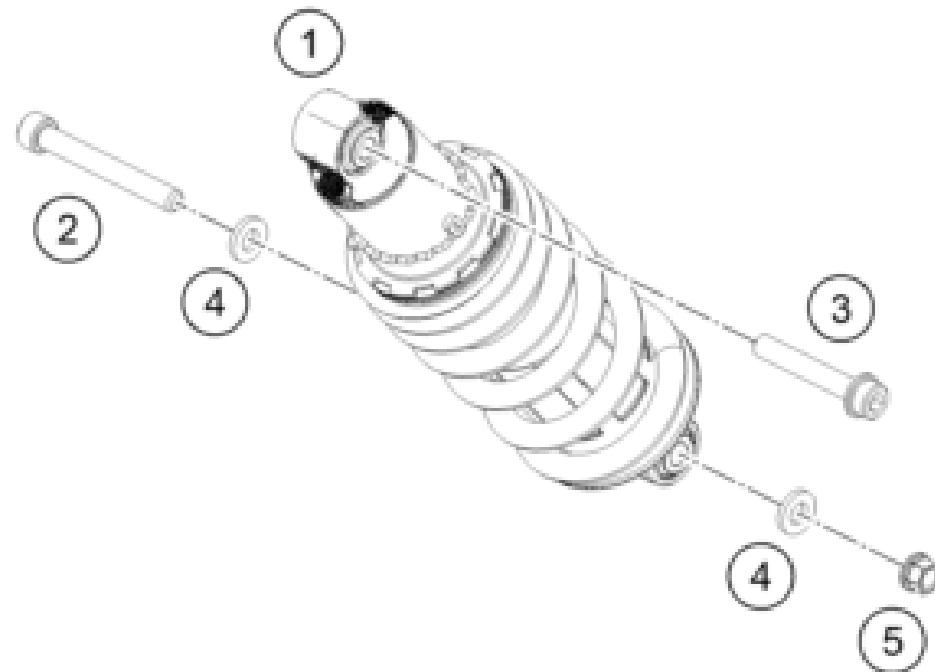
57897

* NEW PART

X ON DEMAND

SHOCK ABSORBER

RC 390, GP orange 2023 EU 2023



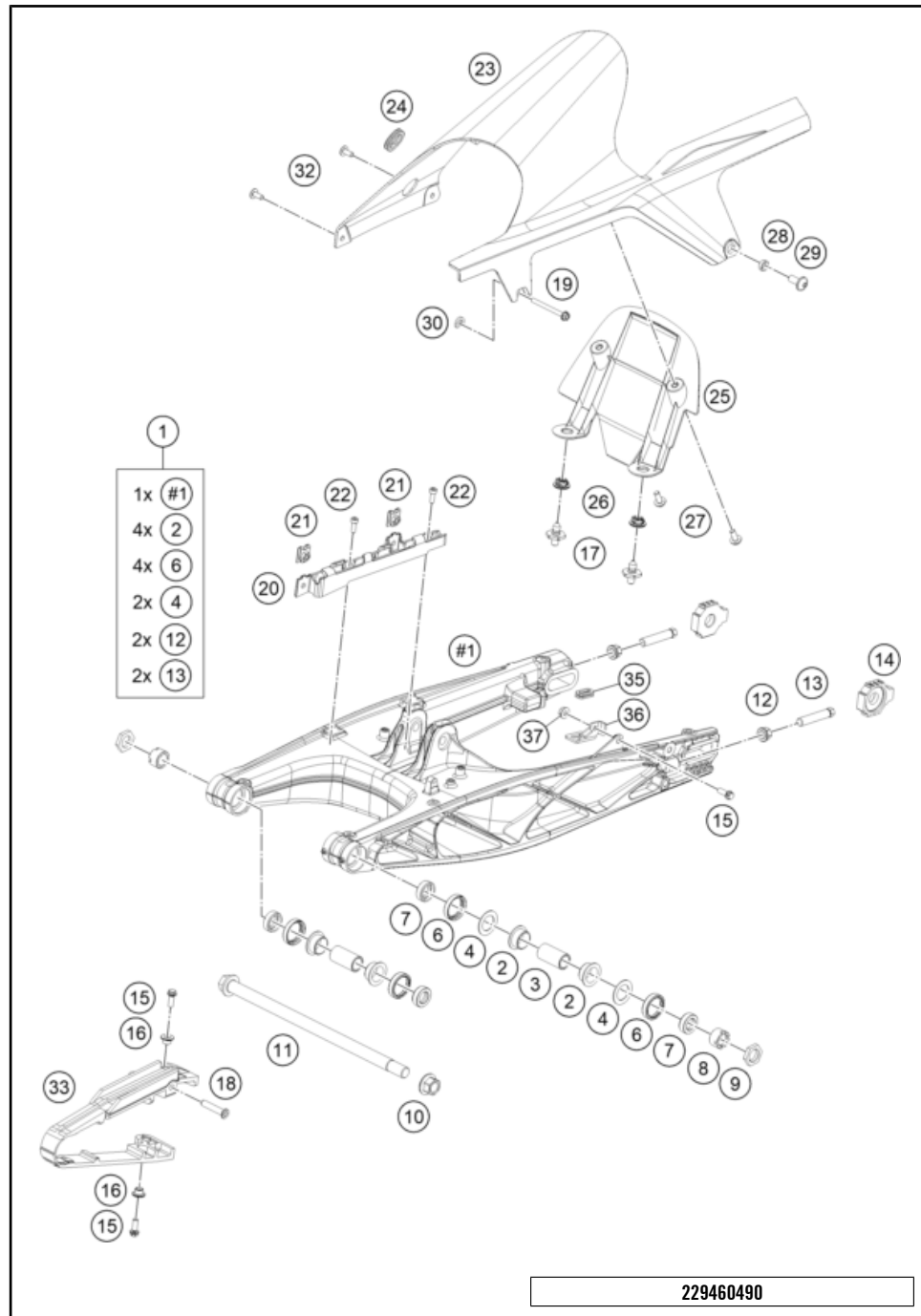
POS	PARTNUMBER		PIECE
1	94804010044	shockabsorber rear	1
2	J020100806	SHCS M10x1.25x80 - 10.9	1
3	J900001006200	BOLT FLANGED M10X1.25	1
4	90104010003	PLAIN WASHER 10,2X20X3MM	2
5	90104010002	flanged hex nut M10x1.25 WS13	1

229480410

59635

* NEW PART

X ON DEMAND



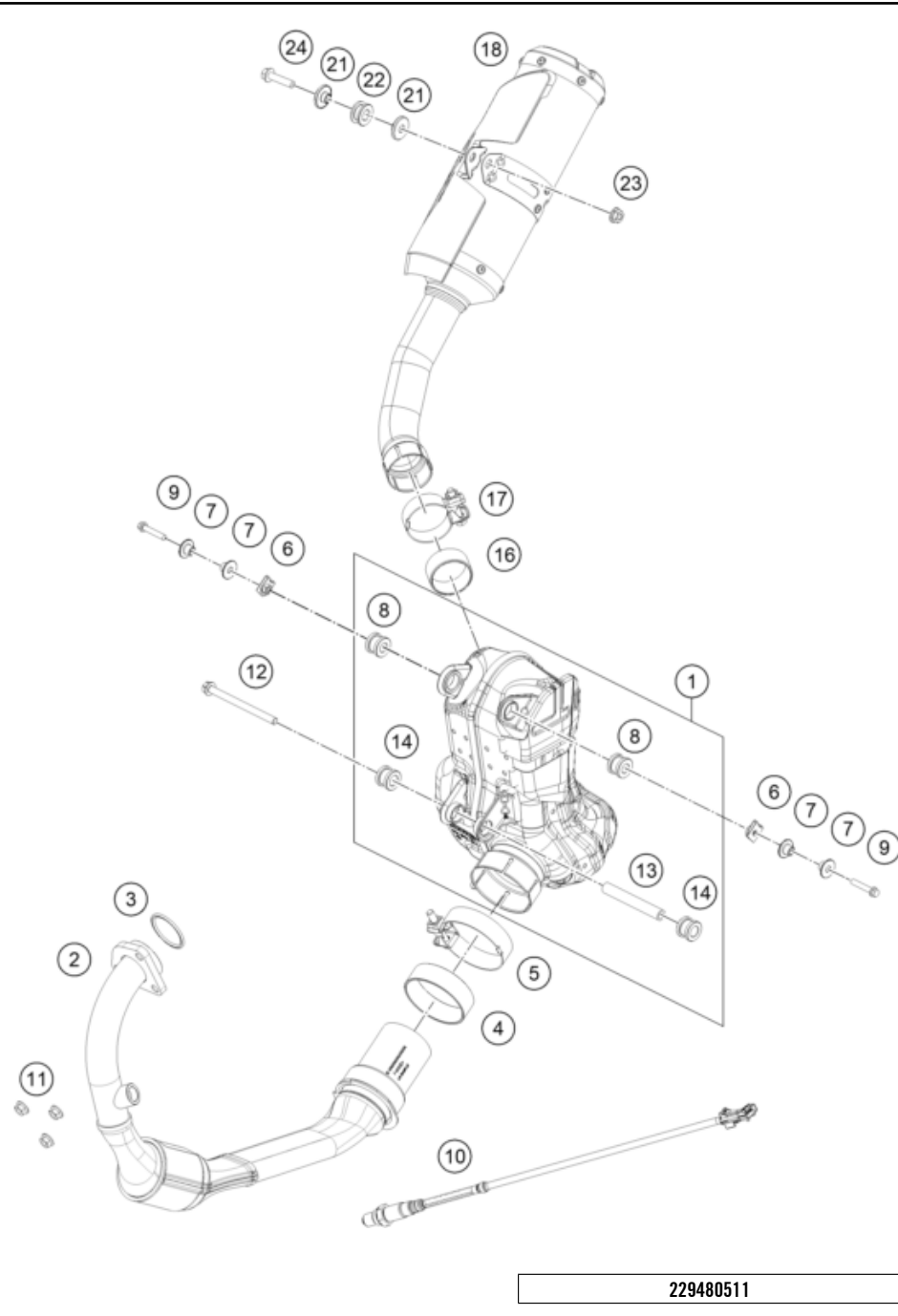
229460490

POS	PARTNUMBER	PIECE	
1	28104030044C1	Swing Arm Sub Assy Husqvarna 401 MY20	1
2	90104031000	Igus plain bearing	4
3	90104032000	sleeve bushing 15.1x20x38	2
4	90104036000	Thrust washer 22.2x31.7x1	2
6	90104034001	OIL SEAL RING 25X32X7	4
7	90104034000	cup for radial shaft seal	4
8	90104046000	swingarm adjusting ring	2
9	90104042000	hex thrust washer	2
10	90104038000	FLANGED NUT M14X1.5	1
11	90104037000	Shaft swing arm L=299mm	1
12	90104040000	BOLT HEX M10X1.25X50 WS10	2
13	90104040000	BOLT HEX M10X1.25X50 WS10	2
14	90110084000	chain tension adjuster, right	2
15	J025060169	HH COLLAR SCREW M6X16 SW8	3
16	90604062000	chain slider bushing	2
17	J900000600800	pin quick release	2
18	90904070020	SLEEVE CHAIN GUARD	1
19	J025050504	BOLT FLANGED M5X0.8XL	1
20	94508022000	Brake line guide rear	1
21	90103097000	clip nut	2
22	J912050141	bolt socket-m5x0.8xl 14xprecoat	2
23	94504060000	chainguard	1
24	J650003002300	PLUG	1
25	94504060010	FENDER HUGGER FRONT	1
26	93011068010	Rubber grommet ignition lock cover	2
27	J900000601605	Roundhead screw M6x16	2
28	90504060050	SLEEVE FOR CHAIN COVER	1
29	90508008001	AH SCREW M8X20	1
30	90504067000	WASHER CHAIN SLIDING GUARD	1
32	J900000601400	screw button head-m6x1x14xblack	2
33	90804066000	chain slider	1
35	J650002401900	Rubber grommet	1
36	94604060020	bracket cover chain	1
37	J926060001	Hexagon nut M6	1

59383

* NEW PART

X ON DEMAND



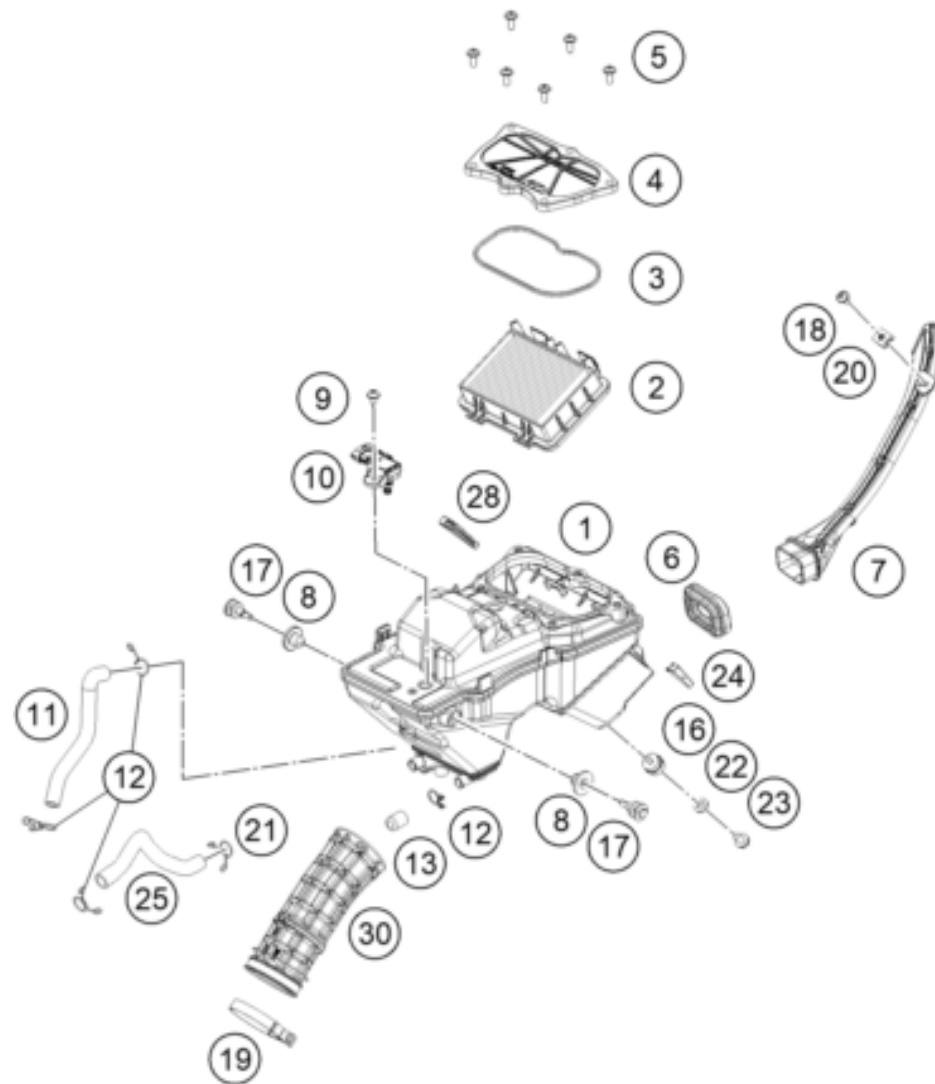
POS	PARTNUMBER		PIECE
1	28105050044	ASSEMBLY PREMUFLER	1
2	94305007031	PIPE ASSEMBLY A	1
3	90105004100	Gasket exhaust	1
4	94305050172	Gasket exhaust	1
5	94305051000	Exhaust clamp	1
6	90103097000	clip nut	2
7	90205086001	muffler mounting spacer bushing	4
8	90205068000	damper, bottom	2
9	90105000002	BOLT SILENCER MTG	2
10	94341090000	Oxygen sensor	1
11	J926080003	Hex collar nut M6	3
12	J027081053	HH COLLAR SCREW M8X105 SW12	1
13	90105084000	muffler mounting tube	1
14	90105068100	damper, bottom	2
16	94305050071	Exhaust flange gasket, muffler	1
17	95805051010	Exhaust pipe clamp	1
18	JY591462	Dummy_SPC_Bajajteil MUFFLER ASSEMBLY SECONDARY	1
21	93805095000	BUSH MUFFLER	2
22	93805096000	DAMPER MUFFLER	1
23	J692080006	nut hex flange-M8x1.25xcl8xdacro	1
24	J900000804001	Hex collar screw M8x40	1

229480511

62319

* NEW PART

X ON DEMAND



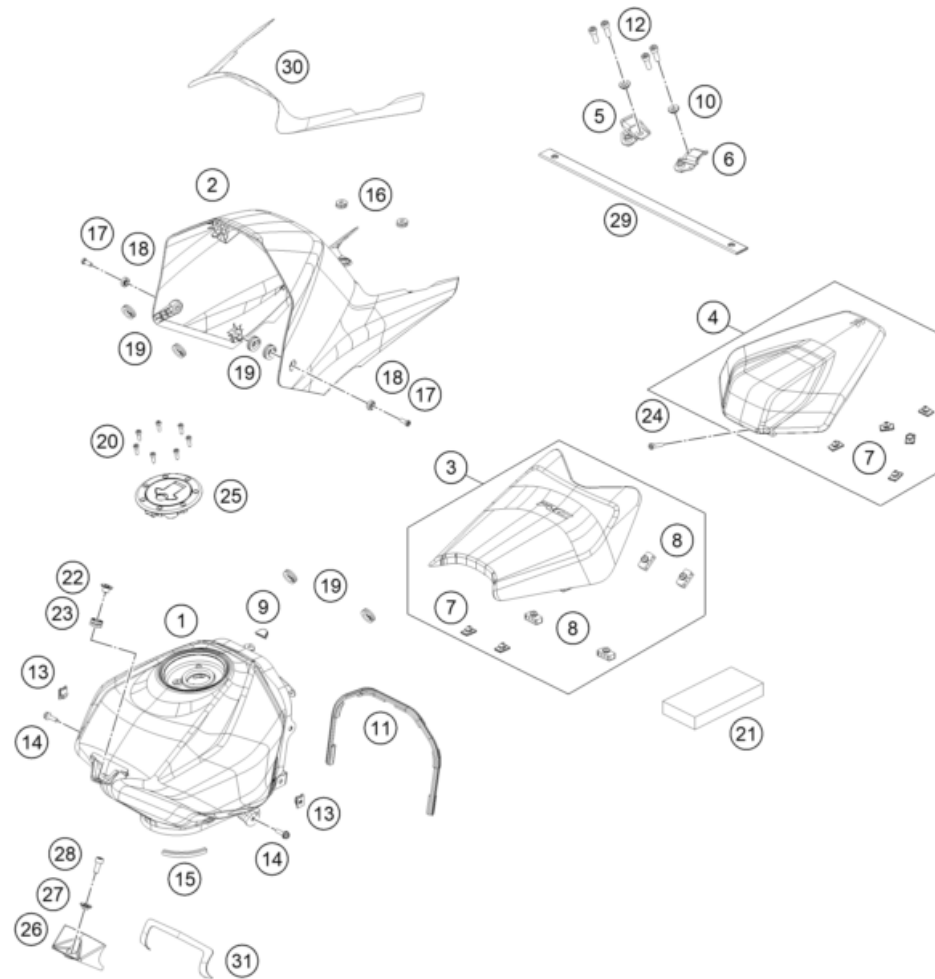
POS	PARTNUMBER		PIECE
1	94306001000	Air filter box	1
2	93006015000	FILTER	1
3	93006020050	Seal	1
4	93006002000	Air filter box cover	1
5	93006039000	Flat-head screw M6	4
6	93006001060	Carburetor connection boot	1
7	94506040000	Intake snorkel	1
8	93006001080	Damping rubber	2
9	J031060103	Lens head screw M6X10	1
10	90141071000	TMAP-SENSOR	1
11	93030087050	Engine vent hose	1
12	90130087001	HOSE CLAMP	5
13	93030089000	Plug	1
16	90106001007	SILENT BLOCK AIRFILTER	1
17	93007046050	Screw	2
18	90508006001	SOCKET HEAD BOLT M6X12	1
19	90241002010	hose clamp	1
20	93008084010	Range change metal nut M6	1
21	90607017000	CLAMP 16MM	1
22	J125060001	Washer - plain	1
23	J026060083	HH COLLAR SCREW M6X8 SW10	1
24	93006001015	Rubber cowl pad	1
25	93030088050	Engine vent hose	1
28	93006021000	Distance piece air filter box right	1
30	94841040000	TUBE CONNECTING	1

219480610

59379

* NEW PART

X ON DEMAND



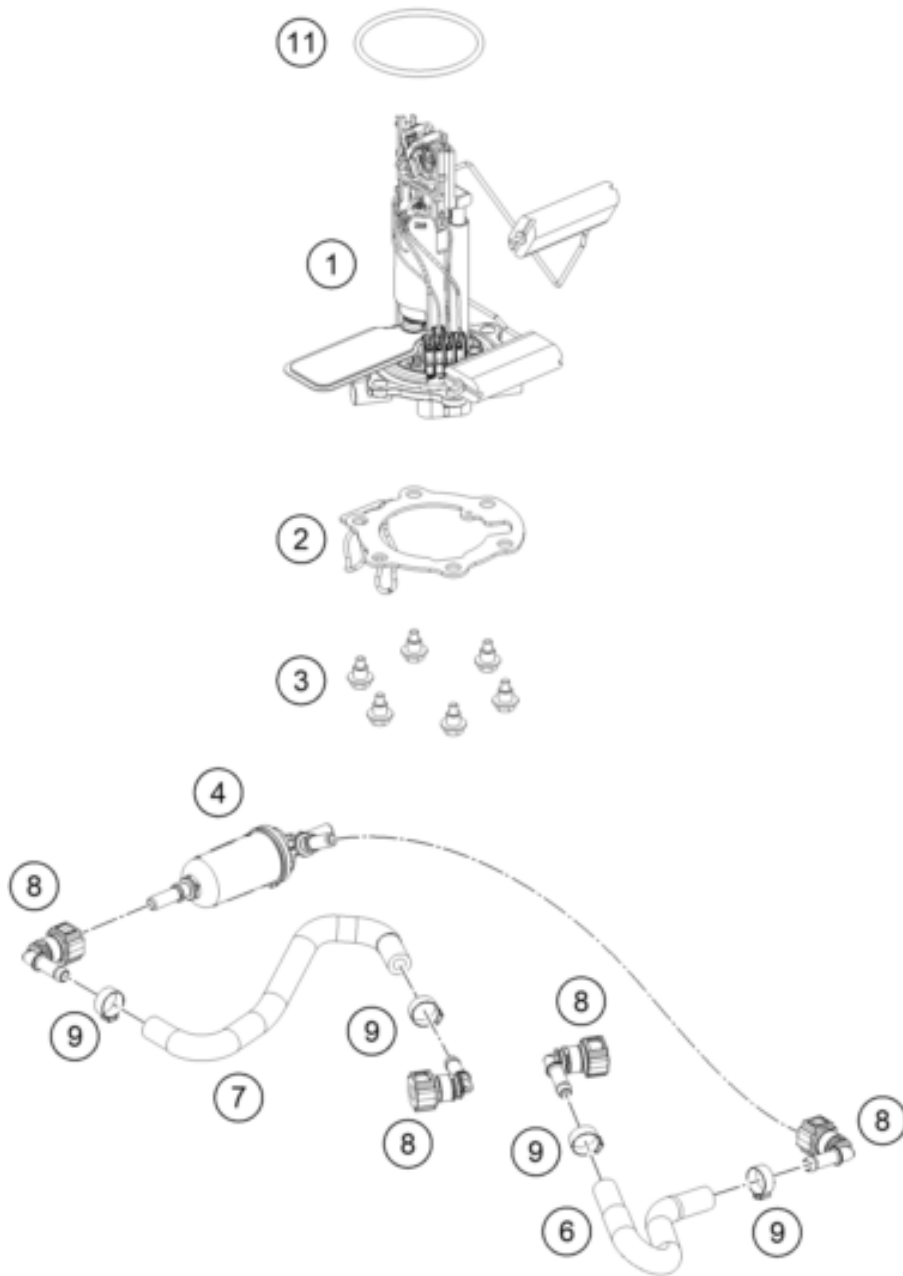
POS	PARTNUMBER		PIECE
1	94507013000EB	RC MY21 FUEL TANK JY171174 EB ORG GLOSS	1
2	94508049000EBA	RC 390 COVER TANK EB ORANGE MAT + DCL with decal	1
3	94507040000	SEAT ASSEMBLY FRONT	1
4	94507047000	SEAT ASSEMBLY PILLION	1
5	94507057020	pillion strap bracket RH	1
6	94507057010	pillion strap bracket LH	1
7	90507047041	SEAT DUMPER SOZIUS SEAT	7
8	93007040010	Seat cowl pad	4
9	94507013030	Plastic caps	1
10	J800000900700	collar	2
11	94507013010	Fuel tank, edge protection	1
12	J900000802502	Hexagon socket bolt M8x25 SS	4
13	90105017000	CLIP NUT M6	2
14	J025060221	Bolt-Flange-Kad ST-D DIA-06 L-22	2
15	90507012000	BEADING TANK LH	1
16	93008019010	Rubber bushing	2
17	90808043001	BOLT SOCKET M6X1XL	2
18	90808010050	BUSHING FRONT FENDER	2
19	90108060001	DAMPING RUBBER I RADIATOR PROT	6
20	J912050151	AH SCREW M5X14 BLACK	7
21	95829099000	Tool set	1
22	90507013005	SLEEVE TANK MOUNTING	1
23	90507013006	GROMMET TANK MOUNTING	1
24	J912060256	Hexagon socket screw, M6X25	1
25	94507008000	CAP TANK FUEL	1
26	94508062000	COVER BRACKET TANK	1
27	J800000800400	COLLAR	1
28	J912080303	hexagon socket screw M8X30	1
29	94507057000	Seat Belt	1
30	94507025020	Tape	1
31	94507025010	Tank protector	1

229480710

62061

* NEW PART

X ON DEMAND



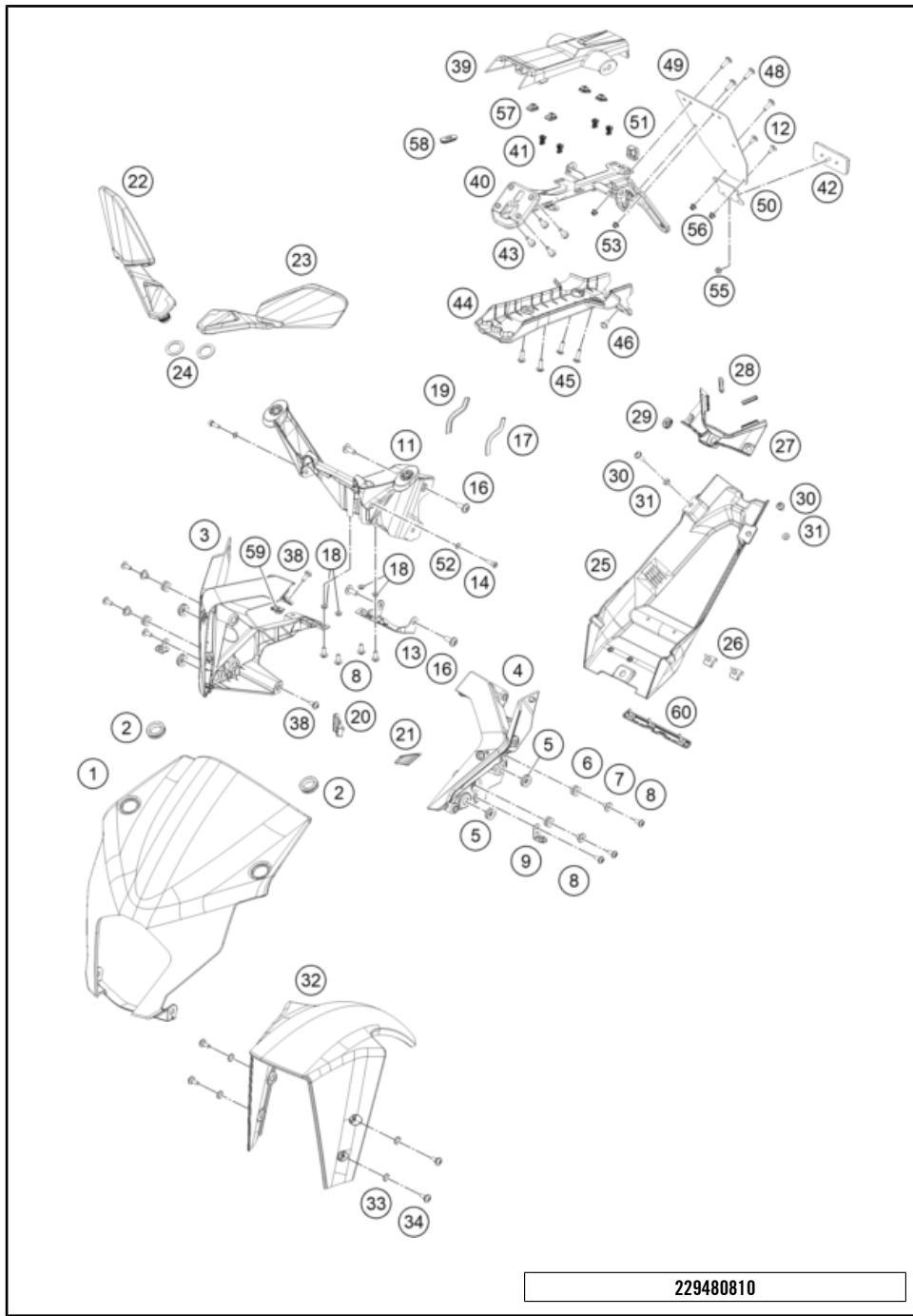
POS	PARTNUMBER		PIECE
1	94507088000	Fuel pump	1
2	94507013050	Intermediate disc, fuel pump	1
3	J025060128	BOLT FLANGE- M6 X 1 X L12.8 XBRT XST	6
4	93807018000	fuel filter	1
6	94507016010	PIPE FUEL	1
7	94507016000	PIPE FUEL	1
8	28107028000	Angle piece	4
9	J300000701600	Oetiker clamp D=14	4

229460730

57850

* NEW PART

X ON DEMAND



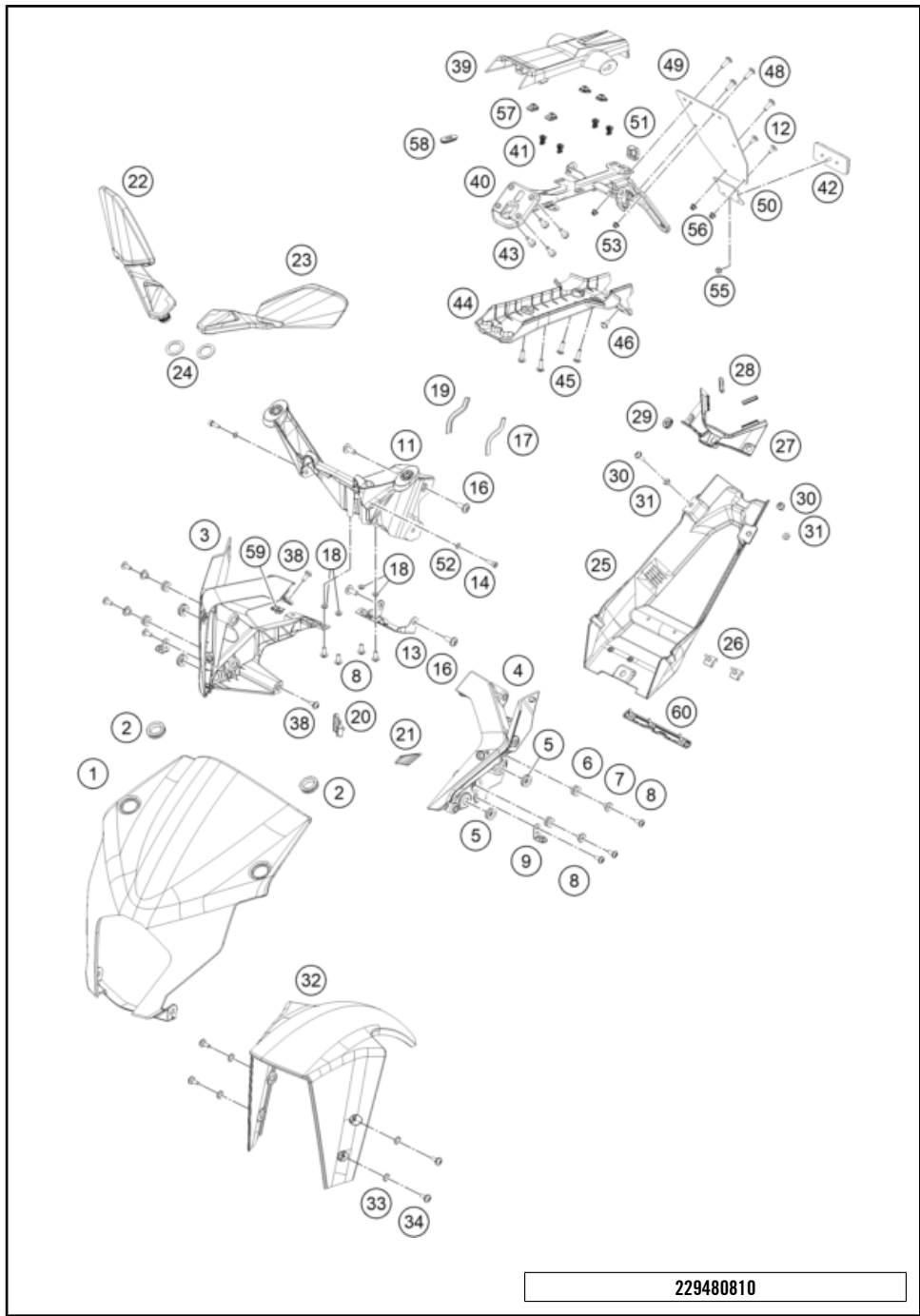
POS	PARTNUMBER		PIECE
1	94508108000	Windshield	1
2	J650003503000	Rubber grommet 35x29.6	2
3	94514011000	Structure fairing right	1
4	94514010000	Structure fairing left	1
5	J650002201400	GROMMET	4
6	93014017000	Rubber bushing	4
7	93014018100	Collar head lamp holder MTG	4
8	93006039000	Flat-head screw M6	10
9	94508047010	Angle for bracket, side fairing	2
11	94514013000BM	Mask support bracket	1
12	J005050123	FLAT HEAD SCREW M5X12 PH	2
13	94514013010	Cover, mask support	1
14	J912060183	hexagon socket screw M6X18	2
16	J900000602300	Oval head screw with hex. socket M6x23	4
17	94514013030	Edge protection, mask support, left	1
18	90113055010	sleeve for hose clamp	4
19	94514013040	BEADING RH	1
20	94514011010	Damper, windshield, right	1
21	94514010010	Damper, windshield, left	1
22	94512041033	Mirror, right, preass.	1
23	94512040033	Mirror, left, preass.	1
24	J690002400100	WASHER PLAIN	2
25	94508019000	Tray under	1
26	94508019001	Fuel tank rubber	2
27	94508019010	Cover rear fairing, bottom	1
28	94508030000	Edge protection	2
29	J650002001400	Rubber grommet	1
30	90808043000	SPECIAL SCREW M6X1X16	2
31	J800000600701	Collar bushing 6.2x6.5	1
32	94508010000EBA	FR FENDER JY181428 EB ORG MATT + DCL with decal	1
33	93009059000	Washer nylon	4
34	J031050161	Panhead screw with shoulder	4
38	93008040000	Screw M6X1X13	2
39	94508015010	License plate holder support, top	1
40	94508015030	License plate holder support	1
41	J340001201100	Metallic quick lock	4
42	90514045000	REFLECTOR	1

229480810

62060

* NEW PART

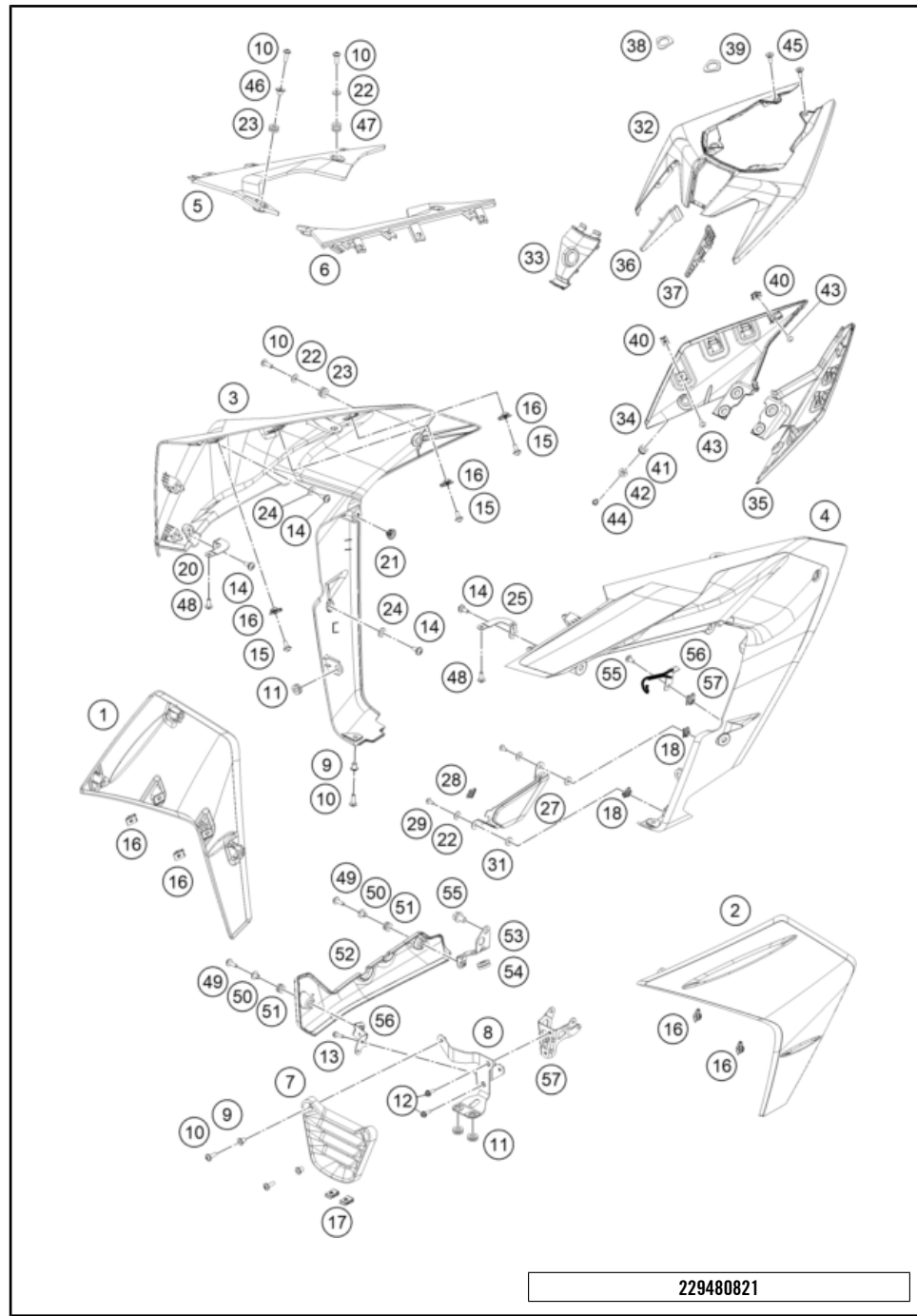
X ON DEMAND



POS	PARTNUMBER		PIECE
43	J025060202	Bolt-Flange-Kad ST-A DIA-06 L-20	4
44	94508015020	License plate holder, bottom part	1
45	93008040000	Screw M6X1X13	4
46	93008020060	Screw M6X1X9	1
48	93014098000	screw truss-M6X1XL 16Xblack	4
49	90808016000	REAR FENDER EXT.	1
50	90514044000	REFLECTOR MOUNTING	1
51	93008015010	Protection rubber	1
52	J690000600100	WASHER PLAIN SMALL-6.5X11.5XT0.8	2
53	93008036000	Hexagon nut M6	2
55	J06923050053	Hex collar nut, M5	1
56	90102031010	HEX NUT M5 AF8	2
57	J910000600504	NUT - CLIP :- M6	1
58	93008015060	grommet	1
59	90103097000	clip nut	2
60	94508019002	DAMPER	1

62060

* NEW PART X ON DEMAND



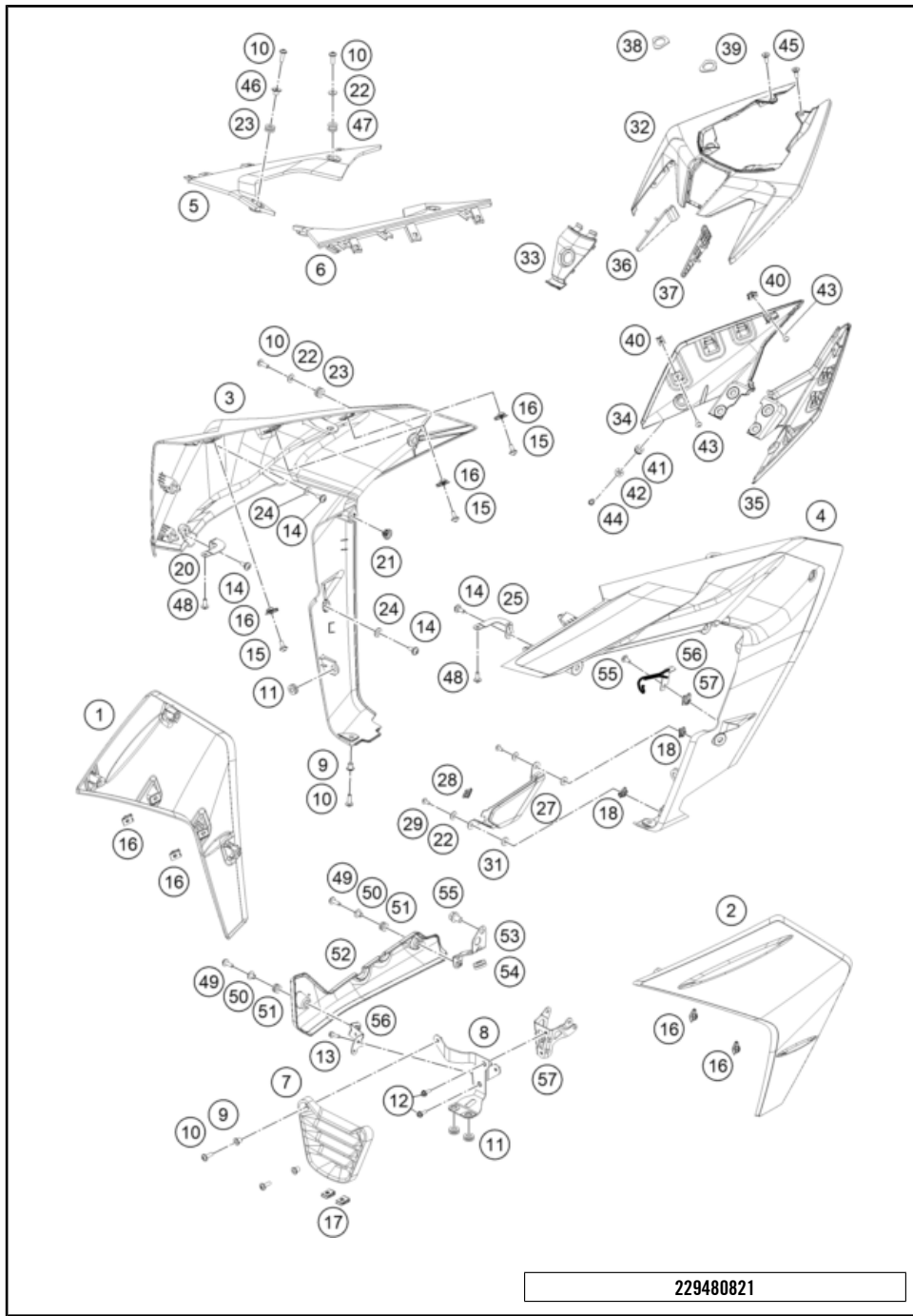
POS	PARTNUMBER	PIECE	
1	94508042000EBA	RC390 OUTER FAIRING EB ORG GLOSS RH +DCL with decal	1
2	94508041000EBA	RC390 OUTER FAIRING EB ORG GLOSS LH +DCL with decal	1
3	94508027000EBA	RC390 INR SIDE FAIRING EB ORG MAT RH +DCL with decal	1
4	94508026000EBA	RC390 INR SIDE FAIRING EB ORG MAT LH +DCL with decal	1
5	94508027010	Side fairing, inner, top, right	1
6	94508026010	Side fairing, inner, top, left	1
7	94508020000	BELLY PAN MIDDLE	1
8	94808020010	bracket assy belly pan middle	1
9	93808027000	SLEEVE	4
10	90508006003	AH SCREW M6X1X20	10
11	93808026100	GROMMET BELLY PAN	4
12	J900000501601	Hex collar screw, M5x16	1
13	J900000501800	Hex collar screw, M5x18	1
14	J031050161	Panhead screw with shoulder	6
15	J900000601200	Oval head screw M6x12	6
16	90103097000	clip nut	10
17	J910000600600	CLIP NUT M6	1
18	90108050001	CLIP NUT M5	2
20	94508048000	Bracket, side fairing, right	1
21	93011068010	Rubber grommet ignition lock cover	2
22	J125070004	washer plain-id6.5xod16xthk1xblk	6
23	93014017000	Rubber bushing	4
24	J125100009	Washer M10	4
25	94508047000	Bracket, side fairing, left	1
27	94808041050	cover catalyst	1
28	27005211011	Absorbing element silicone IN	1
29	J900000501403	Roundhead screw M5x14	2
31	90505090050	WASHER ASBESTOS	2
32	94808018000EB	SEAT COWL TOP JY181780 EB ORANGE MATT	1
33	94508018050	Seat lock, cover	1

229480821

62059

* NEW PART

X ON DEMAND



POS	PARTNUMBER		PIECE
34	94508018010C1C	SEAT COWL BOTTOM RH JY181352 BLK MAT +DCL with decal	1
35	94508018020C1C	SEAT COWL BOTTOM LH JY181351 BLK MAT +DCL with decal	1
36	94508018040	Frame cover right	1
37	94508018030	Frame cover left	1
38	94508018070	FOAM RH	1
39	94508018060	FOAM LH	1
40	90108050001	CLIP NUT M5	4
41	95835016000	Rubber grommet	2
42	J800000600700	COLLAR FAIRING - K10	1
43	J031050123	Lens head screw M5X12	4
44	93006039000	Flat-head screw M6	2
45	J900000601403	BOLT SOCKET STEP M6X1	1
46	93014018100	Collar head lamp holder MTG	2
47	J650001701300	GROMMET	2
48	93006039000	Flat-head screw M6	2
49	J900000601900	AH oval head screw M6x19	2
50	J800000600900	collar	2
51	J650001601201	DAMPER FOR MOUNTING COWLING	2
52	94805030000	belly pan rh	1
53	94805030020	bracket belly pan rear rh	1
54	J650002401600	Rubber grommet 24x16	10
55	J900001001600	BOLT FLANGED	1
56	94805030010	bracket belly pan front rh	1
57	94808043020	bracket belly pan	1

229480821

62059

* NEW PART

X ON DEMAND

DECAL

RC 390, GP orange 2023 EU 2023

POS	PARTNUMBER		PIECE
1	94808098040	Decal tank black	2



239480831

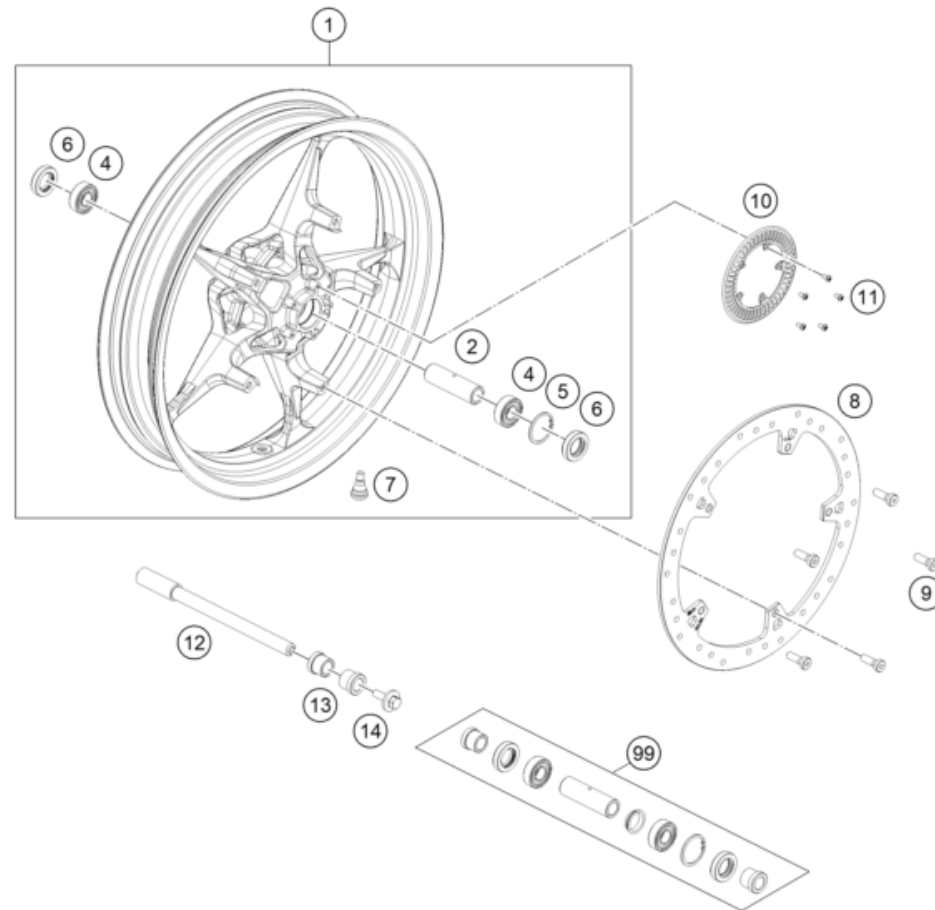
62297

* NEW PART

X ON DEMAND

FRONT WHEEL

RC 390, GP orange 2023 EU 2023



POS	PARTNUMBER		PIECE
1	94609101044C1	FRONT WHEEL BLACK - NON HD	1
2	94509011000	SPACER	1
4	J410003001300	BEARING 30X55X13	1
5	J710005500200	CIRCLIP INTERNAL	1
6	J780003955000	seal oil	2
7	90109076000	VALVE CPL.	1
8	94509060000	DISC BRAKE DIA 320	1
9	J900000602504	bolt socket M6x25	5
10	94542020000	Sensor wheel, front	1
11	J900000500800	BOLT SOCKET M5X0.8	5
12	93009081100	AXLE FRONT MY17	1
13	94509012000	COLLAR	2
14	94509082000	BOLT FLANGED M24X1.5	1

229460910

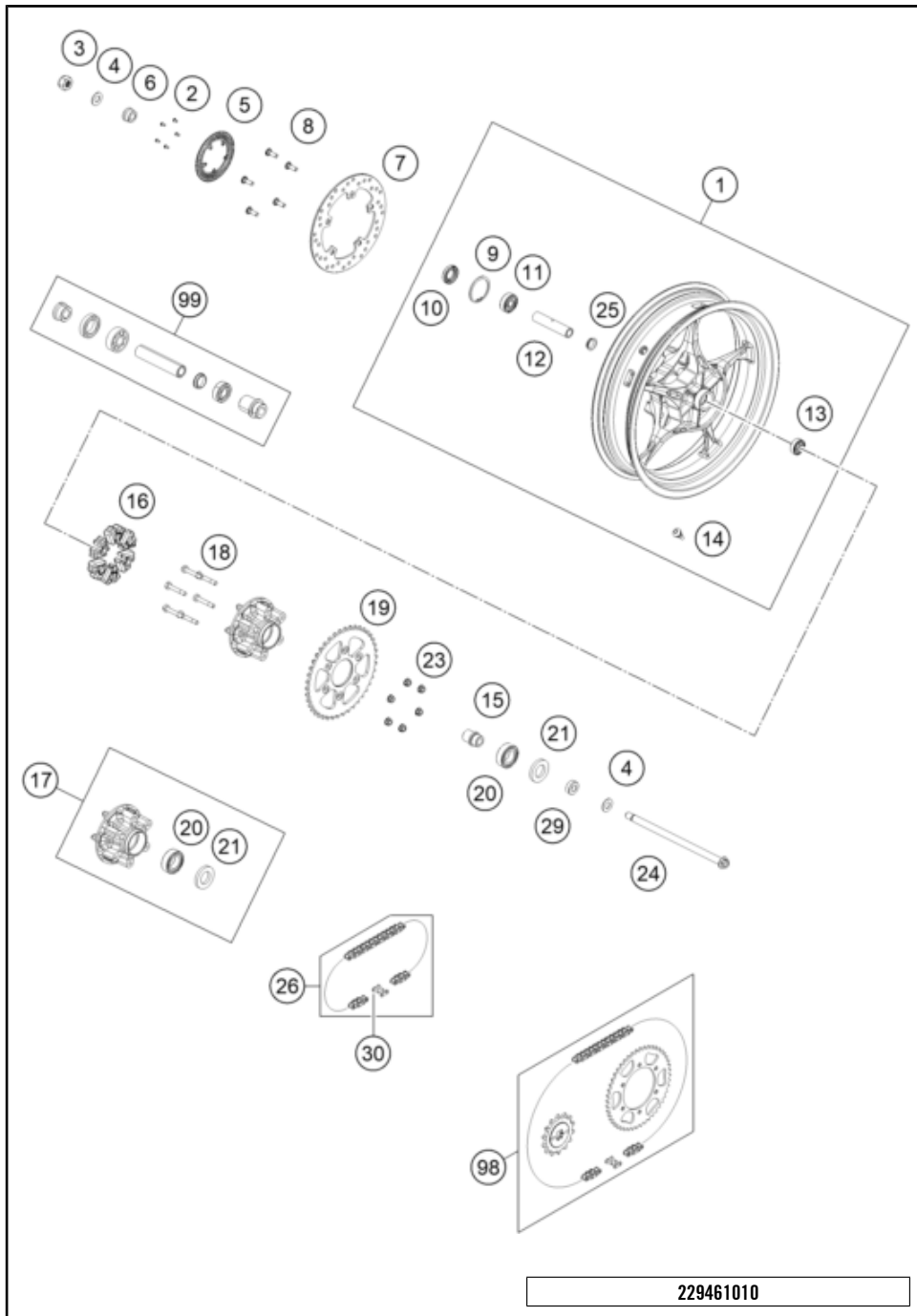
59514

* NEW PART

X ON DEMAND

REAR WHEEL

RC 390, GP orange 2023 EU 2023



229461010

POS	PARTNUMBER		PIECE
1	94610101044C1	Rear Wheel CPL -RC390 Black	1
2	J900000500800	BOLT SOCKET M5X0.8	5
3	90210086000	wheel spindle nut, rear	1
4	90610087000	washer 15.2x30x2	2
5	94542020000	Sensor wheel, front	1
6	90110013000	SPACER BUSHING REAR WHEEL R/S	1
7	94510060000	DISC BRAKE DIA 230	1
8	90110062000	SPECIAL SCREW M8X25 SELF LOCK.	5
9	J472042176	Lock ring, 42x1.7	1
10	J760264208	SHAFT SEAL RING 26X42X8	1
11	J625063021	Grooved ball bearing 6302	1
12	90110011000	BEARING SPACER TUBE REAR	1
13	J625062023	BALL BEARING 6202	1
14	90109076000	VALVE CPL.	1
15	90610054000	SPACER BUSHING KRT INSIDE	1
16	90210059100	rear wheel dampening rubber	6
17	90210050000	SPROCKET SUPPORT	1
18	90810052000	SPECIAL SCREW M8X48	6
19	94810051044	SPROCKET -44T	1
20	J625062050	BALL BEARING 6205	1
21	J760295207	SHAFT SEAL RING 29X52X7	1
23	90510052000	FLANGED NUT M8X1,25	6
24	90210085000	Axle rear KT03	1
25	90109011001	Fixation bearing spacer tube	1
26	76910065118	chain DID 118 roll	1
29	90110053000	SPACER CHAIN WHEEL SUPPORT	1
30	76910066000	Rivet link chain DID 520 VP2-T	1
98	SPA2151443K118B	Drivetrain kit 15Z/44Z	1
99	90110015100	REAR WHEEL REP. KIT 390 DUKE	x

59515

* NEW PART

X ON DEMAND



229481110

POS	PARTNUMBER		PIECE
1	94811075000	harness wiring	1
2	90511030000	indicator relay	1
3	28111096000	Transil unit	1
4	95842090000	SENSOR LEAN ANGLE	1
5	J025060251	bolt flanged-m6x1x125xcl8.8xblak	2
6	90511034000	voltage regulator	1
7	J025060303	FLANGED BOLT M6X30 WS10	2
8	94511059000	cable relay-motor starter	1
9	94511063000	cable earth	1
10	93811099000	wiring harness temperatur sensor	1
11	93511084000	PIGTAIL PH-3 FUEL PUMP	1
12	J025060122	Hex collar screw M6X12	3
13	J797060003	TOOTHED WASHER M6	3
14	94511060000	horn	1
15	90611057000	relay (interlock)	5
16	75011088010	FUSE 10A 07	11
16	75011088015	FUSE 15A 07	4
16	75011088030	FUSE 30A	1
17	93011058000	Starter relais	1
18	94511054000	electric carrier	1
19	90611053000	BATTERY 12V/8AH	1
20	90508006001	SOCKET HEAD BOLT M6X12	4
21	60006001022	rubber grommet 9x11x16x8.5 mm	4
22	94511055000	battery grommet box	1
23	J900000602400	BOLT SOCKET M6X1	2
24	J690000600200	washer plain	2
25	93311058000	Rubber damper starter relay	1
26	95842092020	cover sensor lean angle upper	1
27	95842092010	cover sensor lean angle lower	1
99	90838091000	Pigtail oil pressure switch	1
99	93042033000	Cable earth ABS	1

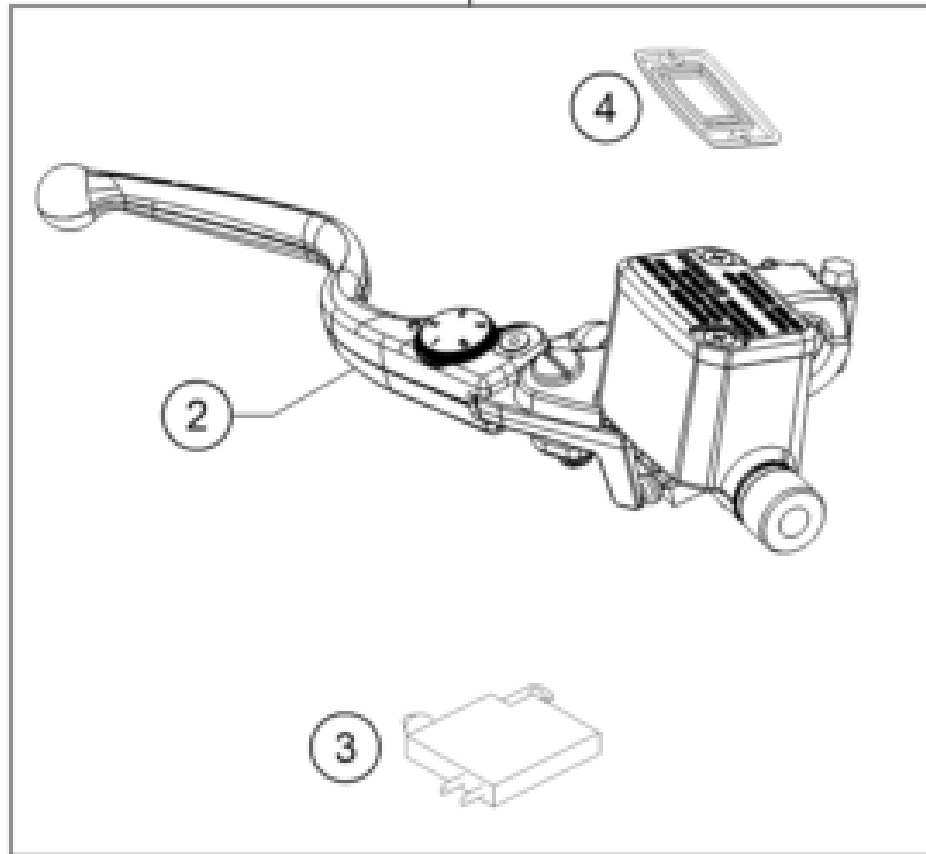
58376

* NEW PART

X ON DEMAND

FRONT BRAKE CONTROL

RC 390, GP orange 2023 EU 2023



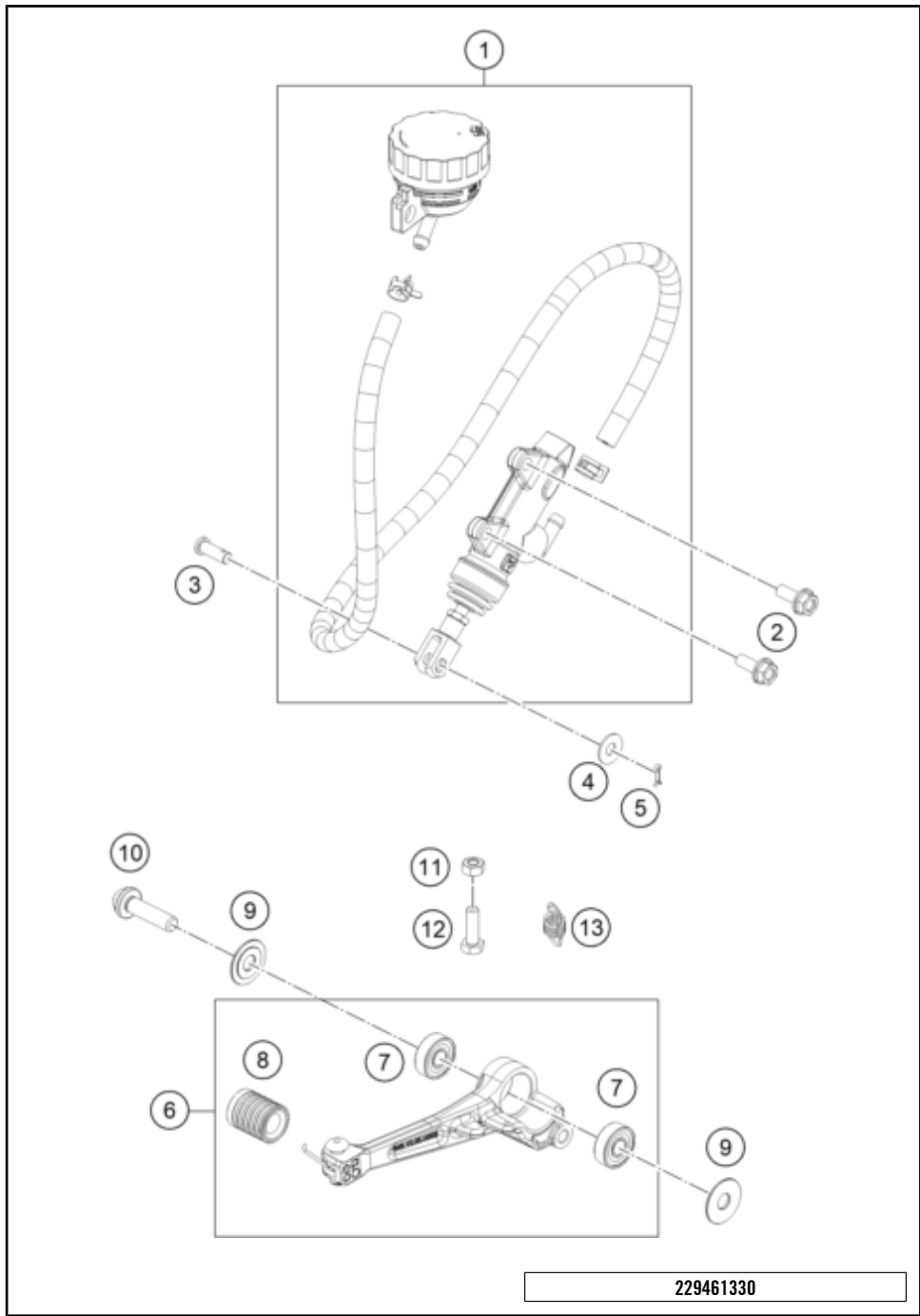
POS	PARTNUMBER		PIECE
1	93713001000	MASTER CYLINDER CPL.	1
2	93713002033	Brake lever cpl.	1
3	90111050000	brake light switch, front	1
4	90113001007	MEMBRANE	1

229481310

58369

* NEW PART

X ON DEMAND



POS	PARTNUMBER		PIECE
1	94813060033	CYLINDER ASSEMBLY MASTER REAR	1
2	90130059000	HH COLLAR SCREW M6X16	2
3	J920000602100	pin clevis dia 6	1
4	J125070001	Washer nylon 6.5X16X1	1
5	J094020153	splint pin 2x15mm	1
6	94513050044	Rear brake lever compl.	1
7	J625060800	BALL BEARING 608	2
8	95834035000	Pedal rubber	1
9	90534031020	WASHER SHIFTING LEVER	2
10	90534034300	BOLT SHIFT LEVER	1
11	J934060001	nut hex thick	1
12	J900000602003	BOLT-KAA ST-D DIA-06 L-20	1
13	90113052000	brake pedal spring	1

229461330

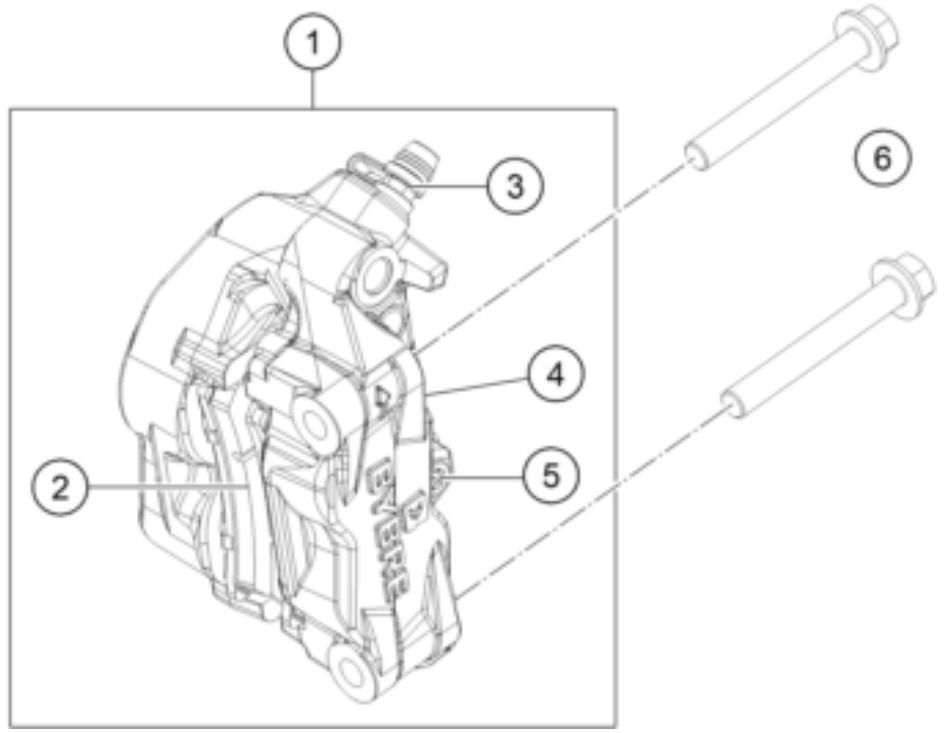
57863

* NEW PART

X ON DEMAND

FRONT BRAKE CALIPER

RC 390, GP orange 2023 EU 2023



POS	PARTNUMBER		PIECE
1	94813015000	CALIPER ASSEMBLY FRONT	1
2	90813030000	BRAKE PAD FRONT TT2910HH	1
3	90113021000	BLEEDER SCREW	1
4	90113018000	SPRING CLIP	1
5	90113017000	BOLT F. BRAKE PADS	1
6	J01008060S	HH collar screw M8x1x60	2

229461360

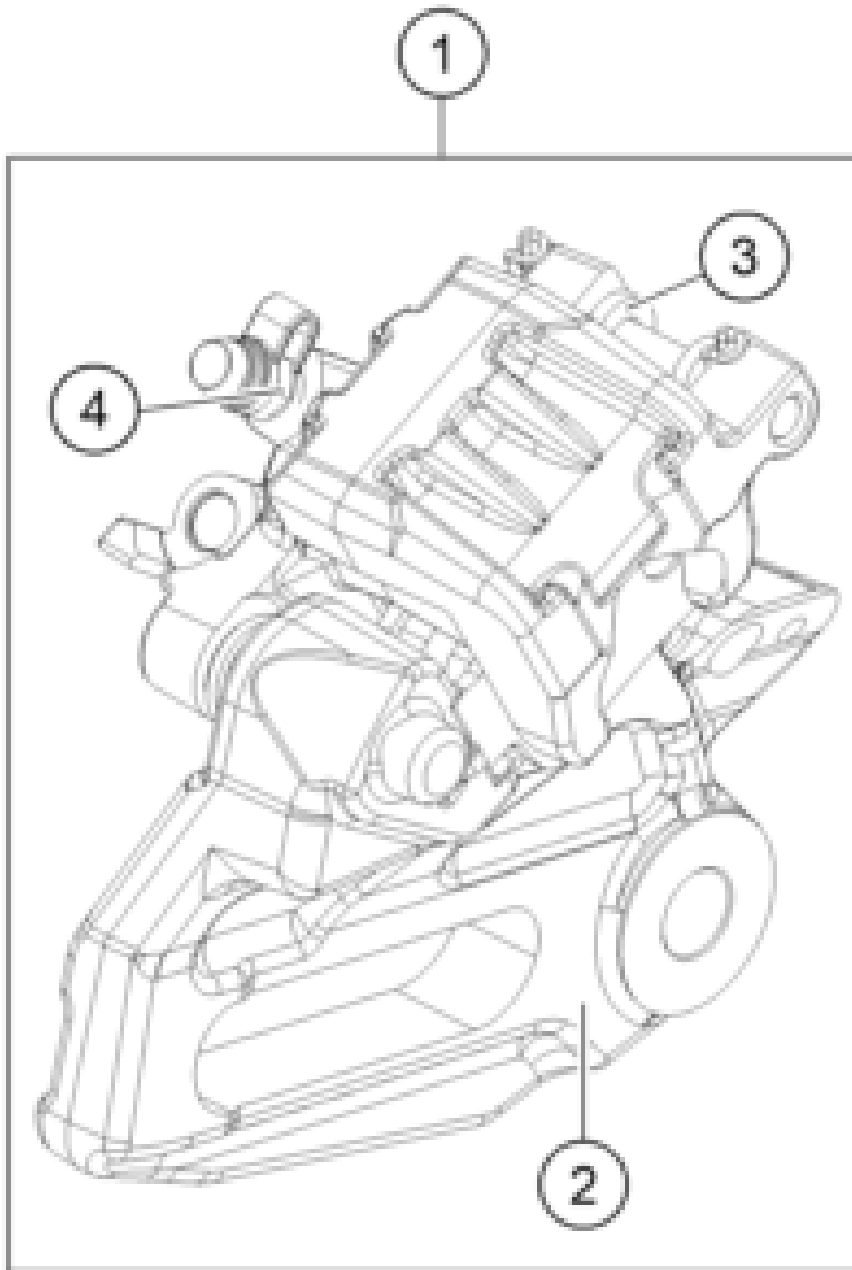
58368

* NEW PART

X ON DEMAND

REAR BRAKE CALIPER

RC 390, GP orange 2023 EU 2023



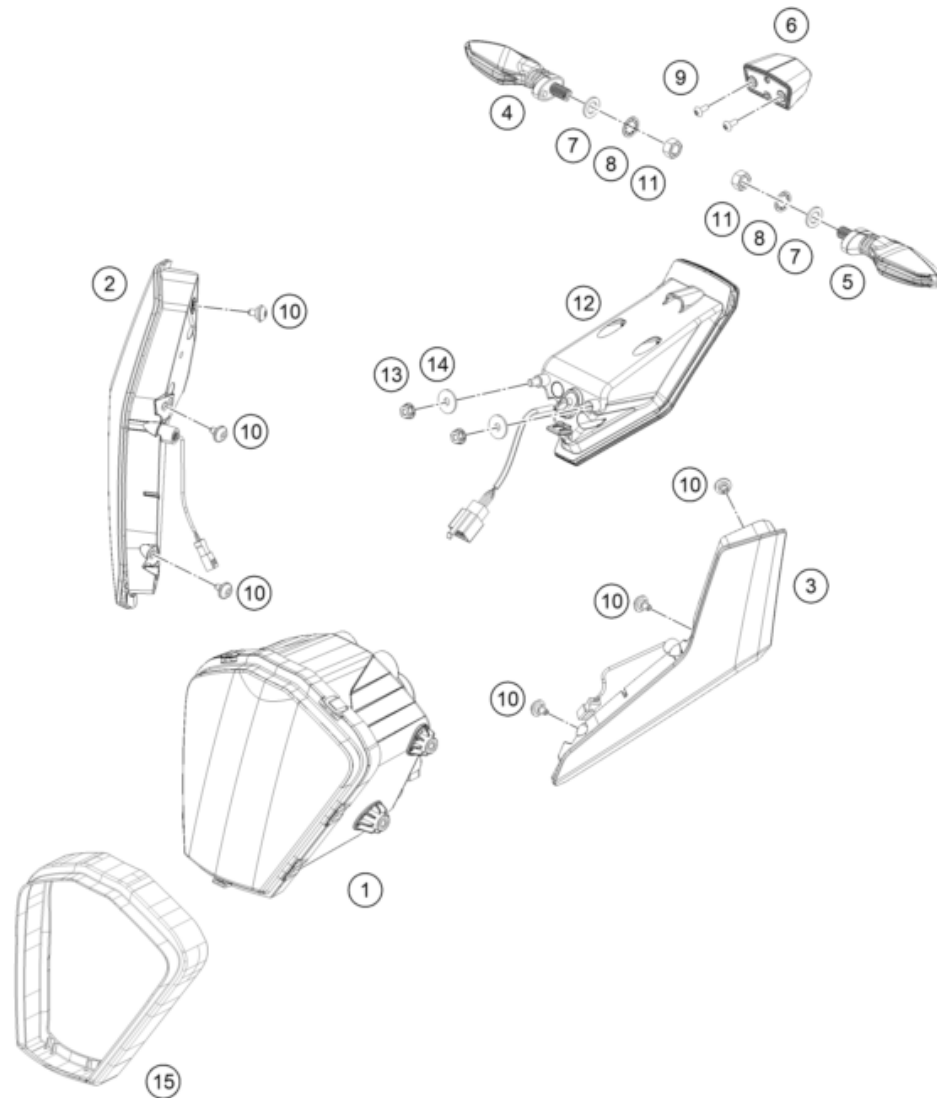
POS	PARTNUMBER		PIECE
1	94513080000	CALIPER ASSEMBLY REAR	1
2	90113075000	BRAKE CALIPER SUPPORT REAR	1
3	90113090000	REAR BRAKE PADS - SET	1
4	90113121000	BLEEDER SCREW	1

229461390

57860

* NEW PART

X ON DEMAND



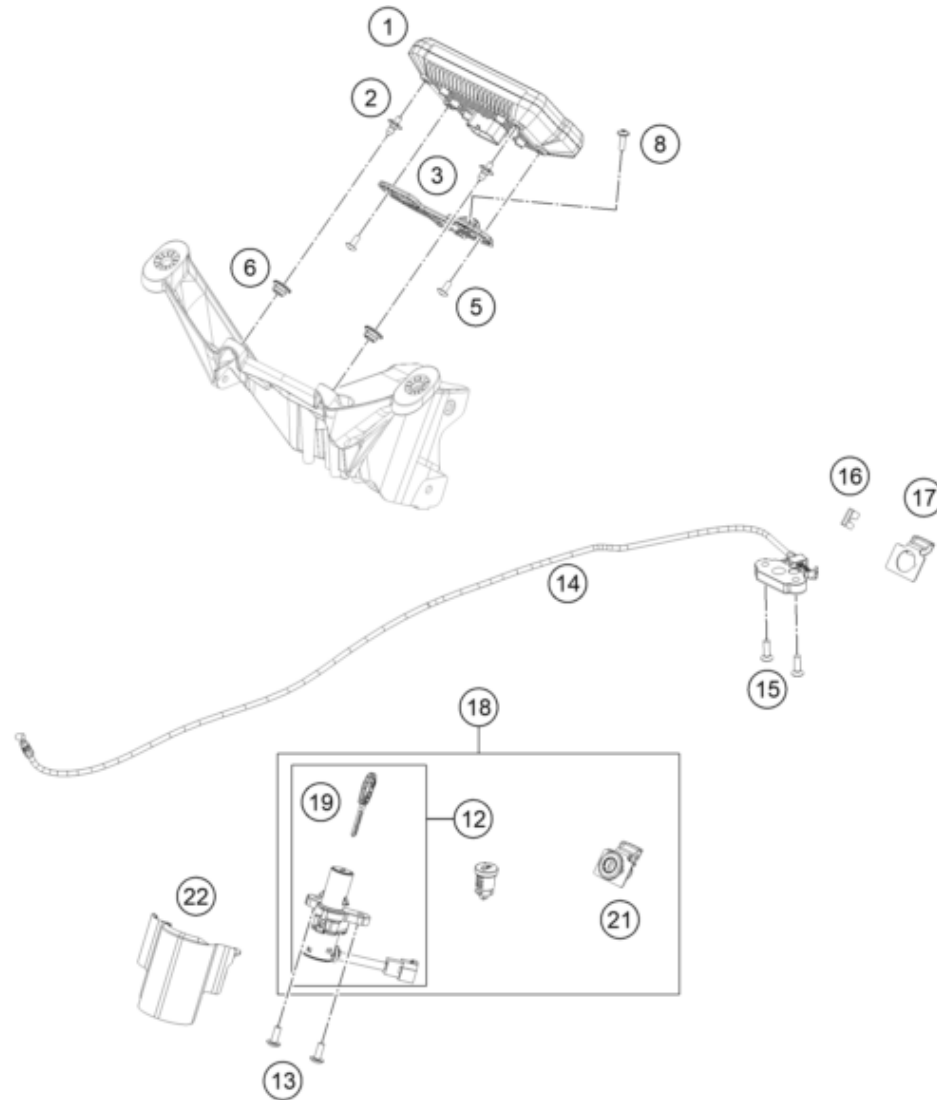
POS	PARTNUMBER		PIECE
1	94814001000	lamp head	1
2	94514026000	Front right turn signal	1
3	94514025000	Front left turn signal	1
4	90514036100	FLASHER REAR R/S	1
5	90514035100	FLASHER REAR L/S	1
6	90114047000	LICENSE PLATE ILLUMINATION	1
7	J125100009	Washer M10	2
8	J06797100183	Toothed washer, M10	2
9	J081040121	CROSS PAN SCREW 4X12 PH	4
10	J900000500900	Screw button head step M5x6.5	6
11	J934100001	Hex nut, M10	2
12	94514040000	Tail light	1
13	J926060000	FLANGED NUT M6 WS10 SELF LOCK.	2
14	90814044000	PLAIN WASHER	2
15	94814001050	beading lamp head	1

229461410

58357

* NEW PART

X ON DEMAND



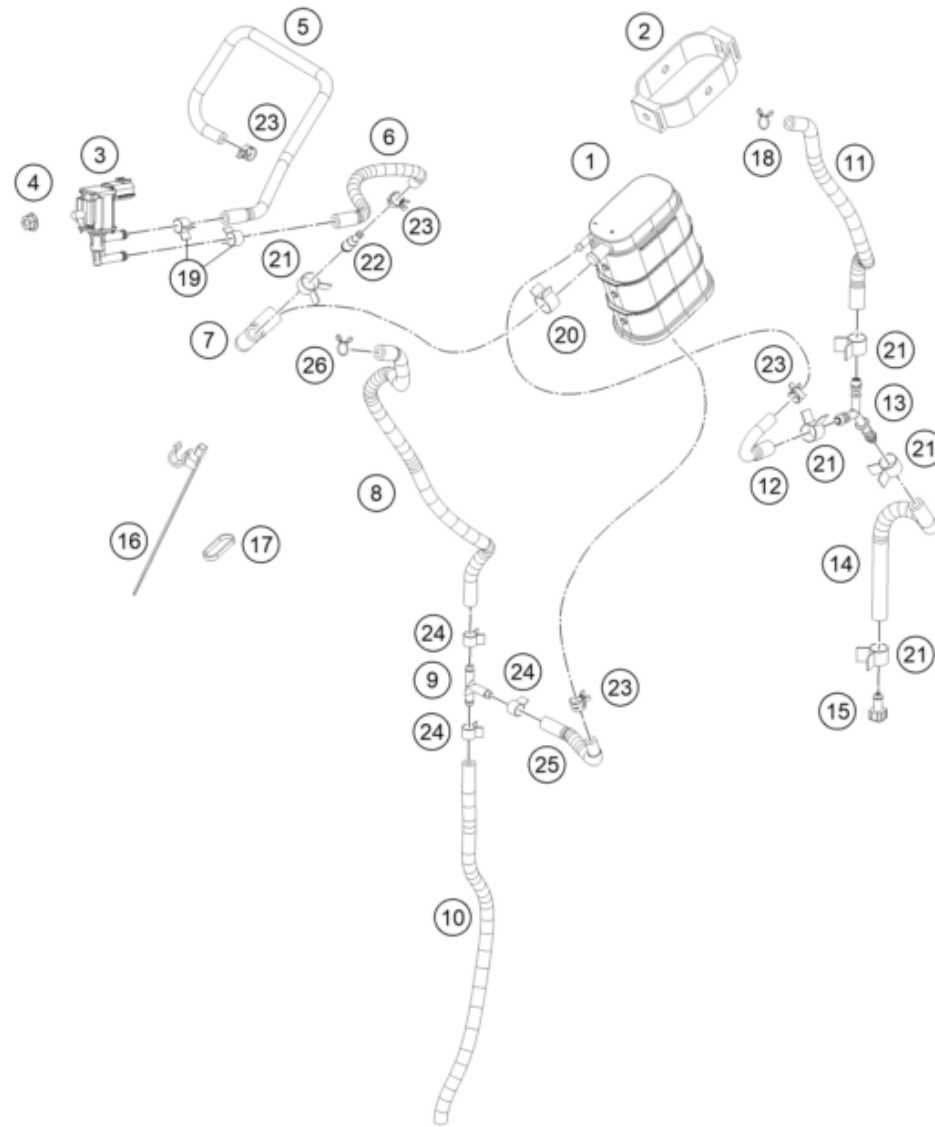
POS	PARTNUMBER		PIECE
1	94814069002	SPEEDOMETER	1
2	94514060010	PIN SPIGOT	2
3	94614060000	BRACKET SPEEDOMETER	1
5	J900000501002	SCREW TRUSS-M5X0.8XL 10XBLACK	2
6	J650002001100	GROMMET	2
8	J900000601601	screw m6x1	1
12	21011066000	ADV. 390 IGNITION SWITCH	1
13	J900000601601	screw m6x1	2
14	94507050033	Seat lock preass.	1
15	J025060183	HH COLLAR SCREW M6X18 SW10	2
16	90107050151	PLATE SEAT LOCK	1
17	90107050051	seat lock mounting plate	1
18	94611066044	LOCK 3 IN 1 WITHOUT CAP EVP	1
19	90111067100	BLANK KEY 125/200 DUKE	x
19	90111067000	KEY	1
21	90107050050	SEAT LOCK	1
22	94511068000	COVER SWITCH IGNITION	1

229461430

58377

* NEW PART

X ON DEMAND



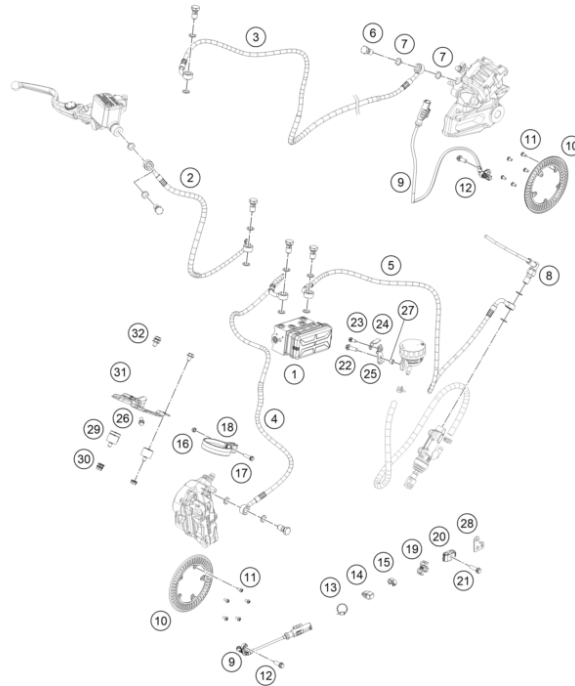
POS	PARTNUMBER		PIECE
1	93015001000	Activated carbon filter	1
2	94515002000	STRAP CANISTER	1
3	90607830000	Valve purge	1
4	J926060006	nut hex flanged	1
5	94515020285	pipe fuel	1
6	94515020196	PIPE FUEL	1
7	94515020075	PIPE FUEL	1
8	94515020383	Drain hose	1
9	J610000600400	CONNECTOR FOR BREATHER AND VAPOR TUBE	1
10	J600000532300	Drain hose	1
11	94515020275	PIPE FUEL	1
12	94515020080	PIPE FUEL	1
13	90507015000	CONNECTOR Y SHAPE	1
14	94515020186	PIPE FUEL	1
15	90515011000	PLUG FUEL DRAIN	1
16	95835068000	Strap-clip swivel	1
17	90111093200	BAND (LENGTH 200MM)	1
18	90107013008	CLAMP	1
19	90107018011	CLAMP 10MM	2
20	90607017001	SPRING BAND CLAMP 15X10	1
21	90607017003	SPRING BAND CLAMP D13	5
22	90207016004	CONNECTOR TUBE EVAP	1
23	J300000801000	Spring clip 9.5	4
24	90607017002	CLAMP D9	4
25	94515020092	Drain hose	1
26	90507017000	HOSE CLAMP	1

229461510

58375

* NEW PART

X ON DEMAND



POS	PARTNUMBER		PIECE
1	94842031044	ABS Unit WET	1
2	94842001000	HOSE CYLINDER MASTER FR-UNIT ABS	1
3	94842004000	Brake line, rear	1
4	94842003000	HOSE UNIT ABS-CALIPER FRONT	1
5	94842002000	HOSE CYLINDER MASTER RR-UNIT ABS	1
6	90113013000	BANJO SCREW	7
7	90113026000	COPPER GASKET	16
8	90111051000	brake light switch, rear	1
9	96342025000	Wheel speed sensor	2
10	94542020000	Sensor wheel, front	1
11	J900000500800	BOLT SOCKET M5X0.8	10
12	J900000601606	BOLT-FLANGE-KAE ST-F DIA-06 L-16	2
13	93811093000	BAND	3
14	JF131871	Dummy_SPC_Bajajteil CLIP SEPARATOR	1
15	93813035000	CLAMP SENSOR CABLE	4
16	J910000800500	NUT NYLOC-M5X0.8XHT. 4.5XCL6XBLK	1
17	J900000502001	Sechskantschraube mit Bund M5x20	1
18	J320001505300	CLAMP	1
19	94513026000	Brake hose bracket	1
20	94801085000	clamp	2
21	J900000602201	BOLT-FLANGED-SMALL	2
22	J025060181	Hex collar screw M6X18	1
23	J025050103	HH-COLLAR SCREW M5X10	1
24	93013068010	Bracket, reservoir	1
25	93013068000	Sheet	1
26	J025060109	HH-COLLAR SCREW M6X10 SW8	2
27	93035065020	Spacer bushing	1
28	94513046000	PLATE CLAMP	1
29	90106001007	SILENT BLOCK AIRFILTER	3
30	J926060000	FLANGED NUT M6 WS10 SELF LOCK.	3
31	90642040000	BRACKET ABS MOUNTING	1
32	J900000601801	bolt-flange-kad st-f dia-06 l-08	3

239484210

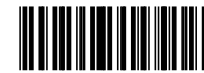
62084

* NEW PART

X ON DEMAND

A large, empty rectangular box with a thin black border, occupying most of the page. It is intended for the user to write their notes.

KTM.COM



F5303W1EN

KTM Sportmotorcycle GmbH
5230 Mattighofen, Austria
www.ktm.com

KTM POWERPARTS

KTM POWERWEAR

KTM ORIGINAL SPARE PARTS

