

**Components:**

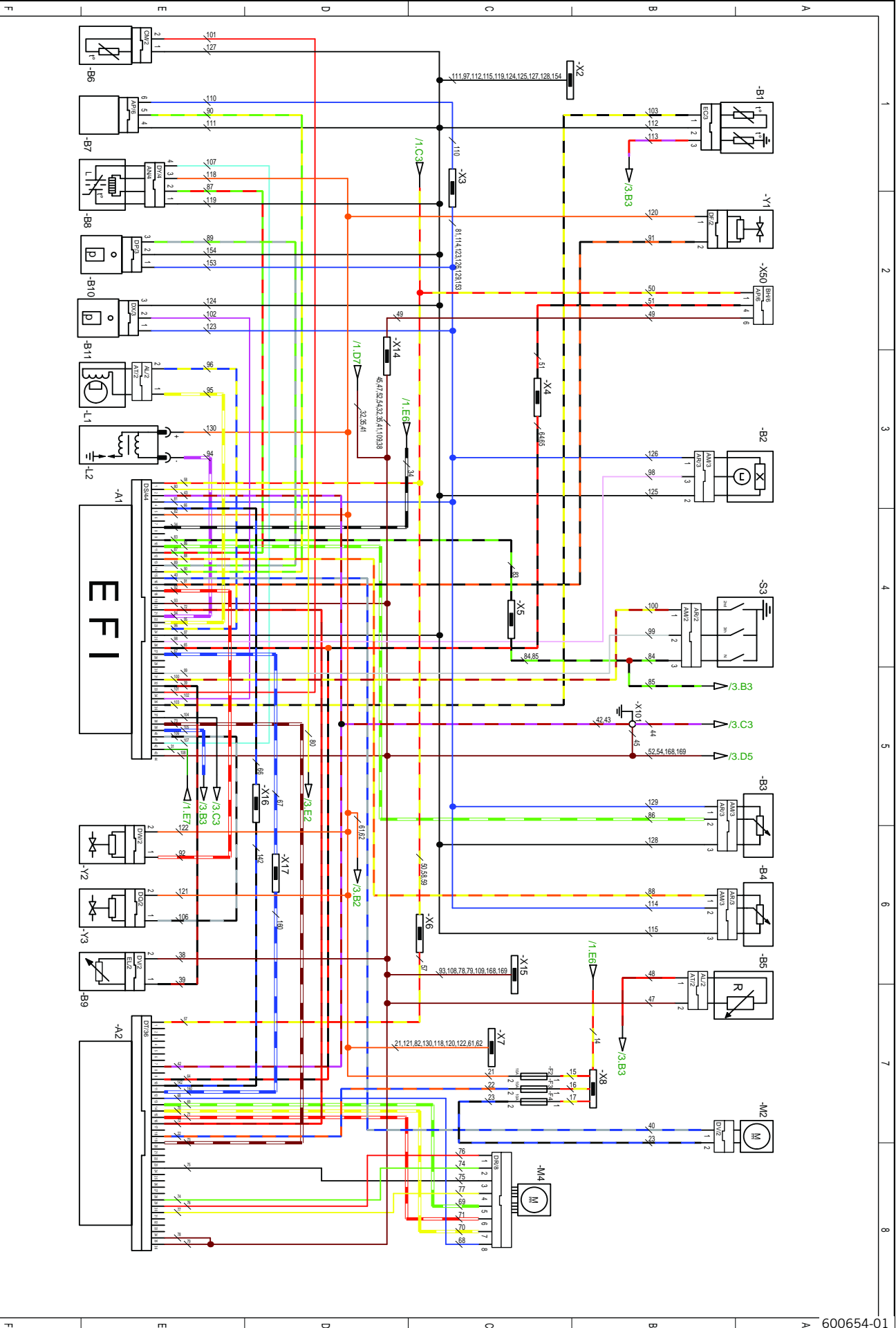
|    |  |
|----|--|
| G1 | Battery <b>A-B7</b>                      |
| G2 | Generator <b>C8</b>                      |
| K1 | Starter relay with main fuse <b>A-B6</b> |
| K2 | Light relay <b>E5</b>                    |
| K3 | Power relay <b>E6</b>                    |
| K4 | Start auxiliary relay <b>E7</b>          |
| M1 | Starter motor <b>A-B6</b>                |
| N1 | Voltage regulator / rectifier <b>B8</b>  |
| S1 | Emergency OFF switch <b>A-B/1-2</b>      |
| S2 | Ignition/steering lock <b>A-B/2-3</b>    |

**Cable colors:**

|    |             |
|----|-------------|
| gn | green       |
| 1  | red         |
| 2  | red         |
| 3  | red         |
| 4  | red         |
| 5  | red         |
| 6  | red         |
| 7  | red         |
| 8  | red         |
| 9  | green       |
| 14 | yellow-red  |
| 18 | red         |
| 19 | red         |
| 20 | yellow      |
| 29 | black-red   |
| 30 | black-red   |
| 31 | green       |
| 32 | brown       |
| 33 | blue-red    |
| 34 | white-black |
| 35 | brown       |
| 36 | red         |
| 37 | red         |
| 41 | brown       |
| 59 | yellow-red  |
| 60 | yellow-red  |



690 Enduro 2008  
690 SMC 2008



**Components:**

|     |   |
|-----|---|
| A1  | EFI control unit <b>E4-5</b>                          |
| A2  | EPT control unit <b>E7-8</b>                          |
| B1  | Coolant liquid temperature sensor <b>A-B1</b>         |
| B2  | Sidestand switch <b>A-B3</b>                          |
| B3  | Throttle twist grip sensor <b>A6</b>                  |
| B4  | Throttle position sensor <b>A6</b>                    |
| B5  | Fuel level indicator <b>A6-7</b>                      |
| B6  | Intake air temperature sensor <b>E1</b>               |
| B7  | Roll over sensor <b>E1</b>                            |
| B8  | Lambda probe <b>E1-2</b>                              |
| B9  | <b>Map-Select</b> switch <b>E6-7</b>                  |
| B10 | Ambient air pressure sensor <b>E2</b>                 |
| B11 | Manifold absolute pressure sensor <b>E2</b>           |
| L1  | Ignition pulse generator <b>E3</b>                    |
| L2  | Ignition coil <b>E3</b>                               |
| M2  | Fuel pump <b>A7-8</b>                                 |
| M4  | Throttle stepper motor <b>C8</b>                      |
| S3  | Gear position sensor <b>A-B4</b>                      |
| X50 | Diagnostics connector <b>A2</b>                       |
| Y1  | Fuel evaporation valve (USA version only) <b>A-B2</b> |
| Y2  | Secondary air valve <b>E6</b>                         |
| Y3  | Injection valve <b>E6</b>                             |

**Cable colors:**

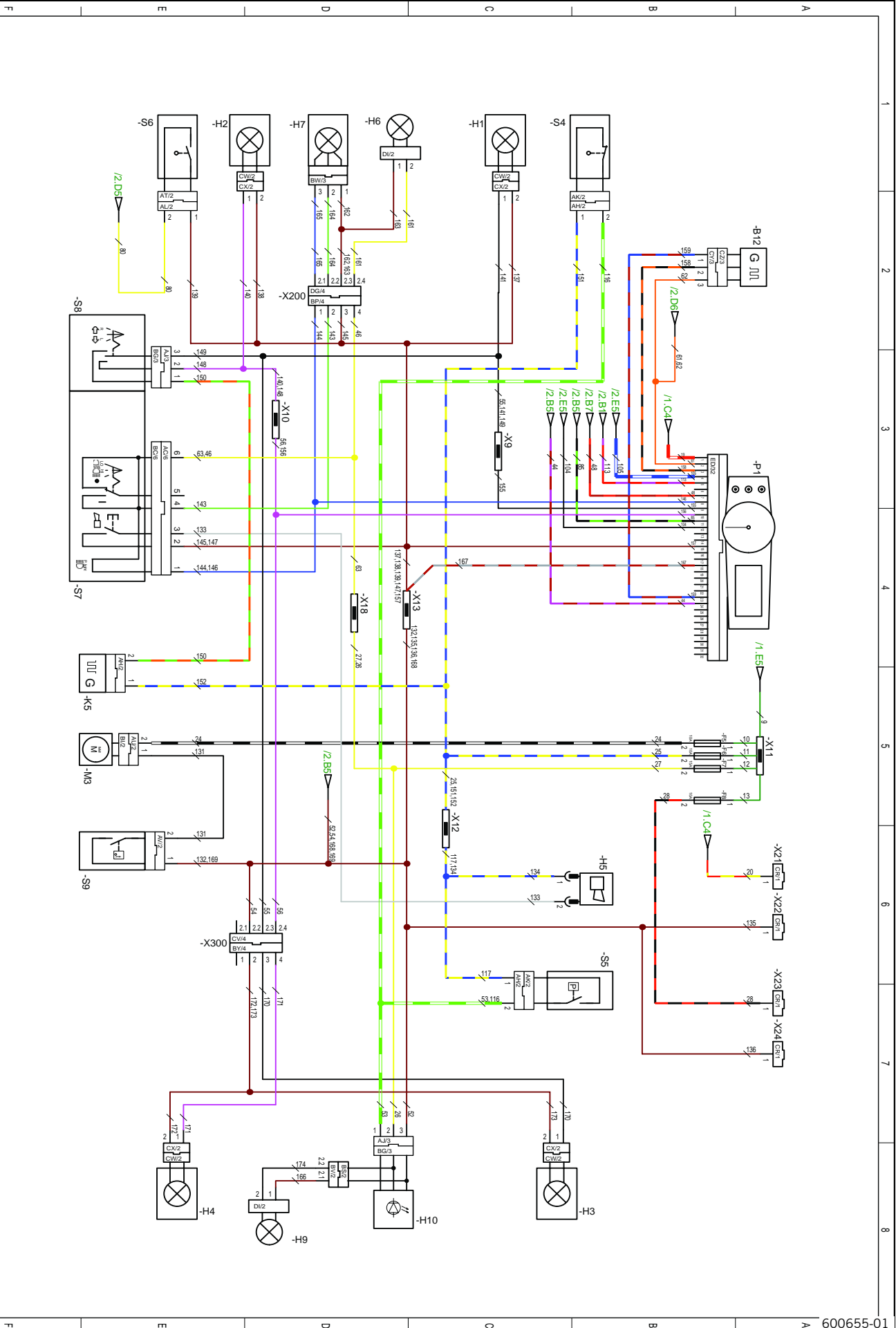
|    |              |
|----|--------------|
| 14 | yellow-red   |
| 15 | yellow-red   |
| 16 | yellow-red   |
| 17 | yellow-red   |
| 21 | orange       |
| 22 | blue-orange  |
| 23 | black-blue   |
| 31 | green        |
| 32 | brown        |
| 34 | white-black  |
| 35 | brown        |
| 38 | brown        |
| 39 | black-brown  |
| 40 | blue-gray    |
| 41 | brown        |
| 42 | brown-violet |
| 43 | brown-violet |
| 44 | brown-violet |
| 45 | brown        |
| 46 | yellow       |
| 47 | brown        |
| 48 | brown-red    |
| 49 | brown        |
| 50 | yellow-red   |
| 51 | black-red    |
| 52 | brown        |
| 53 | white-green  |
| 54 | brown        |

|     |               |
|-----|---------------|
| 57  | yellow-red    |
| 58  | yellow-red    |
| 59  | yellow-red    |
| 61  | orange        |
| 62  | orange        |
| 63  | yellow        |
| 64  | black-red     |
| 65  | black-red     |
| 66  | black-blue    |
| 67  | white-blue    |
| 68  | blue          |
| 69  | white-green   |
| 70  | white-yellow  |
| 71  | white-red     |
| 72  | brown-red     |
| 73  | white-brown   |
| 74  | green         |
| 75  | black         |
| 76  | red           |
| 77  | yellow        |
| 78  | brown         |
| 79  | brown         |
| 80  | yellow        |
| 81  | blue          |
| 82  | orange        |
| 83  | black-green   |
| 84  | black-green   |
| 85  | black-green   |
| 86  | white-green   |
| 87  | green-red     |
| 88  | yellow-orange |
| 89  | green-gray    |
| 90  | yellow-green  |
| 91  | black-orange  |
| 92  | white-red     |
| 93  | brown         |
| 94  | white-violet  |
| 95  | white-yellow  |
| 96  | yellow-blue   |
| 97  | black         |
| 98  | pink          |
| 99  | gray          |
| 100 | yellow-brown  |
| 101 | red           |
| 102 | violet        |
| 103 | black-yellow  |
| 104 | white         |
| 105 | white         |
| 106 | black-gray    |
| 107 | light blue    |
| 108 | brown         |
| 109 | brown         |

|     |            |
|-----|------------|
| 110 | blue       |
| 111 | black      |
| 112 | black      |
| 113 | red-violet |
| 114 | blue       |
| 115 | black      |
| 118 | orange     |
| 119 | black      |
| 120 | orange     |
| 121 | orange     |
| 122 | orange     |
| 123 | blue       |
| 124 | black      |
| 125 | black      |
| 126 | blue       |
| 127 | black      |
| 128 | black      |
| 129 | blue       |
| 130 | orange     |
| 142 | black-blue |
| 153 | blue       |
| 154 | black      |
| 160 | white-blue |
| 168 | brown      |
| 169 | brown      |



690 Enduro 2008  
690 SMC 2008



**Components:**

|     |   |
|-----|---|
| B12 | Wheel speed sensor <b>A2</b>                                    |
| H1  | Flasher, front right <b>C1</b>                                  |
| H2  | Flasher, front left <b>D-E1</b>                                 |
| H3  | Flasher, rear right <b>B-C8</b>                                 |
| H4  | Flasher, rear left <b>E8</b>                                    |
| H5  | Horn <b>B6</b>  |
| H6  | Parking light <b>C-D1</b>                                       |
| H7  | Low beam/high beam <b>D1</b>                                    |
| H9  | Licence plate lamp <b>D8</b>                                    |
| H10 | Brake / tail light <b>C-D8</b>                                  |
| K5  | Flasher relay <b>E4-5</b>                                       |
| M3  | Radiator fan <b>E5</b>  |
| P1  | Combination instrument <b>A3-4</b>                              |
| S4  | Brake light switch, front <b>B1</b>                             |
| S5  | Brake light switch, rear <b>B-C/6-7</b>                         |
| S6  | Clutch switch <b>E1</b>   |
| S7  | Horn button, light switch, headlight flasher switch <b>E3-4</b> |
| S8  | Flasher switch <b>E2-3</b>                                      |
| S9  | Thermoswitch <b>E6</b>  |
| X21 | Plug-in connector for accessories (clamp 30) <b>A6</b>          |
| X22 | Plug-in connector for accessories (clamp 31) <b>A6</b>          |
| X23 | Plug-in connector for accessories (clamp 15) <b>A7</b>          |
| X24 | Plug-in connector for accessories (clamp 31) <b>A7</b>          |
| 10  | green   |
| 11  | green   |
| 12  | green   |
| 13  | green   |
| 20  | yellow  |
| 24  | white-black   |
| 25  | yellow-blue   |
| 27  | yellow  |
| 28  | yellow-red  |
| 53  | white-green   |
| 62  | orange  |
| 116 | white-green   |
| 117 | yellow-blue   |
| 133 | gray  |
| 134 | yellow-blue   |
| 135 | brown   |
| 136 | brown   |
| 158 | black-orange  |
| 159 | blue-brown  |
| 166 | brown   |
| 170 | black   |
| 171 | violet  |
| 172 | brown   |
| 173 | brown   |
| 174 | white   |